



Rex Conveyor Idlers



Table Of Contents

DESCRIPTION	PAGE
Rex Idlers Classification and Nomenclature	4
Rex Idlers Basic Information	5, 6
Rex Idlers Seals	7
REX CLASSIC IDLERS	
Rex Classic Idlers Basic Information	9
Series B+ Rex Classic Idlers	10, 11
Series B+ Dimensions	12 - 19
Series C Rex Classic Idlers	20, 21
Series C Dimensions	22 - 39
Series D Rex Classic Idlers	40, 41
Series D Dimensions	42 - 59
Live Shaft Idlers	60, 61
Rex Idler Problem Solvers	62
REXDURA IDLERS	
RexDura Idlers Basic Information	63
Series B RexDura Idlers	64, 65
Series B Dimensions	66 - 75
Series C RexDura Idlers	76, 77
Series C Dimensions	78 - 89
Series D RexDura Idlers	90, 91
Series D Dimensions	92 - 103
Series E RexDura Idlers	104, 105
Series E Dimensions	106 - 114
ORDERING INFORMATION AND TECHNICAL DATA	
Rex Classic Idlers Complete Roll Assemblies	115
Rex Classic Brackets	116, 117
Rex Idlers Weights	118
Determination of Belt Width and Speed	119
Rex Idlers Materials	120, 121
Rex Idlers Selection	122 - 130
Rex Idlers Specifications	131, 132
Installation, Care and Maintenance	133 - 138

Rex Idlers Classification and Nomenclature

CEMA and Rex Idler Classification

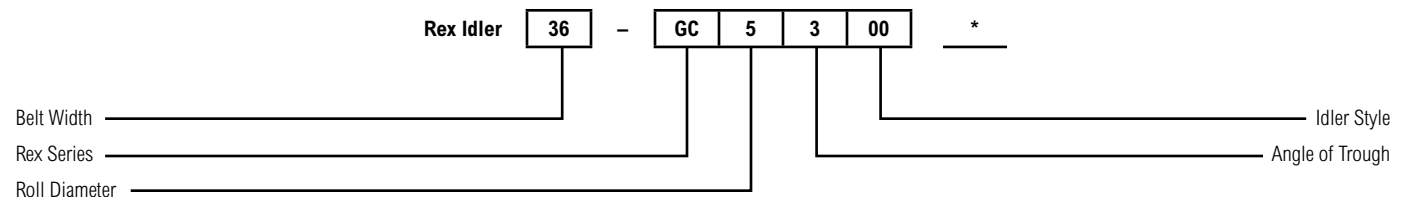
Rex Idler Type	CEMA Class	Roll Diameter inches (mm)	Rex Classic Idlers Bearing Type	RexDura Idlers Bearing Type	Belt Width inches (mm)
Light-duty	B	4 (102) 5 (127)	Roller	Ball	18 to 48 (457 to 1,219)
Medium-duty	C	5 (127) 6 (152)	Roller	Ball	18 to 60 (457 to 1,524)
	D	5 (127) 6 (152)	Roller	Ball	18 to 72 (457 to 1,829)
Heavy-duty	E	6 (152) 7 (178)	—	Ball	36 to 96 (914 to 2,438)
	F	7 (178) 8 (203)	—	Ball	60 to 120 (1,524 to 3,048)

Identification Guide and Ordering Information

The following is an example of the Rex Idler Numbering System.

Rex Idler Model: 36-GC5300FS

This number describes the idler as follows:



Belt Width

in inches

Rex Series

- GB — Rex Classic Series B+
- GC — Rex Classic Series C
- GD — Rex Classic Series D
- DB — RexDura Series B
- DC — RexDura Series C
- DD — RexDura Series D
- DE — RexDura Series E

Roll Diameter

in inches

Angle of Trough

- 0 — Flat
- 2 — 20°
- 3 — 35°
- 4 — 45°

Idler Style

Troughing

* Suffix

- FS — Factory-Sealed
- RG — Regreasable
- U/C — Urethane-Coated
- W/B — Wide Base

NOTE: Specify factory-sealed or regreasable sealing option.

Idler Interchange

Interchangeability is one of the most important features of the Rex Idler line, specifically in the dimensional areas of:

- a. Backing Distance — from the bottom of the base pad to the top of the center roll of troughing idlers.
- b. Bolt Hole Spacing — across the width of the conveyor frame for troughing and return idlers. (Belt width plus 9")

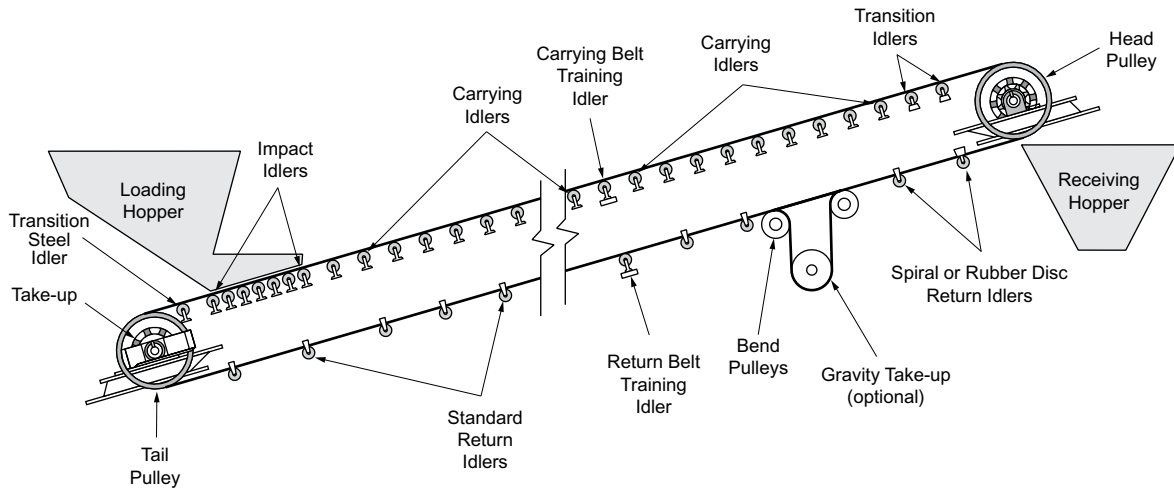
Rex Idlers conform to the CEMA dimensional standards and are interchangeable with competitive idlers listed below.

Manufacturer	CEMA B	CEMA C	CEMA D	CEMA E
Rexnord	Series B+	Series C	Series D	Series E
Continental Conveyor	B Plus	H	H Plus	SDX
Goodman Conveyor	B	C	D	E
Hewitt-Robins	B	2000	3000	4000
FMC-Link Belt	B2000	C3000	D3000	E4000
Precismeca	PB	PC	PD	PE
Precision Idler	B	C	—	—
Stephens-Adamson	2174-2175	4205-4206	5195-5196	6326-6327
Superior Machinery	60/61/71	80/81	—	—

Rexnord Basic Information

The Belt Conveyor

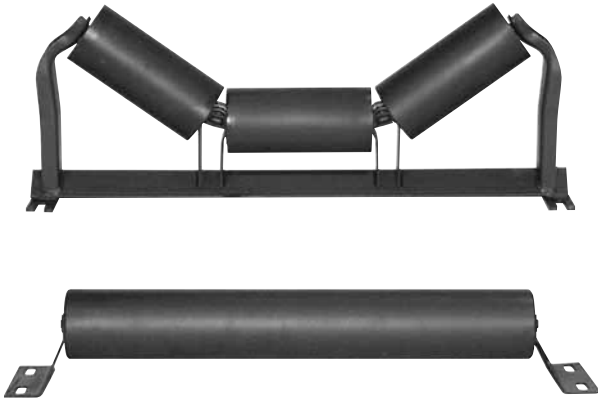
The following is a simplified conveyor, used to illustrate basic belt conveyor components. Unlimited variations of elevation, loading, discharge, idlers and idler spacing, pulleys and accessories are possible.



Types of Idlers

Carrying Idlers (Troughing or Flat)

Support the belt in the section of the conveyor that transports the material. These idlers may be flat or troughed to shape the belt to prevent spillage and are available in 20°, 35° and 45° trough angles with equal or unequal roll lengths. Normal spacing is 3 to 5 feet.



Impact Idlers (Troughing or Flat)

Prevent damage to the belt at the loading point. These idlers may be troughing or flat types with grooved, molded rubber rolls. It is standard practice to use impact idlers at all loading and transfer points when the impact force exceeds 40 foot-pounds.

To ensure maximum belt protection for optimum life and to reduce skirtboard leakage, the impact idlers should be at least six-inch diameter and spaced at one-foot intervals.



Rex Idlers Basic Information

Return Idlers

Support the empty belt between the discharge point and the tail pulley. Normal spacing is 10 feet.

- a. **Steel** — Used where materials are not sticky, corrosive or abrasive. Available with urethane covering. Six-inch diameter also available in 1/4" wall thickness.



- b. **Spiral** — Used where sticky materials adhere to the belt, where a corrosive environment is present or abrasive wear is a problem. Unique construction minimizes belt fleet and damage to the return belt due to material buildup on the idler rolls. Spiral roll idlers can be used for belt travel in one direction only.



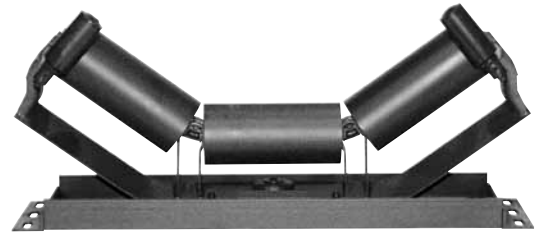
- c. **Disc** — Used under the same conditions as the spiral idler. These idlers can be used for belt travel in either direction. Massed end discs are standard. Ceramic, urethane and rubber disc rolls available.



Carrying Belt Training Idlers (Troughing or Flat)

Assist in keeping the belt centered on the conveyor. Actuating shoe type is used on belt traveling in either direction. Positive type is used on belt traveling in one direction only and is illustrated. Normal spacing is 100 feet and not within 50 feet of the head or tail pulley.

(Urethane rolls enhance trainer effectiveness.)



Return Belt Training Idlers

Used for the same purposes as are carrying training idlers. They are of the actuating shoe type, belt travel — either direction, and the positive belt travel — one direction only. The positive type is illustrated. Normal spacing is 100 feet and not within 50 feet of the head or tail pulley.

(Urethane rolls enhance trainer effectiveness.)

Can also be furnished with spiral or disc rolls.



NOTE: Urethane-covered rolls available — see [page 62](#).

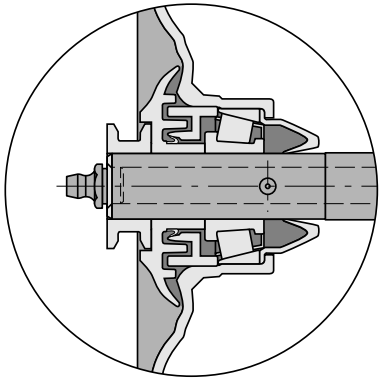
Rex Idlers Seals

Seal Features of B+, C and D

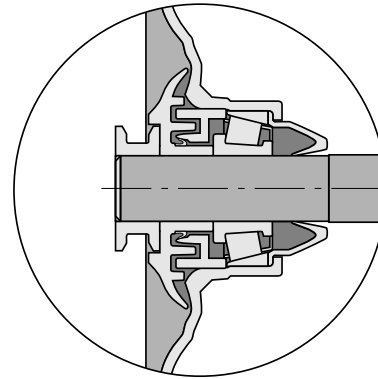
Factory-Sealed: B+ Series has a 17mm “Sealed-For-Life” tapered bearing protected by metal and polymeric covers.

A Special Combination Labyrinth and Outer Shield: B+, C and D Series

Regreasable and Factory-Sealed — The seal has a five-passage labyrinth with a wiping component — filled with grease to block contaminants from reaching the bearing. The inner and outer seals are close tolerance, injection-molded nonmetallic components to retard corrosion. The labyrinth and rear seal retain the lubrication within the bearing cavity. The protective outer shield provides an additional barrier to further delay the penetration of contaminants.



Regreasable
Roller Bearing
Rex Classic: CEMA B+, C, D



Factory-Sealed
Roller Bearing
Rex Classic: CEMA B+, C, D
RexDura: CEMA B, C, D, E

Regreasable

Rex Classic regreasable idlers with the unique labyrinth/shield design are excellent for long, overland conveyors. For installations where water is present or where frequent washdowns are required, regreasing is recommended.

Periodic regreasing will flush the bearings and seals of contaminants to provide extended roll life.

Factory-Sealed

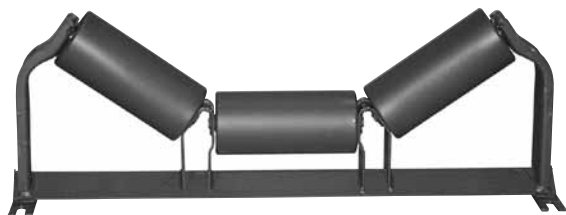
Factory-sealed idlers with the same seal design and a solid shaft are a viable economic alternative for those installations where periodic regreasing will not be provided. All RexDura idlers are factory-sealed.

Intentionally Left Blank

Rex Classic Idlers Basic Information

The Rex Line

There is a Rex Idler to meet your service requirements ranging from intermittent conveying of light materials to continuous conveying of very heavy materials.

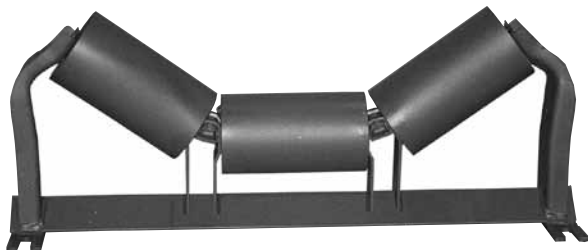


Series B+

Series B+ combines a CEMA B frame with the Rex patented "G" Seal to give longer life. Available in 4" and 5" diameter rolls. Furnished in 18" to 48" belt widths.

Available in regreasable or factory-sealed.

Refer to **pages 10-19**.

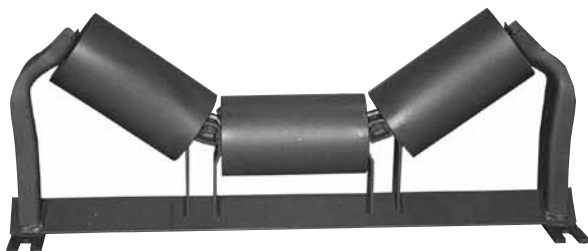


Series C

The medium-duty line exceeds CEMA C specifications using precision tapered roller bearings, available with 5" and 6" diameter rolls. Furnished in a wide selection of styles in 18" to 60" belt widths.

Available in regreasable or factory-sealed.

Refer to **pages 20-39**.



Series D

The medium-duty line exceeds CEMA D specifications, utilizing the Series C idler construction with heavier shafts to provide higher load capacity. Furnished in a wide selection of styles in 24" to 60" belt widths.

Available in regreasable or factory-sealed.

Refer to **pages 40-59**.

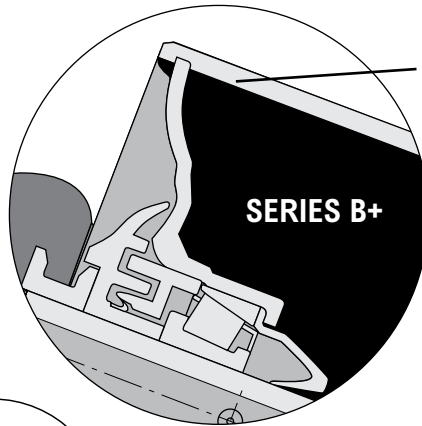
Series B+ Rex Classic Idlers

Series B+ – Factory-Sealed or Regreasable

20° and 35° Trough – 4" and 5" Roll Diameter – 3/4" Shaft

More Capacity with an Option of Relubrication

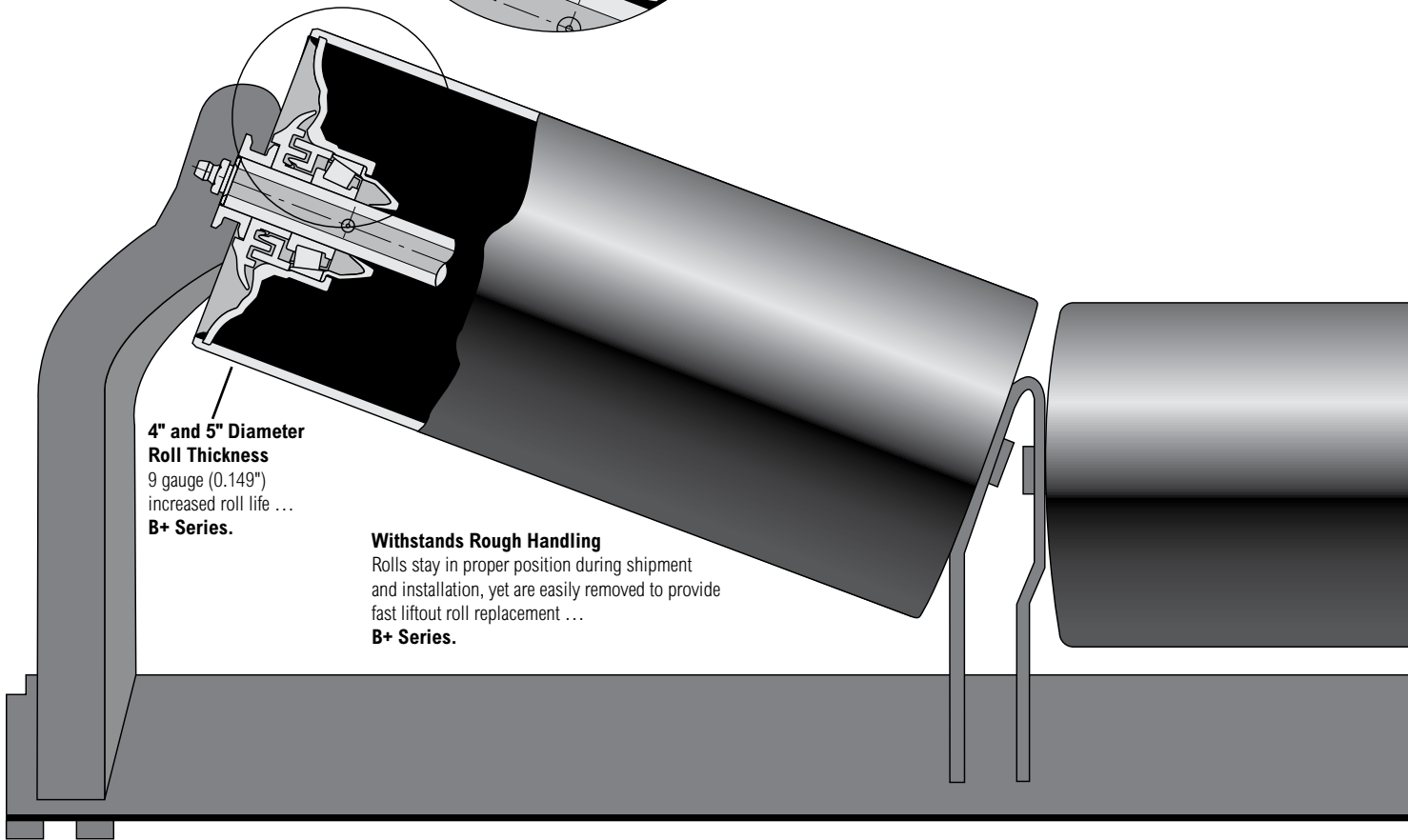
The Rex B+ offers a tapered roller bearing and the patented "G" seal in the same envelope dimensions as the Series B. Available as factory-sealed with solid shaft or regreasable. Exceeds CEMA load rating requirements.



A Rexnord exclusive manufacturing process produces a unique rounded roll end. This EASY Roll protects the belt for longer life. The EASY Roll design also keeps the roll shell and end disc junction completely away from the wear area for more idler life. Meets or exceeds CEMA load-rating requirements.

Longer Belt Life

Rex designed "Mini-Gap" provides smallest possible space between rollers for maximum "no-pinch" belt protection ... better belt support and longer belt life ... **B+ Series.**



4" and 5" Diameter Roll Thickness
9 gauge (0.149")
increased roll life ...
B+ Series.

Withstands Rough Handling

Rolls stay in proper position during shipment and installation, yet are easily removed to provide fast liftout roll replacement ...
B+ Series.

Interchangeability

... built to fit existing conveyor frame without cutting or fitting. Conforms to CEMA B dimensions ...
B+ Series.

Self-Cleaning Base

Inverted angle base prevents buildup of spillage ... eliminates possible jamming of idler rolls ...
B+ Series.

Series B+ Rex Classic Idlers

Reduced Maintenance Costs

Positive, easy, convenient one-point greasing, from either side, makes sure all bearings receive the proper amount of grease ... saves time and grease ... **B+ Series.**

Less Vibration

Uniform wall shells are assembled to precision-drawn end discs to form a rugged, integral roll assembly. Ends are simultaneously counter-bored to provide true concentric rotation for smooth operation ... **B+ Series.**

Extended Bearing Life

The patented "G" seal incorporates a rear sealing system that maintains pressure in the bearing cavity yet allows excess grease to purge, preventing bearing/seal damage ... **B+ Series.**

Longer Belt and Roll Life

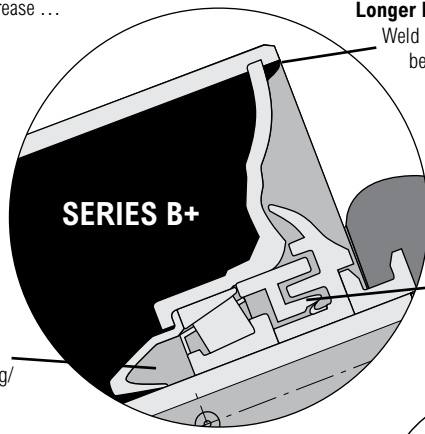
Weld bead is located under the roll shell. No belt contact ... no wear ... **B+ Series.**

Protection

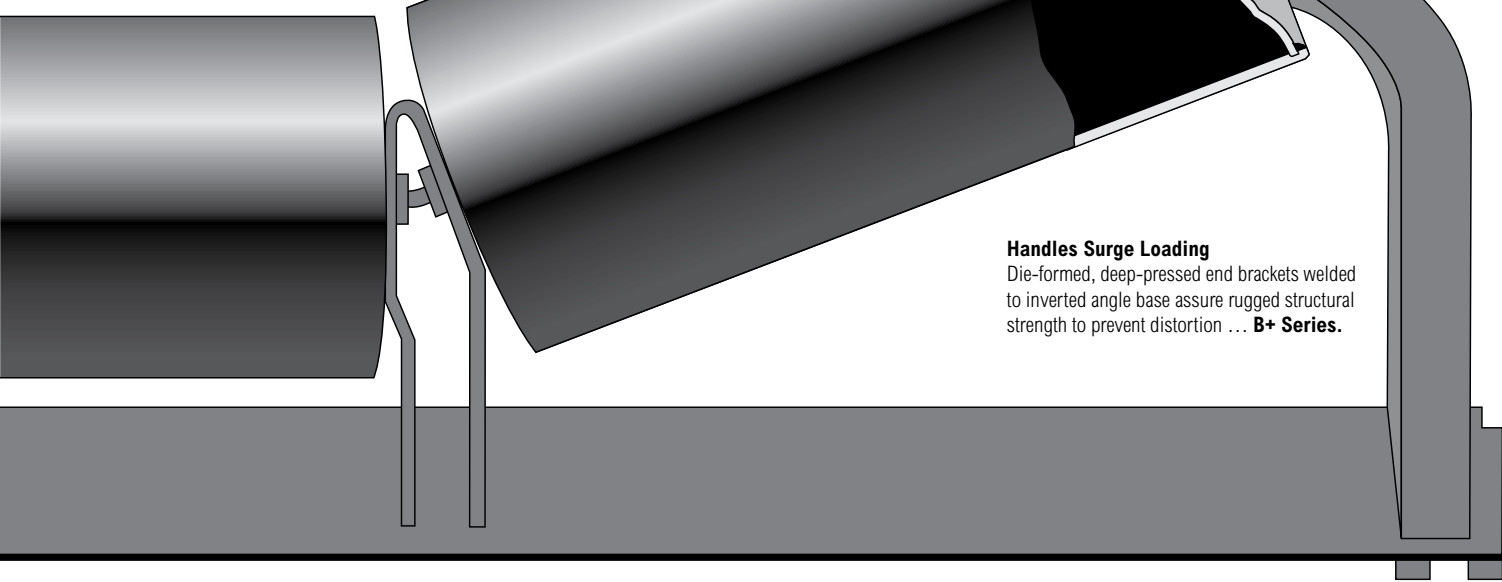
Factory-sealed and regreasable idlers utilize the patented "G" seal which is a combination five-passage horizontal labyrinth with positive wiper and outer shield. Excellent protection against abrasives and moisture ... **B+ Series.**

Longer Idler Life

3/4" shaft with tapered roller bearings provide extra load-carrying capacity ... **B+ Series.**



Total Indicated Roll Runout is 0.030" ... **B+ Series.**



Handles Surge Loading

Die-formed, deep-pressed end brackets welded to inverted angle base assure rugged structural strength to prevent distortion ... **B+ Series.**

NOTES:

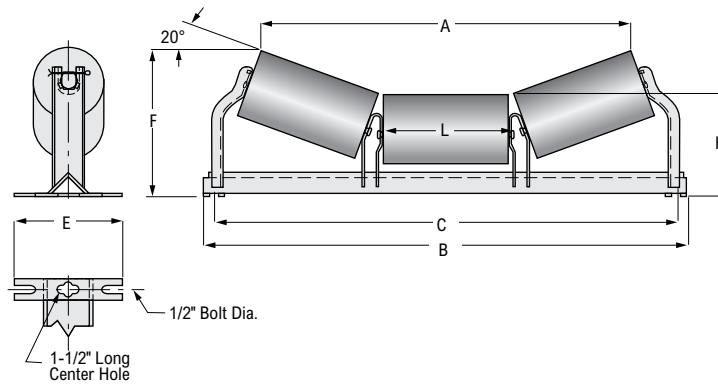
Grease transfer tube on regreasable idler only ... **B+ Series.**

Simple Belt Training Adjustment of idlers is fast and easy using slotted mounting holes. Precision jig-welded frame assures positive, accurate alignment ... **B+ Series.**

Series B+ Idlers – 3/4" Shaft – Factory-Sealed or Regreasable

Series B+ Dimensions

20° Troughing Idler — Equal Length Rolls

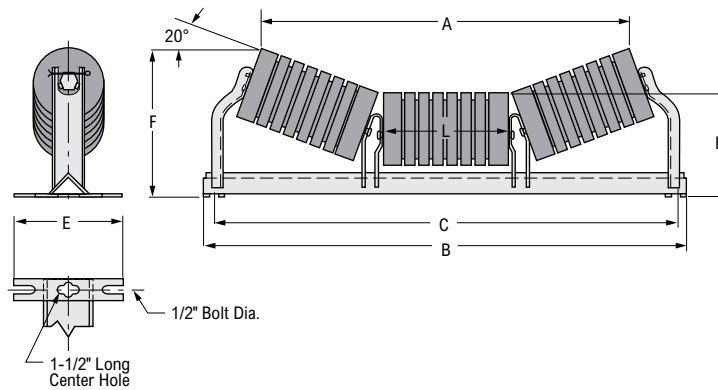


Dimensions (in) — Average Weight (lb)

Belt Width	4" Roll					5" Roll					B	C	E	L
	Product Number	A	F	H	Idler Weight	Product Number	A	F	H	Idler Weight				
18	18-GB4200-21	21-1/16	9-5/16	6-13/16	28	18-GB5200-21	20-3/4	9-3/4	7-5/16	31	28-1/2	27	7-3/4	7
20	20-GB4200-21	23-1/16	9-5/16	6-13/16	29	20-GB5200-21	22-3/4	9-3/4	7-5/16	33	30-1/2	29	7-3/4	9
24	24-GB4200-21	26-13/16	10	6-13/16	33	24-GB5200-21	26-1/2	10-1/2	7-5/16	37	34-1/2	33	7-3/4	9
30	30-GB4200-21	32-5/8	10-11/16	6-13/16	38	30-GB5200-21	32-1/4	11-1/8	7-5/16	43	40-1/2	39	7-3/4	11
36	36-GB4200-21	38-3/8	11-3/4	7-1/4	47	36-GB5200-21	38	12-1/4	7-3/4	53	47	45	9-1/4	13
42	42-GB4200-21	44-3/4	12-1/2	7-1/4	52	42-GB5200-21	43-3/4	12-15/16	7-3/4	59	53	51	9-1/4	15
48	48-GB4200-21	49-7/8	13-1/8	7-1/4	58	48-GB5200-21	49-1/2	13-5/8	7-3/4	66	59	57	9-1/4	17

① Use washers with 1/2" bolts.

20° Troughing Impact Idler — Equal Length Rolls



Dimensions (in) — Average Weight (lb)

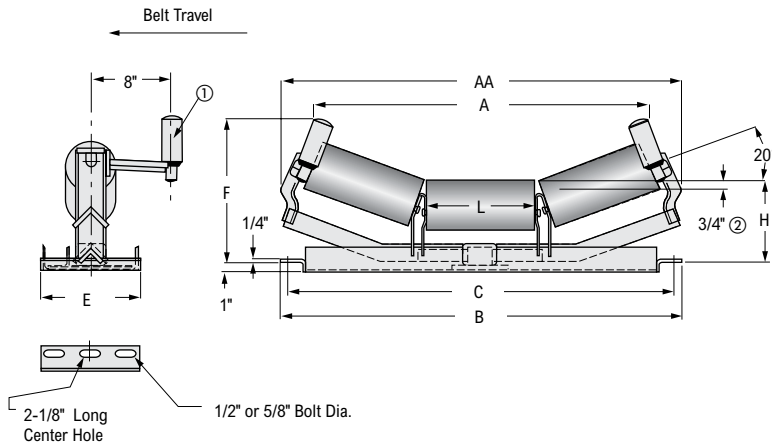
Belt Width	Product Number	A	B	C	E	F	H	L	Idler Weight
18	18-GB5202-21	20-5/8	28-1/8	27	7-3/4	9-3/4	7-5/16	7	37
20	20-GB5202-21	22-5/8	30-1/2	29	7-3/4	9-3/4	7-5/16	9	39
24	24-GB5202-21	26-1/2	34-1/2	33	7-3/4	10-1/2	7-5/16	9	41
30	30-GB5202-21	32-3/16	40-1/2	39	7-3/4	11-1/8	7-5/16	11	57
36	36-GB5202-21	37-15/16	47	45	9-1/4	12-1/4	7-3/4	13	65
42	42-GB5202-21	43-11/16	53	51	9-1/4	12-15/16	7-3/4	15	74
48	48-GB5202-21	49-7/16	59	57	9-1/4	13-5/8	7-3/4	17	87

① Use washers with 1/2" bolts.

Series B+ Dimensions

20° Troughing Training Idler — Equal Length Rolls

Positive Arm Type — Belt Travel One Direction Only



Dimensions (in) — Average Weight (lb)

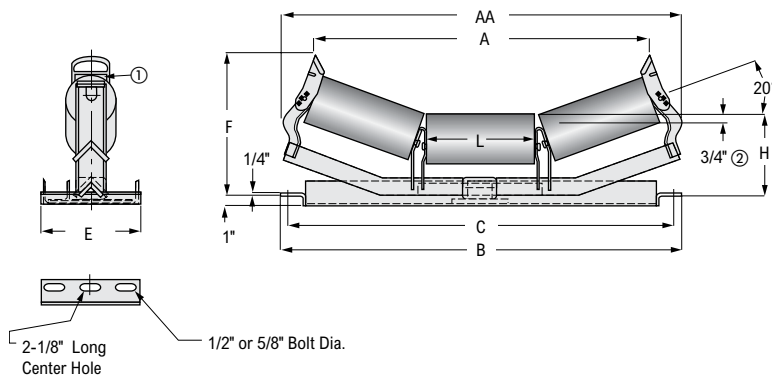
Belt Width	4" Roll			5" Roll			A	AA	B	C	E	F	L
	Product Number	H	Idler Weight	Product Number	H	Idler Weight							
18	18-GB4212-21	7-5/8	75	18-GB5212-21	8-1/8	80	23-3/16	28-9/16	28-1/2	27	10	13-3/8	7
20	20-GB4212-21	7-5/8	78	20-GB5212-21	8-1/8	84	25-3/16	30-9/16	30-1/2	29	10	13-3/8	9
24	24-GB4212-21	7-5/8	81	24-GB5212-21	8-1/8	87	28-15/16	34-5/16	34-1/2	33	10	14	9
30	30-GB4212-21	7-5/8	102	30-GB5212-21	8-1/8	110	34-11/16	40-1/16	40-1/2	39	10	14-11/16	11
36	36-GB4212-21	7-5/8	111	36-GB5212-21	8-1/8	120	40-1/2	45-7/8	46-1/2	45	10	15-7/16	13
42	42-GB4212-21	8	121	42-GB5212-21	8-1/2	132	46-1/4	51-13/16	52-1/2	51	14-1/2	16-7/16	15
48	48-GB4212-21	8	132	48-GB5212-21	8-1/2	144	52	57-9/16	58-1/2	57	14-1/2	17-1/8	17

① Positive Arm.

② Approximate distance to the top of the center roll of other idlers.

20° Troughing Training Idler — Equal Length Rolls

Actuating Shoe Type — Belt Travel Either Direction



Dimensions (in) — Average Weight (lb)

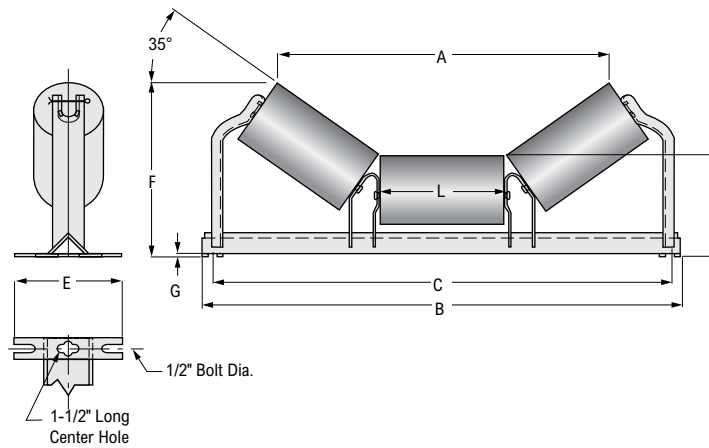
Belt Width	4" Roll			5" Roll			A	AA	B	C	E	F	L
	Product Number	H	Idler Weight	Product Number	H	Idler Weight							
18	18-GB4210-21	7-5/8	75	18-GB5210-21	8-1/8	80	23-3/4	28-9/16	28-1/2	27	10	12-1/16	7
20	20-GB4210-21	7-5/8	78	20-GB5210-21	8-1/8	84	25-3/4	30-9/16	30-1/2	29	10	12-1/16	9
24	24-GB4210-21	7-5/8	81	24-GB5210-21	8-1/8	87	29-3/4	34-5/16	34-1/2	33	10	12-3/4	9
30	30-GB4210-21	7-5/8	102	30-GB5210-21	8-1/8	110	35-1/4	40-1/16	40-1/2	39	10	13-7/8	11
36	36-GB4210-21	7-5/8	111	36-GB5210-21	8-1/8	120	41	45-7/8	46-1/2	45	10	14-1/16	13
42	42-GB4210-21	8	121	42-GB5210-21	8-1/2	132	46-3/4	51-13/16	52-1/2	51	14-1/2	15-3/16	15
48	48-GB4210-21	8	132	48-GB5210-21	8-1/2	144	52-1/2	57-9/16	58-1/2	57	14-1/2	15-7/8	17

① Actuating Shoe.

② Approximate distance to the top of the center roll of other idlers.

Series B+ Dimensions

35° Troughing Idler — Equal Length Rolls

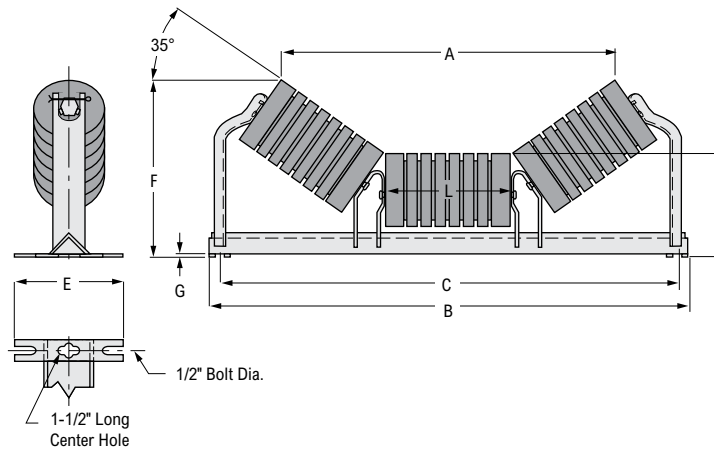


Dimensions (in) — Average Weight (lb)

Belt Width	4" Roll					5" Roll					B	C	E	G	L
	Product Number	A	F	H	Idler Weight	Product Number	A	F	H	Idler Weight					
18	18-GB4300-21	19-1/2	11	6-13/16	28	18-GB5300-21	18-7/8	11-7/16	7-5/16	32	28-1/2	27	7-3/4	1/4	7
20	20-GB4300-21	21-1/2	11	6-13/16	30	20-GB5300-21	20-7/8	11-7/16	7-5/16	34	30-1/2	29	7-3/4	1/4	9
24	24-GB4300-21	24-3/4	12-1/8	6-13/16	34	24-GB5300-21	24-3/16	12-9/16	7-5/16	38	34-1/2	33	7-3/4	1/4	9
30	30-GB4300-21	30	13-1/4	6-13/16	39	30-GB5300-21	29-1/2	13-3/4	7-5/16	44	40-1/2	39	7-3/4	1/4	11
36	36-GB4300-21	35-1/4	14-7/8	7-1/4	48	36-GB5300-21	34-3/4	15-1/4	7-3/4	54	47	45	9-1/4	5/16	13
42	42-GB4300-21	40-9/16	16	7-1/4	54	42-GB5300-21	40	16-7/16	7-3/4	61	53	51	9-1/4	5/16	15
48	48-GB4300-21	47-7/8	17-1/8	7-1/4	59	48-GB5300-21	45-1/4	17-9/16	7-3/4	67	59	57	9-1/4	5/16	17

① Use washers with 1/2" bolts.

35° Troughing Impact Idler — Equal Length Rolls



Dimensions (in) — Average Weight (lb)

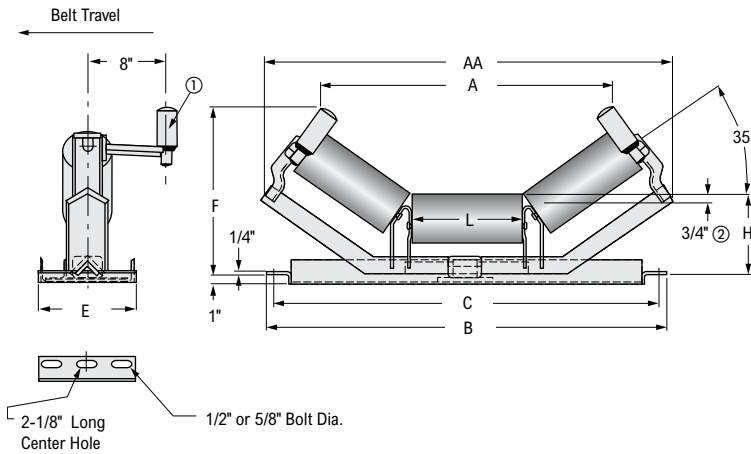
Belt Width	Product Number	A	B	C	E	F	G	H	L	Idler Weight
18	18-GB5302-21	18-7/8	28-1/2	27	7-3/4	11-7/16	1/4	7-5/16	7	37
20	20-GB5302-21	20-7/8	30-1/2	29	7-3/4	11-7/16	1/4	7-5/16	9	40
24	24-GB5302-21	24-3/16	34-1/2	33	7-3/4	12-9/16	1/4	7-5/16	9	45
30	30-GB5302-21	29-1/2	40-1/2	39	7-3/4	13-3/4	1/4	7-5/16	11	58
36	36-GB5302-21	34-3/4	47	45	9-1/4	15-1/4	5/16	7-3/4	13	66
42	42-GB5302-21	40	53	51	9-1/4	16-7/16	5/16	7-3/4	15	75
48	48-GB5302-21	45-1/4	59	57	9-1/4	17-9/16	5/16	7-3/4	17	88

① Use washers with 1/2" bolts.

Series B+ Dimensions

35° Troughing Training Idler — Equal Length Rolls

Positive Arm Type — Belt Travel One Direction Only



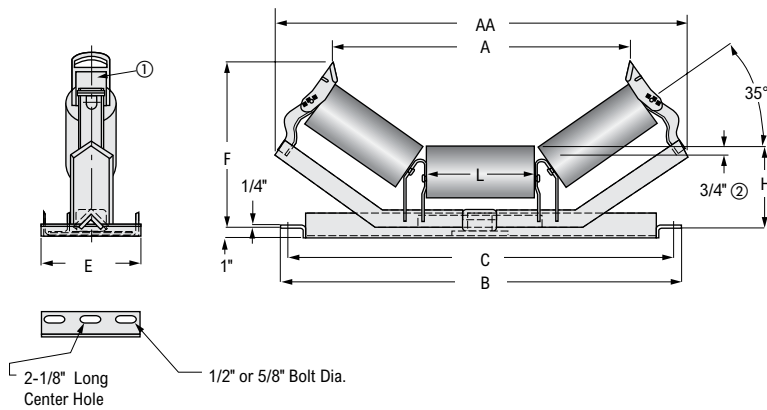
Dimensions (in) — Average Weight (lb)

Belt Width	4" Roll			5" Roll			A	AA	B	C	E	F	L
	Product Number	H	Idler Weight	Product Number	H	Idler Weight							
18	18-GB4312-21	7-5/8	78	18-GB5312-21	8-1/8	86	20	30-13/16	28-1/2	27	10	14-15/16	7
20	20-GB4312-21	7-5/8	80	20-GB5312-21	8-1/8	88	22	32-13/16	30-1/2	29	10	14-15/16	9
24	24-GB4312-21	7-5/8	83	24-GB5312-21	8-1/8	93	23-13/16	36-1/8	34-1/2	33	10	17-1/8	9
30	30-GB4312-21	7-5/8	105	30-GB5312-21	8-1/8	115	29-1/16	41-3/8	40-1/2	39	10	18-3/16	11
36	36-GB4312-21	7-5/8	113	36-GB5312-21	8-1/8	124	35-3/4	46-11/16	46-1/2	45	10	19-5/16	13
42	42-GB4312-21	8	128	42-GB5312-21	8-1/2	140	41-1/16	52-3/8	52-1/2	51	14-1/2	19-15/16	15
48	48-GB4312-21	8	140	48-GB5312-21	8-1/2	156	46-5/16	57-11/16	58-1/2	57	14-1/2	21-1/16	17

- ① Positive Arm.
- ② Approximate distance to the top of the center roll of other idlers.

35° Troughing Training Idler — Equal Length Rolls

Actuating Shoe Type — Belt Travel Either Direction



Dimensions (in) — Average Weight (lb)

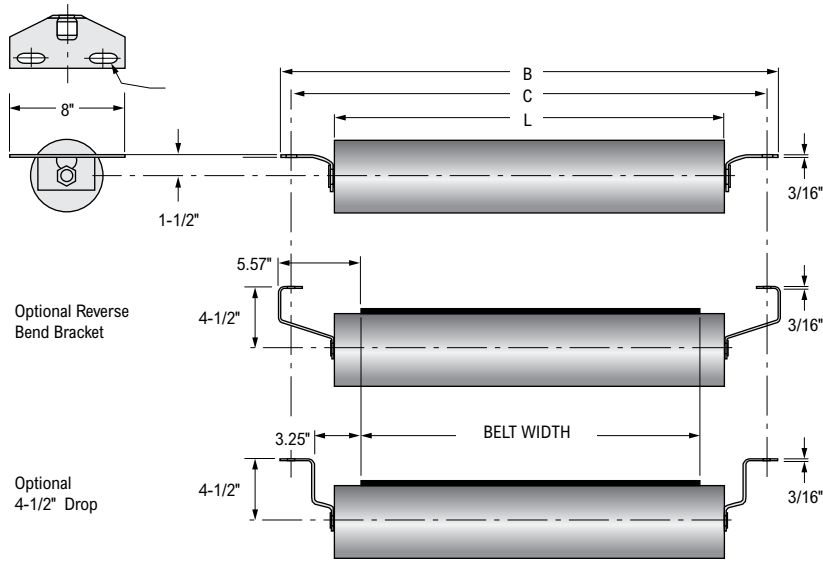
Belt Width	4" Roll			5" Roll			A	AA	B	C	E	F	L
	Product Number	H	Idler Weight	Product Number	H	Idler Weight							
18	18-GB4310-21	7-5/8	78	18-GB5310-21	8-1/8	86	20-3/8	29-7/16	28-1/2	27	10	13-15/16	7
20	20-GB4310-21	7-5/8	80	20-GB5310-21	8-1/8	88	22-3/8	31-7/16	30-1/2	29	10	13-15/16	9
24	24-GB4310-21	7-5/8	83	24-GB5310-21	8-1/8	93	25-5/8	34-3/16	34-1/2	33	10	15-1/8	9
30	30-GB4310-21	7-5/8	105	30-GB5310-21	8-1/8	115	30-15/16	40-1/16	40-1/2	39	10	16-1/4	11
36	36-GB4310-21	7-5/8	113	36-GB5310-21	8-1/8	124	36-3/16	45-7/16	46-1/2	45	10	17-3/8	13
42	42-GB4310-21	8	128	42-GB5310-21	8-1/2	140	41-1/2	51-1/16	52-1/2	51	14-1/2	18-15/16	15
48	48-GB4310-21	8	140	48-GB5310-21	8-1/2	156	46-3/4	56-5/16	58-1/2	57	14-1/2	20-1/16	17

- ① Actuating Shoe.
- ② Approximate distance to the top of the center roll of other idlers.

Series B+ Dimensions

Return Idler

B+ rolls can be furnished in urethane-coated.



Dimensions (in) — Average Weight (lb)

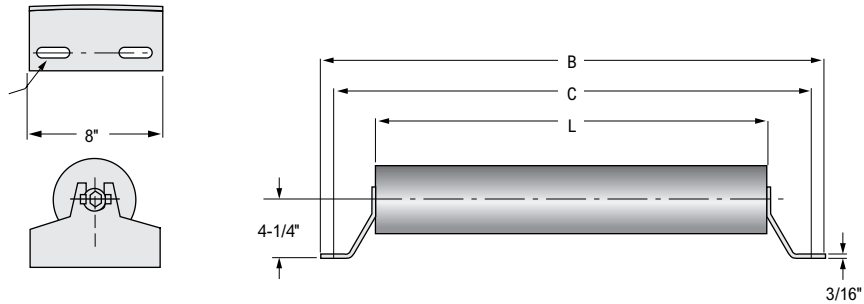
Belt Width	4" Roll		5" Roll		B	C	L
	Product Number	Idler Weight	Product Number	Idler Weight			
18	18-GB4040-21	17	18-GB5040-21	20	28-1/2	27	21
20	20-GB4040-21	18	20-GB5040-21	21	30-1/2	29	23
24	24-GB4040-21	20	24-GB5040-21	24	34-1/2	33	27
30	30-GB4040-21	24	30-GB5040-21	29	40-1/2	39	33
36	36-GB4040-21	29	36-GB5040-21	33	46-1/2	45	39
42	42-GB4040-21	33	42-GB5040-21	38	52-1/2	51	45
48	48-GB4040-21	39	48-GB5040-21	44	58-1/2	57	51

① Use washers with 1/2" bolts.

② Also available with 11-3/4" and 16-1/2" drop.

Flat Idler

B+ rolls can be furnished in urethane-coated.



Dimensions (in) — Average Weight (lb)

Belt Width	4" Roll		5" Roll		B	C	L
	Product Number	Idler Weight	Product Number	Idler Weight			
18	18-GB4020-21	18	18-GB5020-21	22	29	27	21
20	20-GB4020-21	20	20-GB5020-21	23	31	29	23
24	24-GB4020-21	22	24-GB5020-21	26	35	33	27
30	30-GB4020-21	26	30-GB5020-21	30	41	39	33
36	36-GB4020-21	31	36-GB5020-21	35	47	45	39
42	42-GB4020-21	35	42-GB5020-21	40	53	51	45
48	48-GB4020-21	41	48-GB5020-21	46	59	57	51

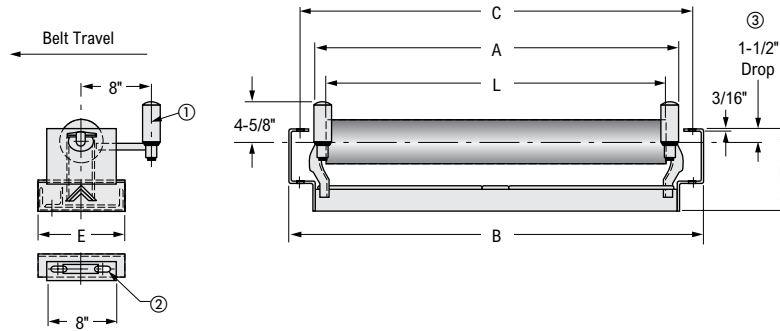
① 1/2" or 3/8" bolt.

Series B+ Dimensions

Return Training Idler

Positive Arm Type — Belt Travel One Direction Only

This trainer can be furnished with a rubber disc or spiral roll.



Dimensions (in) — Average Weight (lb)

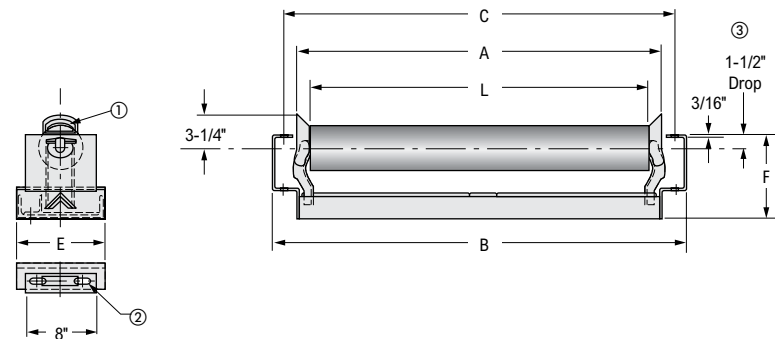
Belt Width	4" Roll		5" Roll		A	B	C	E	F	L
	Product Number	Idler Weight	Product Number	Idler Weight						
18	18-GB4052-21	83	18-GB5052-21	90	23-5/8	29-1/2	27	10	9-1/2	21
20	20-GB4052-21	94	20-GB5052-21	102	25-5/8	31-1/2	29	10	9-1/2	23
24	24-GB4052-21	100	24-GB5052-21	110	29-5/8	35-1/2	33	10	9-1/2	27
30	30-GB4052-21	117	30-GB5052-21	126	35-5/8	41-1/2	39	10	9-1/2	33
36	36-GB4052-21	137	36-GB5052-21	148	41-5/8	47-1/2	45	10	9-1/2	39
42	42-GB4052-21	142	42-GB5052-21	157	47-5/8	53-1/2	51	14-1/2	10	45
48	48-GB4052-21	153	48-GB5052-21	167	53-5/8	59-1/2	57	14-1/2	10	51

- ① Positive Arm.
- ② 1/2" or 5/8" bolt dia.
- ③ Also available with 4-1/2" and 11-3/4" drop.

Return Training Idler

Actuating Shoe Type — Belt Travel Either Direction

This trainer can be furnished with a rubber disc or spiral roll.



Dimensions (in) — Average Weight (lb)

Belt Width	4" Roll		5" Roll		A	B	C	E	F	L
	Product Number	Idler Weight	Product Number	Idler Weight						
18	18-GB4051-21	81	18-GB5051-21	88	24-1/8	29-1/2	27	10	9-1/2	21
20	20-GB4051-21	93	20-GB5051-21	100	26-1/8	31-1/2	29	10	9-1/2	23
24	24-GB4051-21	96	24-GB5051-21	112	30-1/8	35-1/2	33	10	9-1/2	27
30	30-GB4051-21	115	30-GB5051-21	125	36-1/8	41-1/2	39	10	9-1/2	33
36	36-GB4051-21	135	36-GB5051-21	146	42-1/8	47-1/2	45	10	9-1/2	39
42	42-GB4051-21	140	42-GB5051-21	152	48-1/8	53-1/2	51	14-1/2	10	45
48	48-GB4051-21	151	48-GB5051-21	165	54-1/8	59-1/2	57	14-1/2	10	51

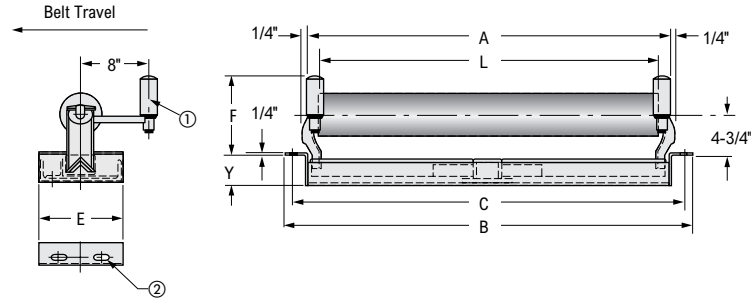
- ① Actuating Shoe.
- ② 1/2" or 5/8" bolt dia.
- ③ Also available with 4-1/2" and 11-3/4" drop.

Series B+ Dimensions

Flat Training Idler

Positive Arm Type — Belt Travel One Direction Only

This trainer can be furnished with rubber discs or spiral roll.



Dimensions (in) — Average Weight (lb)

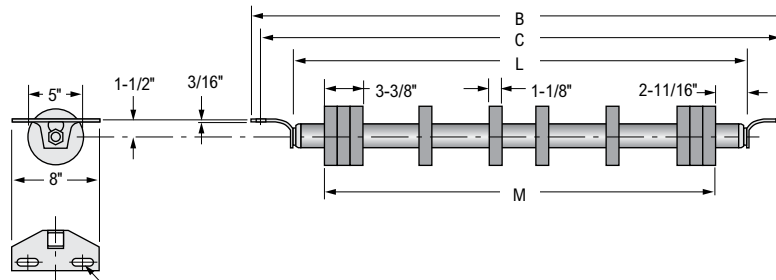
Belt Width	4" Roll		5" Roll		A	B	C	E	F	L	Y
	Product Number	Idler Weight	Product Number	Idler Weight							
18	18-GB4031-21	78	18-GB5031-21	85	23-5/8	28-3/4	27	10	9-3/8	21	3-1/8
20	20-GB4031-21	89	20-GB5031-21	97	25-5/8	30-3/4	29	10	9-3/8	23	3-1/8
24	24-GB4031-21	95	24-GB5031-21	105	29-5/8	34-3/4	33	10	9-3/8	27	3-1/8
30	30-GB4031-21	112	30-GB5031-21	121	35-5/8	40-3/4	39	10	9-3/8	33	3-1/8
36	36-GB4031-21	132	36-GB5031-21	143	41-5/8	46-3/4	45	10	9-3/8	39	3-3/16
42	42-GB4031-21	137	42-GB5031-21	152	47-5/8	52-3/4	51	14-1/2	9-3/8	45	3-11/16
48	48-GB4031-21	148	48-GB5031-21	162	53-5/8	58-3/4	57	14-1/2	9-3/8	51	3-11/16

① Positive Arm. For belt travel in both directions replace positive arms with actuating shoes.

② 1/2" or 5/8" bolt dia.

Disc Return Idler

Rex Disc Return Idlers minimize belt misalignment which can cause damage to the belt, resulting from material buildup on the return idler rolls. Available in rubber discs.



Dimensions (in) — Average Weight (lb)

Belt Width	Product Number	B	C	L	M	No. of Discs	Idler Weight
18	18-GB5043-21	28-1/2	27	21	15-3/4	7	17
20	20-GB5043-21	30-1/2	29	23	17-3/4	7	19
24	24-GB5043-21	34-1/2	33	27	21-3/4	8	21
30	30-GB5043-21	40-1/2	39	33	27-3/4	9	24
36	36-GB5043-21	46-1/2	45	39	33-3/4	10	27
42	42-GB5043-21	52-1/2	51	45	39-3/4	11	31
48	48-GB5043-21	58-1/2	57	51	45-3/4	12	36

① 1/2" or 5/8" bolt dia.

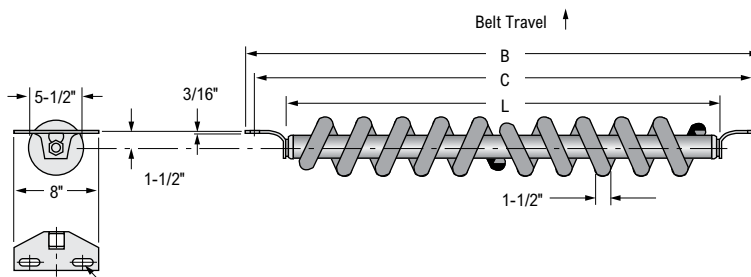
② Also available with a 4-1/2", 11-3/4", 16-1/2" drop. For reverse bend brackets, [page 16](#).

Series B+ Dimensions

Spiral Return Idler

Belt Travel One Direction

Rex Spiral Return Idlers minimize belt fleet and damage on the return belt which would otherwise result from material buildup. The correct direction of rotation is important and is clearly marked on each idler. The "V" formed by right-hand and left-hand spirals should point in the direction of rotation.



Dimensions (in) — Average Weight (lb)

Belt Width	6" (F/S) Product Number	6" (R/G) Product Number	B	C	L	Idler Weight
18	18-GB6042-21	18-GB6042-22	28-1/2	27	21	19
20	20-GB6042-21	20-GB6042-22	30-1/2	29	23	22
24	24-GB6042-21	24-GB6042-22	34-1/2	33	27	24
30	30-GB6042-21	30-GB6042-22	40-1/2	39	33	28
36	36-GB6042-21	36-GB6042-22	46-1/2	45	39	33
42	42-GB6042-21	42-GB6042-22	52-1/2	51	45	39
48	48-GB6042-21	48-GB6042-22	58-1/2	57	51	44

① 1/2" or 5/8" bolt dia.

② Also available with a 4-1/2", 11-3/4", 16-1/2" drop. For reverse bend brackets, **page 16**.

Series C Rex Classic Idlers

Series C — CEMA C Regreasable or Factory-Sealed Bearings

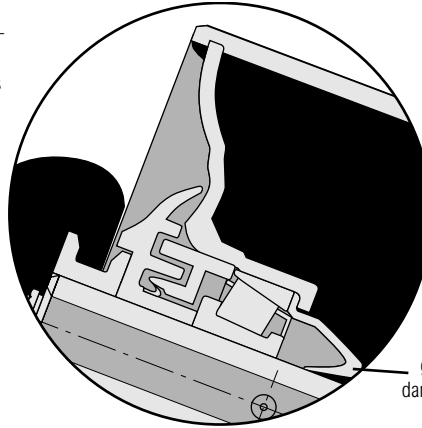
20°, 35° and 45° Trough — 5" and 6" Roll Diameter

4" Roll Diameter also available — Made-to-Order

The complete line of Rex CEMA Series C Idlers, with off-the-shelf availability ...

Reduced Regreasing Time

Easy, convenient, patented one-point greasing — from either side — provides positive through-lubrication of all six bearings ... saves time, cuts maintenance costs.



Controlled Greasing Extends Bearing Life

Rear grease seal keeps grease in bearing cavity only, yet allows excess grease to purge, preventing bearing damage through over-greasing.

Less Chance of Belt Damage

Rex designed "Mini-Gap" provides smallest possible space between rollers for maximum no-pinch belt protection ... better belt support and longer belt life.

Simple Belt Training Adjustment

of idlers is made fast and easy using slotted mounting holes. Precision jig-welded frame assures positive, accurate alignment.

Grease transfer tubes are totally encapsulated in steel.

Interchangeability

... built to fit existing conveyor frame without cutting or fitting. Conforms to CEMA standards.

Regreasable Idlers

Better Protection Against Abrasives and Moisture

Rex offers a special combination labyrinth with wiping seal and protective outer shield for your operating environment. This seal has five hard-to-get-through passages filled with grease to block contaminants from the roller bearings. The outer and inner seals are close tolerance injection-molded nonmetallic. The labyrinth/shield seal is particularly excellent for long, overland horizontal conveyors, because of its low friction torque or for applications where water is present or when frequent washdowns are required.

Series C Rex Classic Idlers

Series C — CEMA C Regreasable or Factory-Sealed Bearings

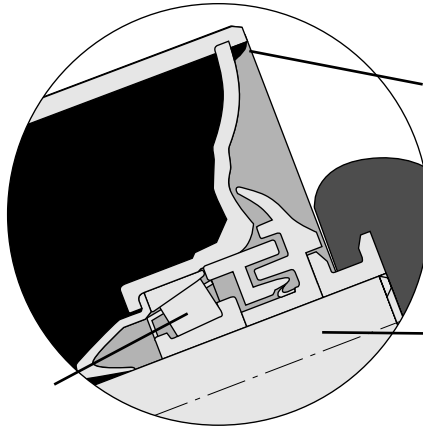
20°, 35° and 45° Trough — 5" and 6" Roll Diameter

4" Roll Diameter also available — Made-to-Order

Offer low initial and maintenance costs, extra dependability for moderate to heavy-duty applications.

Less Vibration

Uniform thick shells are welded to precision-drawn end discs to form a rugged, integral roll assembly. Ends are simultaneously counter-bored to provide true concentricity, accurate rotation for smooth operation.



Protected Weld

Weld bead is located under roll shell to protect it from belt contact and premature wear.

Factory-Sealed Idlers

eliminate the need for relubrication ... solid shafts for more load carrying capacity.

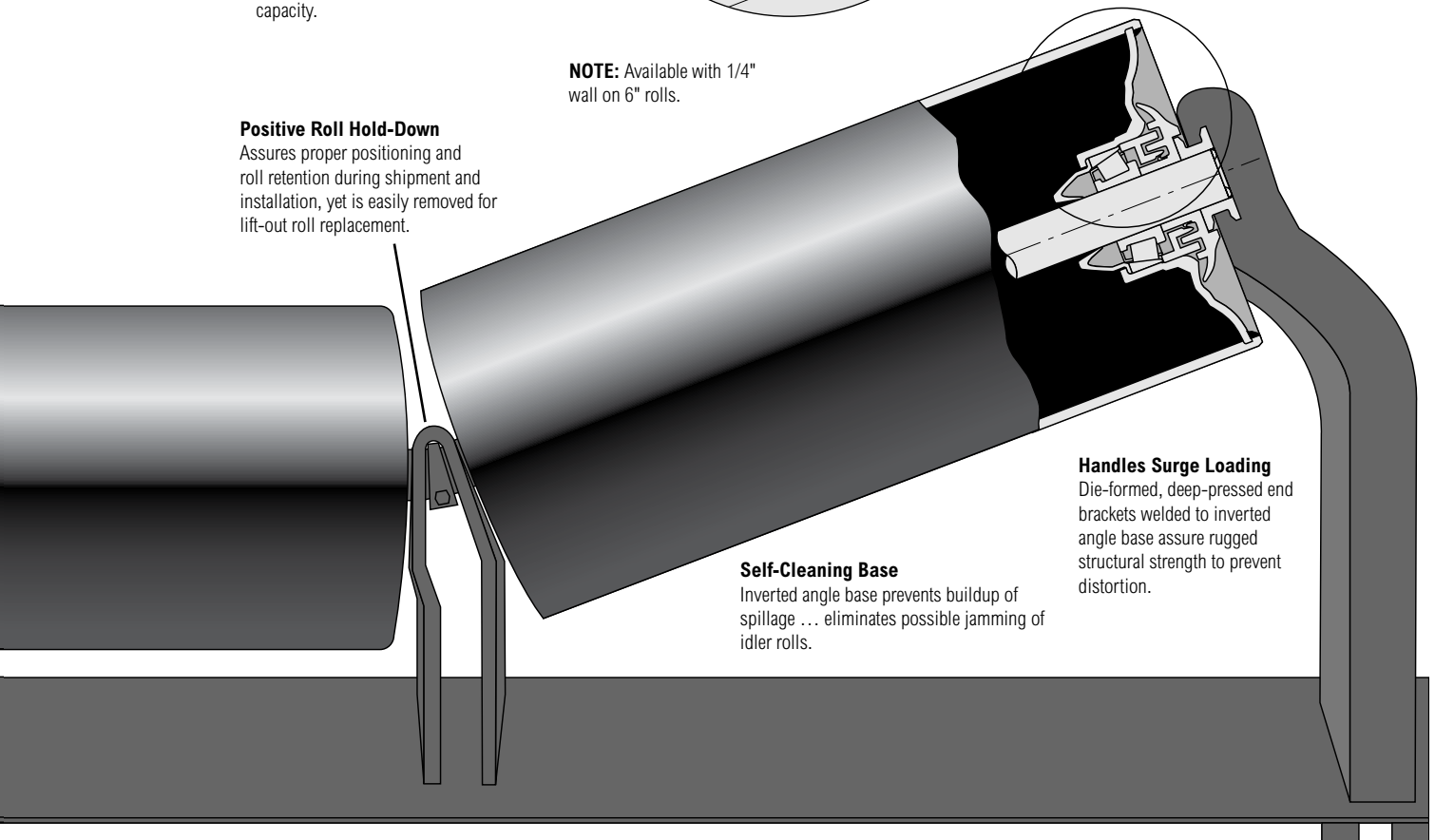
Longer Idler Life — Series C

Rugged 3/4" tapered roller bearings and 3/4" diameter shafts provide ample load-carrying capacity.

NOTE: Available with 1/4" wall on 6" rolls.

Positive Roll Hold-Down

Assures proper positioning and roll retention during shipment and installation, yet is easily removed for lift-out roll replacement.



Handles Surge Loading

Die-formed, deep-pressed end brackets welded to inverted angle base assure rugged structural strength to prevent distortion.

Self-Cleaning Base

Inverted angle base prevents buildup of spillage ... eliminates possible jamming of idler rolls.

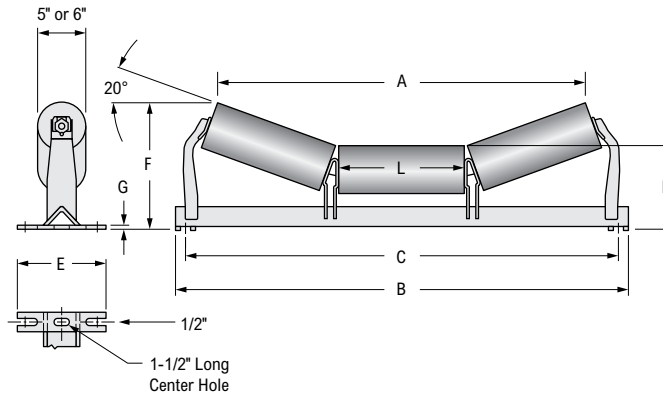
Factory-Sealed Idlers

Better Protection Against Abrasives

Rex offers a special combination labyrinth with wiping seal and protective outer shield for your operating environment. This seal has five hard-to-get-through passages filled with grease to block contaminants from the roller bearings. The outer and inner seals are close tolerance injection-molded nonmetallic. This product will provide excellent service in most environments and where minimum maintenance can be provided. Solid shafts are standard.

Series C Dimensions

20° Troughing Idler — Equal Length Rolls

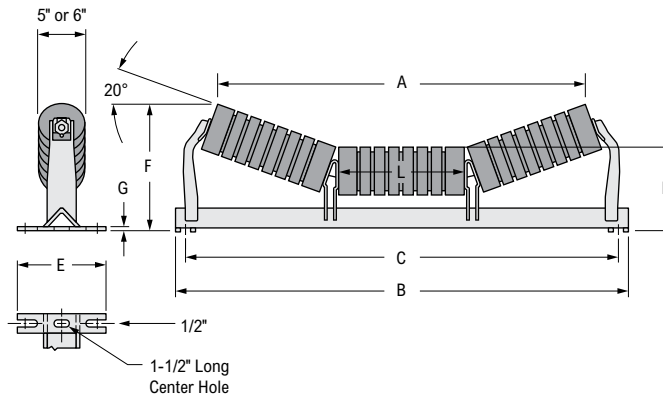


Dimensions (in) — Average Weight (lb)

Belt Width	5" Roll					6" Roll					B	C	E	G	L
	Product Number	A	F	H	Idler Weight	Product Number	A	F	H	Idler Weight					
18	18-GC5200-02	20-13/16	11	8-9/16	41	18-GC6200-02	20-1/2	11-1/2	9-1/16	48	29	27	9-1/4	5/16	7
20	20-GC5200-02	22-13/16	11	8-9/16	45	20-GC6200-02	22-1/2	11-1/2	9-1/16	53	31	29	9-1/4	5/16	9
24	24-GC5200-02	26-1/2	11-11/16	8-9/16	49	24-GC6200-02	26-3/16	12-3/16	9-1/16	58	35	33	9-1/4	5/16	9
30	30-GC5200-02	32-5/16	12-3/8	8-9/16	57	30-GC6200-02	31-15/16	12-7/8	9-1/16	64	41	39	9-1/4	5/16	11
36	36-GC5200-02	38-1/16	13-1/8	8-1/16	65	36-GC6200-02	37-11/16	13-5/8	9-3/16	73	47	45	9-1/4	5/16	13
42	42-GC5200-02	45-13/16	14-1/8	9	72	42-GC6200-02	43-7/16	14-9/16	9-1/2	82	53	51	9-1/4	5/16	15
48	48-GC5200-02	49-9/16	14-3/16	9	83	48-GC6200-02	49-3/16	15-1/4	9-1/2	92	59	57	9-1/4	5/16	17
54	54-GC5200-02	55-5/16	15-7/8	9-1/4	94	54-GC6200-02	55	16-5/16	9-3/4	105	65-1/2	63	11-1/2	3/8	19
60	60-GC5200-02	61-1/16	16-9/16	9-1/4	104	60-GC6200-02	60-1/4	17	9-3/4	116	71-1/2	69	11-1/2	3/8	21
72	72-GC5200-02	72-5/8	18-5/16	9-11/16	127	72-GC6200-02	72-5/8	18-3/4	10-3/16	141	83-1/2	81	11-1/2	3/8	25

① Use washers on 1/2-inch bolts.

20° Troughing Impact Idler — Equal Length Rolls



Dimensions (in) — Average Weight (lb)

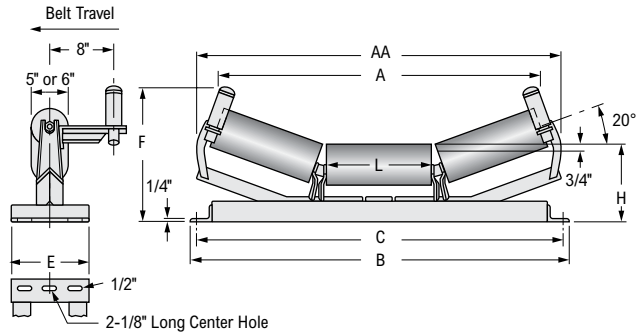
Belt Width	5" Roll					6" Roll					B	C	E	G	L
	Product Number	A	F	H	Idler Weight	Product Number	A	F	H	Idler Weight					
18	18-GC5202-02	20-13/16	11	8-9/16	43	18-GC6202-02	20-1/2	11-1/2	9-1/16	50	29	27	9-1/4	5/16	7
20	20-GC5202-02	22-13/16	11	8-9/16	46	20-GC6202-02	22-1/2	11-1/2	9-1/16	54	31	29	9-1/4	5/16	9
24	24-GC5202-02	26-1/2	11-11/16	8-9/16	50	24-GC6202-02	26-3/16	12-3/16	9-1/16	60	35	33	9-1/4	5/16	9
30	30-GC5202-02	32-5/16	12-3/8	8-9/16	60	30-GC6202-02	31-15/16	12-7/8	9-1/16	68	41	39	9-1/4	5/16	11
36	36-GC5202-02	38-1/16	13-1/8	8-11/16	69	36-GC6202-02	37-11/16	13-5/8	9-3/16	76	47	45	9-1/4	5/16	13
42	42-GC5202-02	45-13/16	14-1/8	9	76	42-GC6202-02	43-7/16	14-9/16	9-1/2	85	53	51	9-1/4	5/16	15
48	48-GC5202-02	49-9/16	14-13/16	9	86	48-GC6202-02	49-5/16	15-1/4	9-1/2	97	59	57	9-1/4	5/16	17
54	54-GC5202-02	55-5/16	15-7/8	9-1/4	98	54-GC6202-02	55	16-5/16	9-3/4	109	65-1/2	63	11-1/2	3/8	19
60	60-GC5202-02	61-1/16	16-9/16	9-1/4	109	60-GC6202-02	60-1/4	17	9-3/4	121	71-1/2	69	11-1/2	3/8	21
72	72-GC5202-02	72-5/8	18-5/16	9-11/16	133	72-GC6202-02	72-5/16	18-3/4	10-3/16	145	83-1/2	81	11-1/2	3/8	25

① Use washers on 1/2-inch bolts.

Series C Dimensions

20° Troughing Idler — Equal Length Rolls

Positive Arm Type — Belt Travel One Direction Only



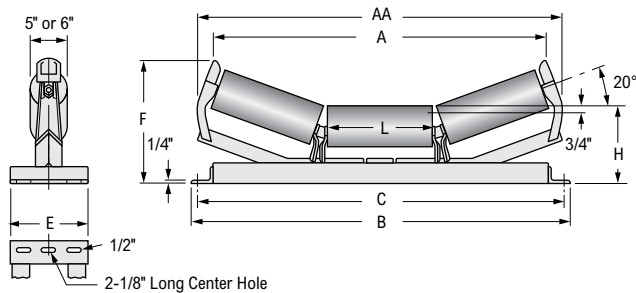
Dimensions (in) — Average Weight (lb)

Belt Width	5" Roll			6" Roll			A	AA	B	C	E	F	L
	Product Number	H	Idler Weight	Product Number	H	Idler Weight							
18	18-GC5212-02	9-1/4	102	18-GC6212-02	9-3/4	114	23-3/16	28-9/16	29	27	10	14-3/16	7
20	20-GC5212-02	9-1/4	107	20-GC6212-02	9-3/4	119	25-3/16	30-9/16	31	29	10	14-3/16	9
24	24-GC5212-02	9-1/4	118	24-GC6212-02	9-3/4	130	28-15/16	34-5/16	35	33	10	14-7/16	9
30	30-GC5212-02	9-1/4	132	30-GC6212-02	9-3/4	145	34-1/16	40-1/16	41	39	10	15-9/16	11
36	36-GC5212-02	9-5/16	146	36-GC6212-02	9-13/16	159	40-1/2	45-7/16	47	45	10	16-5/16	13
42	42-GC5212-02	9-13/16	163	42-GC6212-02	10-5/16	175	46-1/16	51-13/16	53	51	14-1/2	17-1/2	15
48	48-GC5212-02	9-13/16	178	48-GC6212-02	10-5/16	191	52	57-9/16	59	57	14-1/2	18-3/16	17
54	54-GC5212-02	10-3/16	192	54-GC6212-02	10-11/16	206	57-1/4	63-9/16	65	63	14-1/2	19-1/4	19
60	60-GC5212-02	10-3/16	208	60-GC6212-02	10-11/16	221	63-1/2	69-5/16	71	69	14-1/2	19-15/16	21
72	72-GC5212-02	10-3/16	236	72-GC6212-02	10-11/16	253	75	80-1/4	83	81	16-1/2	21-5/16	25

- ① Use washers on 1/2-inch bolts.
- ② Approximate distance to the top of the center roll of other idlers.
- ③ 0.31" to 0.72" belt width.

20° Troughing Impact Idler — Equal Length Rolls

Actuating Shoe Type — Belt Travel Either Direction



Dimensions (in) — Average Weight (lb)

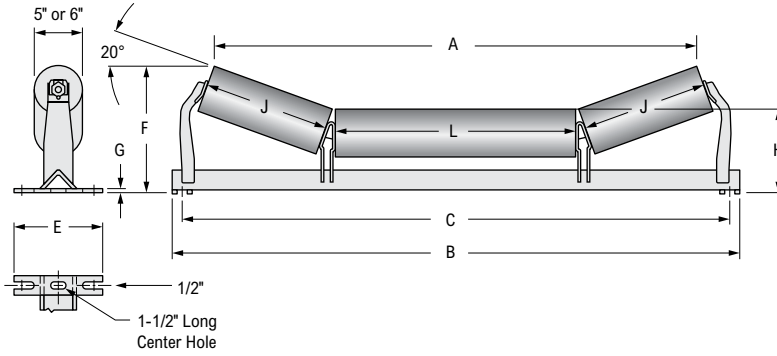
Belt Width	5" Roll					6" Roll					AA	B	C	E	L
	Product Number	A	F	H	Idler Weight	Product Number	A	F	H	Idler Weight					
18	18-GC5210-02	23-3/4	13-3/16	9-1/4	100	18-GC6210-02	23-1/8	14-1/4	9-3/4	112	28-9/16	29	27	10	7
20	20-GC5210-02	25-3/4	13-3/16	9-1/4	105	20-GC6210-02	25-1/8	14-1/4	9-3/4	117	30-9/16	31	29	10	9
24	24-GC5210-02	29-1/2	13-7/8	9-1/4	116	24-GC6210-02	28-7/8	14-15/16	9-3/4	128	34-5/16	35	33	10	9
30	30-GC5210-02	35-1/4	14-9/16	9-1/4	130	30-GC6210-02	34-11/16	15-1/8	9-3/4	143	40-1/16	41	39	10	11
36	36-GC5210-02	41	15-1/4	9-5/16	144	36-GC6210-02	41-7/16	16-3/8	9-13/16	156	45-7/8	47	45	10	13
42	42-GC5210-02	46-3/4	16-1/2	9-13/16	160	42-GC6210-02	46-3/16	17-9/16	10-5/16	172	51-13/16	53	51	14-1/2	15
48	48-GC5210-02	52-1/4	17-3/16	9-13/16	175	48-GC6210-02	51-15/16	17-3/4	10-5/16	188	57-9/16	59	57	14-1/2	17
54	54-GC5210-02	58-1/4	18-3/16	10-3/16	190	54-GC6210-02	57-11/16	19-5/16	10-11/16	203	63-9/16	65	63	14-1/2	19
60	60-GC5210-02	64	18-7/8	10-3/16	206	60-GC6210-02	63-7/16	20	10-11/16	218	69-5/16	71	69	14-1/2	21
72	72-GC5210-02	75-5/16	20-1/4	10-3/16	234	72-GC6210-02	75	21-5/16	10-11/16	250	80-1/4	83	81	16-1/2	25

- ① Use washers on 1/2-inch bolts.
- ② Approximate distance to the top of the center roll of other idlers.
- ③ 0.31" to 0.72" belt width.

Series C Dimensions

20° Troughing Idler — Unequal Length Rolls

Made-to-Order Only



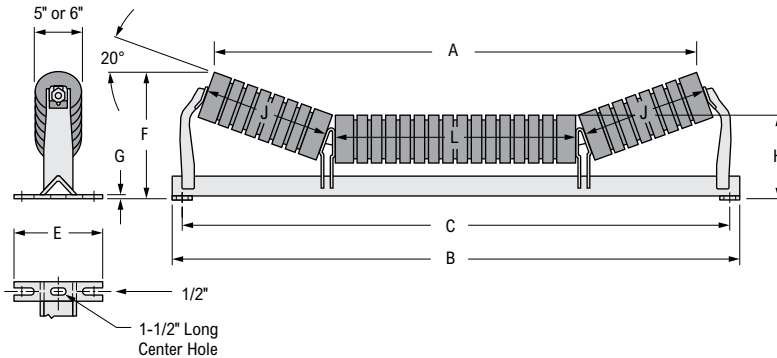
Dimensions (in) — Average Weight (lb)

Belt Width	5" Roll					6" Roll					B	C	E	G	J	L
	Product Number	A	F	H	Idler Weight	Product Number	A	F	H	Idler Weight						
24	24-GC5201-02	28-15/16	11	8-9/16	49	24-GC6201-02	28-1/2	11-1/2	9-1/16	58	35-1/2	33	9-1/4	5/16	7	15
30	30-GC5201-02	34-15/16	11	8-9/16	57	30-GC6201-02	34-1/2	11-1/2	9-1/16	64	41-1/2	39	9-1/4	5/16	7	21
36	36-GC5201-02	40-15/16	11-1/16	8-11/16	65	36-GC6201-02	40-1/2	11-9/16	9-3/16	73	47-1/2	45	9-1/4	5/16	7	27
42	42-GC5201-02	46-15/16	11-3/8	9	72	42-GC6201-02	46-1/2	11-7/8	9-1/2	82	53-1/2	51	9-1/4	5/16	7	33
48	48-GC5201-02	52-15/16	11-3/8	9	83	48-GC6201-02	52-1/2	11-7/8	9-1/2	92	59-1/2	57	9-1/4	5/16	7	39
54	54-GC5201-02	58-15/16	11-3/4	9-1/4	94	54-GC6201-02	58-1/2	12-1/8	9-3/4	105	65-1/2	63	11-1/2	3/8	7	45
60	60-GC5201-02	64-15/16	11-3/4	9-1/4	104	60-GC6201-02	64-1/2	12-1/8	9-3/4	116	71-1/2	69	11-1/2	3/8	7	51
72	72-GC5201-02	76-15/16	11-3/4	9-1/4	123	72-GC6201-02	76-1/2	12-1/8	9-3/4	138	83-1/2	81	11-1/2	3/8	9	57

① Use washers on 1/2-inch bolts.

20° Troughing Impact Idler — Unequal Length Rolls

Made-to-Order Only



Dimensions (in) — Average Weight (lb)

Belt Width	5" Roll					6" Roll					B	C	E	G	J	L
	Product Number	A	F	H	Idler Weight	Product Number	A	F	H	Idler Weight						
24	24-GC5203-02	28-15/16	11	8-9/16	50	24-GC6203-02	28-1/2	11-1/2	9-1/16	60	35-1/2	33	9-1/4	5/16	7	15
30	30-GC5203-02	34-15/16	11	8-9/16	60	30-GC6203-02	34-1/2	11-1/2	9-1/16	68	41-1/2	39	9-1/4	5/16	7	21
36	36-GC5203-02	40-15/16	11-1/16	8-11/16	69	36-GC6203-02	40-1/2	11-9/16	9-3/16	76	47-1/2	45	9-1/4	5/16	7	27
42	42-GC5203-02	46-15/16	11-3/8	9	76	42-GC6203-02	46-1/2	11-7/8	9-1/2	85	53-1/2	51	9-1/4	5/16	7	33
48	48-GC5203-02	52-15/16	11-3/8	9	86	48-GC6203-02	52-1/2	11-7/8	9-1/2	97	59-1/2	57	9-1/4	5/16	7	39
54	54-GC5203-02	58-15/16	11-3/4	9-1/4	98	54-GC6203-02	58-1/2	12-1/8	9-3/4	109	65-1/2	63	11-1/2	3/8	7	45
60	60-GC5203-02	64-15/16	11-3/4	9-1/4	109	60-GC6203-02	64-1/2	12-1/8	9-3/4	121	71-1/2	69	11-1/2	3/8	7	51
72	72-GC5203-02	76-15/16	11-3/4	9-1/4	130	72-GC6203-02	76-1/2	12-1/8	9-3/4	142	83-1/2	81	11-1/2	3/8	9	57

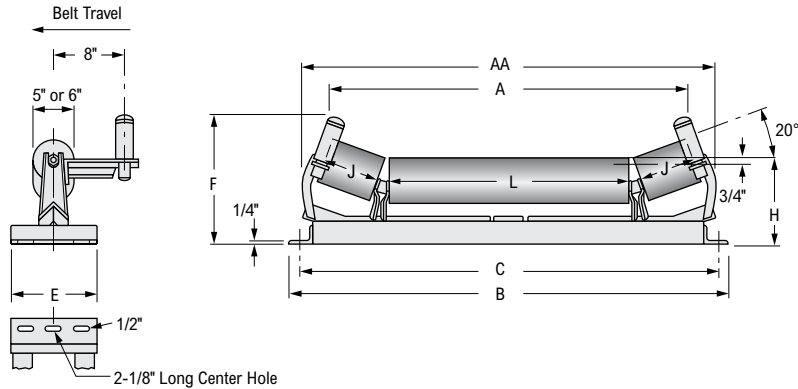
① Use washers on 1/2-inch bolts.

Series C Dimensions

20° Troughing Idler — Unequal Length Rolls

Made-to-Order Only

Positive Arm Type — Belt Travel One Direction Only



Dimensions (in) — Average Weight (lb)

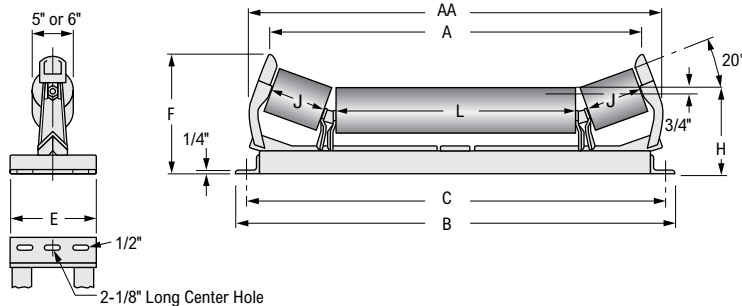
Belt Width	5" Roll			6" Roll			A	AA	B	C	E	F	J	L
	Product Number	H	Idler Weight	Product Number	H	Idler Weight								
24	24-GC5213-02	9-1/4	118	24-GC6213-02	9-3/4	132	29-3/16	34-9/16	35	33	10	14-3/16	7	15
30	30-GC5213-02	9-1/4	132	30-GC6213-02	9-3/4	145	35-3/16	40-9/16	41	39	10	14-3/16	7	21
36	36-GC5213-02	9-5/16	146	36-GC6213-02	9-13/16	159	41-3/16	46-9/16	47	45	10	14-1/4	7	27
42	42-GC5213-02	9-13/16	163	42-GC6213-02	10-5/16	175	47-3/16	52-9/16	53	51	14-1/2	14-3/4	7	33
48	48-GC5213-02	9-13/16	178	48-GC6213-02	10-5/16	192	53-3/16	58-9/16	59	57	14-1/2	14-3/4	7	39
54	54-GC5213-02	10-3/16	192	54-GC6213-02	10-11/16	206	59-3/16	64-9/16	65	63	14-1/2	15-1/8	7	45
60	60-GC5213-02	10-3/16	208	60-GC6213-02	10-11/16	221	65-3/16	70-9/16	71	69	14-1/2	15-1/8	7	51
72	72-GC5213-02	10-9/16	227	72-GC6213-02	11-1/16	239	76-13/16	82-3/8	84	81	16-1/2	16-3/8	9	57

- ① Use washers on 1/2-inch bolts.
- ② Approximate distance to the top of the center roll of other idlers.
- ③ 0.31" to 0.72" belt width.

20° Troughing Training Idler — Unequal Length Rolls

Made-to-Order Only

Actuating Shoe Type — Belt Travel Either Direction



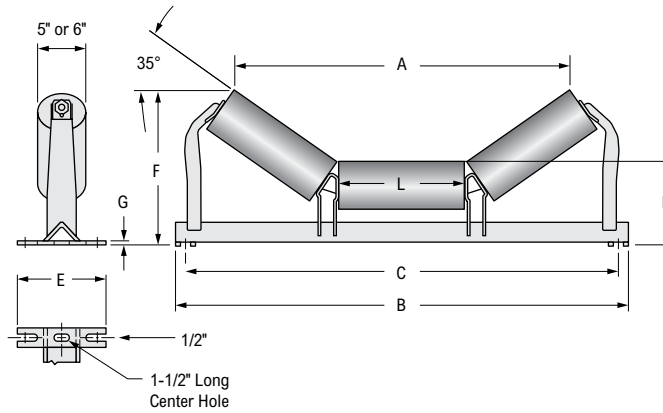
Dimensions (in) — Average Weight (lb)

Belt Width	5" Roll					6" Roll					AA	B	C	E	J	L
	Product Number	A	F	H	Idler Weight	Product Number	A	F	H	Idler Weight						
24	24-GC5211-02	29-3/4	13-3/16	9-1/4	116	24-GC6211-02	29-1/8	14-1/4	9-3/4	128	34-9/16	35	33	10	7	15
30	30-GC5211-02	35-3/4	13-3/16	9-1/4	130	30-GC6211-02	35-1/8	14-1/4	9-3/4	143	40-9/16	41	39	10	7	21
36	36-GC5211-02	41-3/4	13-1/4	9-5/16	144	36-GC6211-02	41-1/8	14-5/16	9-13/16	156	46-9/16	47	45	10	7	27
42	42-GC5211-02	47-3/4	13-3/4	9-13/16	160	42-GC6211-02	47-1/8	14-13/16	10-5/16	172	52-9/16	53	51	14-1/2	7	33
48	48-GC5211-02	53-3/4	13-3/4	9-13/16	175	48-GC6211-02	53-1/8	14-13/16	10-5/16	190	58-9/16	59	57	14-1/2	7	39
54	54-GC5211-02	59-3/4	14-1/8	10-3/16	190	54-GC6211-02	59-1/8	15-3/16	10-11/16	203	64-9/16	65	63	14-1/2	7	45
60	60-GC5211-02	65-3/4	14-1/8	10-3/16	206	60-GC6211-02	65-1/8	15-3/16	10-11/16	218	70-9/16	71	69	14-1/2	7	51
72	72-GC5211-02	78-3/4	14-1/8	10-9/16	225	72-GC6211-02	78-1/8	15-3/16	11-1/16	237	81-9/16	84	81	16-1/2	9	57

- ① Use washers on 1/2-inch bolts.
- ② Approximate distance to the top of the center roll of other idlers.
- ③ 0.31" to 0.72" belt width.

Series C Dimensions

35° Troughing Idler — Equal Length Rolls

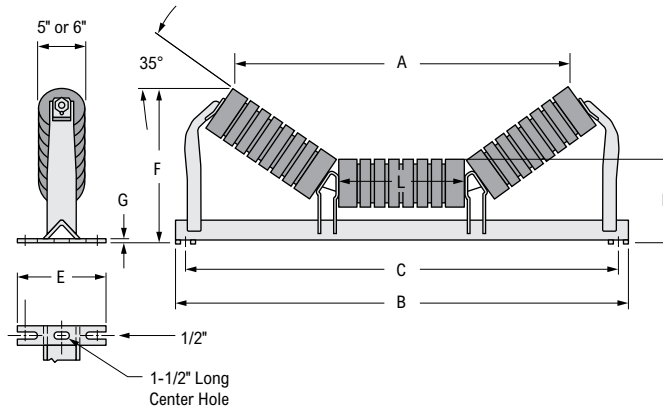


Dimensions (in) — Average Weight (lb)

Belt Width	5" Roll					6" Roll					B	C	E	G	L
	Product Number	A	F	H	Idler Weight	Product Number	A	F	H	Idler Weight					
18	18-GC5300-02	18-15/16	12-11/16	8-9/16	42	18-GC6300-02	18-3/8	13-1/16	9-1/16	49	29	27	9-1/4	5/16	7
20	20-GC5300-02	20-15/16	12-11/16	8-9/16	46	20-GC6300-02	20-3/8	13-1/16	9-1/16	54	31	29	9-1/4	5/16	9
24	24-GC5300-02	24-3/16	13-13/16	8-9/16	50	24-GC6300-02	23-3/8	14-3/16	9-1/16	59	35	33	9-1/4	5/16	9
30	30-GC5300-02	29-7/16	14-13/16	8-9/16	58	30-GC6300-02	28-7/8	15-5/16	9-1/16	69	41	39	9-1/4	5/16	11
36	36-GC5300-02	34-3/4	16-1/8	8-11/16	69	36-GC6300-02	34-3/16	16-9/16	9-3/16	78	47	45	9-1/4	5/16	13
42	42-GC5300-02	40	17-5/8	9	77	42-GC6300-02	39-7/16	18	9-1/2	88	53	51	9-1/4	5/16	15
48	48-GC5300-02	45-5/16	18-3/4	9	90	48-GC6300-02	44-3/4	19-3/16	9-1/2	101	59	57	9-1/4	5/16	17
54	54-GC5300-02	50-9/16	20-1/4	9-1/4	102	54-GC6300-02	50	20-11/16	9-3/4	115	65-1/2	63	11-1/2	3/8	19
60	60-GC5300-02	55-7/8	21-7/16	9-1/4	114	60-GC6300-02	55-1/4	21-13/16	9-3/4	130	71-1/2	69	11-1/2	3/8	21
72	72-GC5300-02	66-1/4	24	9-11/16	148	72-GC6300-02	65-7/8	24-1/2	10-3/16	157	83-1/2	81	11-1/2	3/8	25

① Use washers on 1/2-inch bolts.

35° Troughing Impact Idler — Equal Length Rolls



Dimensions (in) — Average Weight (lb)

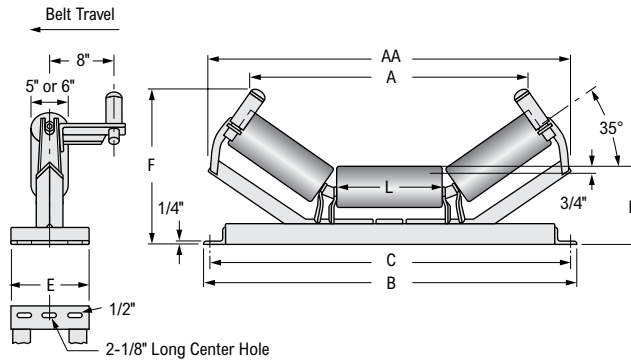
Belt Width	5" Roll					6" Roll					B	C	E	G	L
	Product Number	A	F	H	Idler Weight	Product Number	A	F	H	Idler Weight					
18	18-GC5302-02	18-15/16	12-11/16	8-9/16	44	18-GC6302-02	18-3/8	13-1/16	9-1/16	52	29	27	9-1/4	5/16	7
20	20-GC5302-02	20-15/16	12-11/16	8-9/16	48	20-GC6302-02	20-3/8	13-1/16	9-1/16	57	31	29	9-1/4	5/16	9
24	24-GC5302-02	24-3/16	13-13/16	8-9/16	52	24-GC6302-02	23-5/8	14-3/16	9-1/16	61	35	33	9-1/4	5/16	9
30	30-GC5302-02	29-7/16	14-15/16	8-9/16	61	30-GC6302-02	28-7/8	15-5/16	9-1/16	72	41	39	9-1/4	5/16	11
36	36-GC5302-02	34-3/4	16-1/8	8-11/16	73	36-GC6302-02	34-3/16	16-9/16	9-3/16	82	47	45	9-1/4	3/16	13
42	42-GC5302-02	40	17-5/8	9	81	42-GC6302-02	39-7/16	18	9-1/2	92	53	51	9-1/4	5/16	15
48	48-GC5302-02	45-5/16	18-3/4	9	94	48-GC6302-02	44-3/4	19-3/16	9-1/2	105	59	57	9-1/4	5/16	17
54	54-GC5302-02	50-9/16	20-1/4	9-1/4	105	54-GC6302-02	50	20-11/16	9-3/4	120	65-1/2	63	11-1/2	3/8	19
60	60-GC5302-02	55-7/8	21-7/16	9-1/4	119	60-GC6302-02	55-1/4	21-13/16	9-3/4	135	71-1/2	69	11-1/2	3/8	21
72	72-GC5302-02	66-1/4	24	9-11/16	145	72-GC6302-02	65-7/8	24-1/2	10-3/16	161	83-1/2	81	11-1/2	3/8	25

① Use washers on 1/2-inch bolts.

Series C Dimensions

35° Troughing Training Idler — Equal Length Rolls

Positive Arm Type — Belt Travel One Direction Only



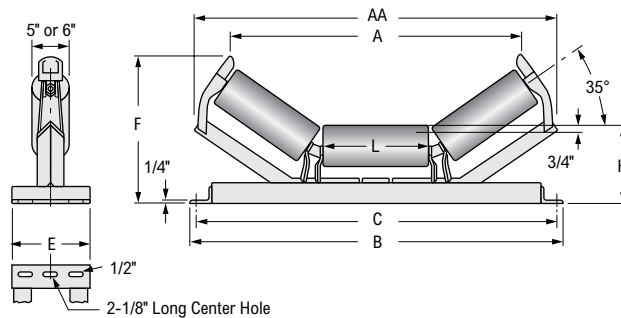
Dimensions (in) — Average Weight (lb)

Belt Width	5" Roll			6" Roll			A	AA	B	C	E	F	L
	Product Number	H	Idler Weight	Product Number	H	Idler Weight							
18	18-GC5312-02	9-1/4	104	18-GC6312-02	9-3/4	116	20	30-13/16	29	27	10	16-1/16	7
20	20-GC5312-02	9-1/4	109	20-GC6312-02	9-3/4	121	22	32-13/16	31	29	10	16-1/16	9
24	24-GC5312-02	9-1/4	120	24-GC6312-02	9-3/4	132	23-13/16	36-1/8	35	33	10	17	9
30	30-GC5312-02	9-1/4	135	30-GC6312-02	9-3/4	147	29-1/16	41-3/8	41	39	10	18-1/8	11
36	36-GC5312-02	9-5/16	149	36-GC6312-02	9-13/16	162	35-3/4	46-11/16	47	45	10	19-5/16	13
42	42-GC5312-02	9-13/16	166	42-GC6312-02	10-5/16	178	41-1/16	52-3/8	53	51	14-1/4	21-1/4	15
48	48-GC5312-02	9-13/16	181	48-GC6312-02	10-5/16	194	46-5/16	57-11/16	59	57	14-1/2	22-3/8	17
54	54-GC5312-02	10-3/16	196	54-GC6312-02	10-11/16	209	51-5/8	65-3/4	65	63	14-1/2	23-7/8	19
60	60-GC5312-02	10-3/16	212	60-GC6312-02	10-11/16	225	56-7/8	68-9/16	71	69	14-1/2	25	21
72	72-GC5312-02	10-3/16	231	72-GC6312-02	10-11/16	244	67-7/16	79-9/16	83	81	16-1/2	27-5/8	25

- ① Use washers on 1/2-inch bolts.
- ② Approximate distance to the top of the center roll of other idlers.
- ③ 0.31" to 0.72" belt width.

35° Troughing Training Idler — Equal Length Rolls

Actuating Shoe Type — Belt Travel Either Direction



Dimensions (in) — Average Weight (lb)

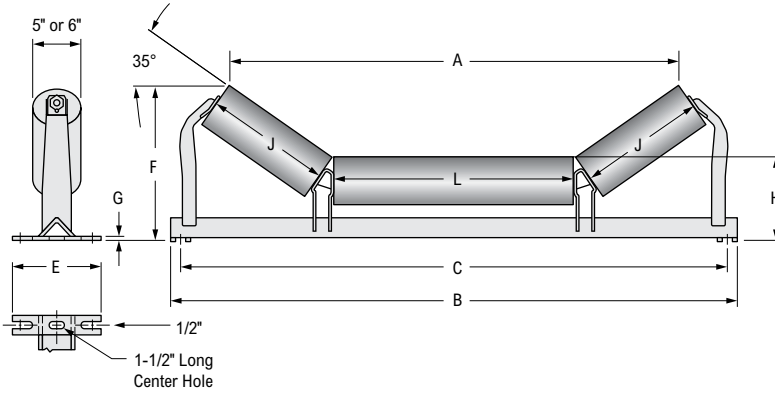
Belt Width	5" Roll					6" Roll					AA	B	C	E	L
	Product Number	A	F	H	Idler Weight	Product Number	A	F	H	Idler Weight					
18	18-GC5310-02	20-3/8	15-1/16	9-1/4	102	18-GC6310-02	19-1/16	16	9-3/4	114	30-13/16	29	27	10	7
20	20-GC5310-02	22-3/8	15-1/16	9-1/4	107	20-GC6310-02	21-1/16	16	9-3/4	119	32-13/16	31	29	10	9
24	24-GC5310-02	25-5/8	16-1/4	9-1/4	118	24-GC6310-02	24-5/16	17-1/8	9-3/4	130	36-1/8	35	33	10	9
30	30-GC5310-02	30-15/16	17-3/8	9-1/4	133	30-GC6310-02	29-5/8	18-1/4	9-3/4	145	41-3/8	41	39	10	11
36	36-GC5310-02	36-3/16	18-1/8	9-5/16	147	36-GC6310-02	34-7/8	19	9-13/16	160	46-11/16	47	45	10	13
42	42-GC5310-02	41-1/2	20-1/4	9-13/16	163	42-GC6310-02	40-3/16	21-1/8	10-5/16	176	52-3/8	53	51	14-1/2	15
48	48-GC5310-02	46-3/4	21-3/8	9-13/16	178	48-GC6310-02	45-7/16	22-5/16	10-5/16	191	57-11/16	59	57	14-1/2	17
54	54-GC5310-02	52	22-15/16	10-3/16	193	54-GC6310-02	50-3/4	23-13/16	10-11/16	206	65-3/4	65	63	14-1/2	19
60	60-GC5310-02	57-5/16	24-1/16	10-3/16	209	60-GC6310-02	56	24-15/16	10-11/16	222	68-9/16	71	69	14-1/2	21
72	72-GC5310-02	67-7/8	26-3/4	10-3/16	227	72-GC6310-02	67-3/4	27-1/4	10-11/16	240	79-5/8	83	81	16-3/4	25

- ① Use washers on 1/2-inch bolts.
- ② Approximate distance to the top of the center roll of other idlers.
- ③ 0.31" to 0.72" belt width.

Series C Dimensions

35° Troughing Idler — Unequal Length Rolls

Made-to-Order Only



Dimensions (in) — Average Weight (lb)

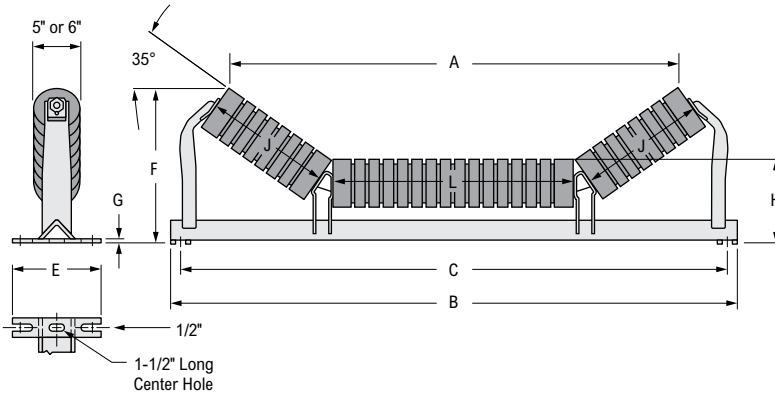
Belt Width	5" Roll					6" Roll					B	C	E	G	J	L
	Product Number	A	F	H	Idler Weight	Product Number	A	F	H	Idler Weight						
30	30-GC5301-02	30-3/16	13-13/16	8-9/16	58	30-GC6301-02	29-5/8	14-3/16	9-1/16	69	41	39	9-1/4	5/16	9	15
36	36-GC5301-02	36-3/16	13-7/8	8-11/16	69	36-GC6301-02	35-5/8	14-1/4	9-3/16	78	47	45	9-1/4	5/16	9	21
42	42-GC5301-02	42-3/8	14-3/16	9	77	42-GC6301-02	41-5/8	14-9/16	9-1/2	88	53	51	9-1/4	5/16	9	27
48	48-GC5301-02	48-3/16	14-3/16	9	90	48-GC6301-02	47-5/8	14-9/16	9-1/2	101	59	57	9-1/4	5/16	9	33
54	54-GC5301-02	54-3/16	14-9/16	9-1/4	102	54-GC6301-02	53-5/8	14-15/16	9-3/4	115	65-1/2	63	11-1/2	3/8	9	39
60	60-GC5301-02	60-3/16	14-9/16	9-1/4	114	60-GC6301-02	59-5/8	14-15/16	9-3/4	130	71-1/2	69	11-1/2	3/8	9	45
72	72-GC5301-02	72-3/16	14-7/8	9-11/16	129	72-GC6301-02	71-5/8	15-1/4	10-3/16	145	83-1/2	81	11-1/2	3/8	9	57

① Use washers on 1/2-inch bolts.

NOTE: Contact Rexnord for load rating.

35° Troughing Impact Idler — Unequal Length Rolls

Made-to-Order Only



Dimensions (in) — Average Weight (lb)

Belt Width	5" Roll					6" Roll					B	C	E	G	J	L
	Product Number	A	F	H	Idler Weight	Product Number	A	F	H	Idler Weight						
30	30-GC5303-02	30-3/16	13-13/16	8-9/16	59	30-GC6303-02	29-5/8	14-3/16	9-1/16	70	41	39	9-1/4	5/16	9	15
36	36-GC5303-02	36-3/16	13-7/8	8-11/16	70	36-GC6303-02	35-5/8	14-1/4	9-3/16	79	47	45	9-1/4	5/16	9	21
42	42-GC5303-02	42-3/8	14-3/16	9	79	42-GC6303-02	41-5/8	14-9/16	9-1/2	90	53	51	9-1/4	5/16	9	27
48	48-GC5303-02	48-3/16	14-3/16	9	92	48-GC6303-02	47-5/8	14-9/16	9-1/2	103	59	57	9-1/4	5/16	9	33
54	54-GC5303-02	54-3/16	14-9/16	9-1/4	105	54-GC6303-02	53-5/8	14-15/16	9-3/4	118	65-1/2	63	11-1/2	3/8	9	39
60	60-GC5303-02	60-3/16	14-9/16	9-1/4	117	60-GC6303-02	59-5/8	14-15/16	9-3/4	133	71-1/2	69	11-1/2	3/8	9	45
72	72-GC5303-02	72-3/16	14-7/8	9-11/16	132	72-GC6303-02	71-5/8	15-1/4	10-3/16	147	83-1/2	81	11-1/2	3/8	9	57

① Use washers on 1/2-inch bolts.

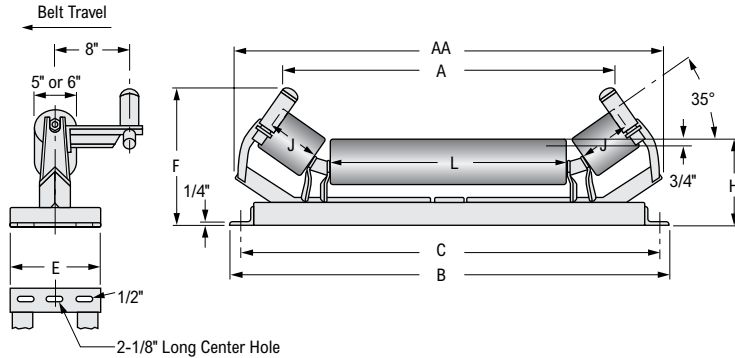
NOTE: Contact Rexnord for load rating.

Series C Dimensions

35° Troughing Training Idler — Unequal Length Rolls

Positive Arm Type — Belt Travel One Direction Only

Made-to-Order Only



Dimensions (in) — Average Weight (lb)

Belt Width	5" Roll			6" Roll			A	AA	B	C	E	F	J	L
	Product Number	H	Idler Weight	Product Number	H	Idler Weight								
30	30-GC5313-02	9-1/4	135	30-GC6313-02	9-3/4	147	31-1/4	42-1/8	41	39	10	17-5/16	9	15
36	36-GC5313-02	9-5/16	149	36-GC6313-02	9-13/16	162	37-1/4	48-1/8	47	45	10	17-3/8	9	21
42	42-GC5313-02	9-13/16	166	42-GC6313-02	10-5/16	178	43-1/4	54-9/16	53	51	14-1/2	17-7/8	9	27
48	48-GC5313-02	9-13/16	181	48-GC6313-02	10-5/16	194	49-1/4	60-9/16	59	57	14-1/2	17-7/8	9	33
54	54-GC5313-02	10-3/16	196	54-GC6313-02	10-11/16	209	55-1/4	66-7/8	65	63	14-1/2	18-1/4	9	39
60	60-GC5313-02	10-3/16	212	60-GC6313-02	10-11/16	225	61-1/4	72-7/8	71	69	14-1/2	18-1/4	9	45
72	72-GC5313-02	10-3/16	231	72-GC6313-02	10-11/16	243	72-1/4	85-1/4	83	81	16-1/2	18-1/4	9	57

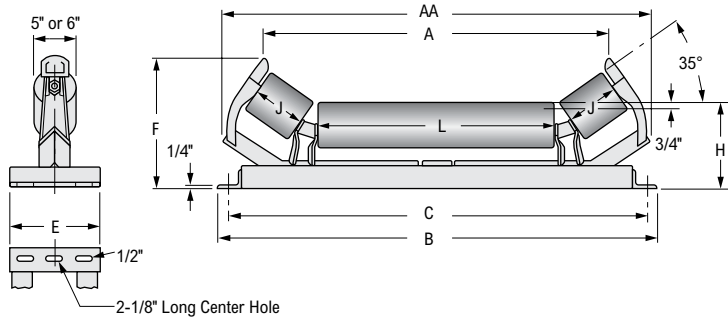
- ① Use washers on 1/2-inch bolts.
- ② Approximate distance to the top of the center roll of other idlers.
- ③ 0.31" to 0.72" belt width.

NOTE: Contact Rexnord for load rating.

35° Troughing Training Idler — Unequal Length Rolls

Actuating Shoe Type — Belt Travel Either Direction

Made-to-Order Only



Dimensions (in) — Average Weight (lb)

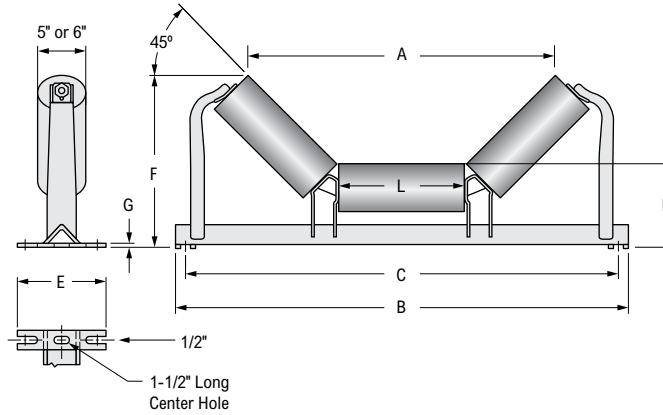
Belt Width	5" Roll					6" Roll					AA	B	C	E	J	L
	Product Number	A	F	H	Idler Weight	Product Number	A	F	H	Idler Weight						
30	30-GC5311-02	31-5/8	16-5/16	9-1/4	132	30-GC6311-02	30-5/16	17-1/8	9-3/4	145	42-1/8	41	39	10	9	15
36	36-GC5311-02	37-5/8	16-3/8	9-5/16	147	36-GC6311-02	36-5/16	17-3/16	9-3/16	160	48-1/8	47	45	10	9	21
42	42-GC5311-02	43-5/8	16-7/8	9-13/16	163	42-GC6311-02	46-5/16	17-11/16	10-5/16	176	54-1/8	53	51	14-1/2	9	27
48	48-GC5311-02	49-5/8	16-7/8	9-13/16	178	48-GC6311-02	48-5/16	17-11/16	10-5/16	191	60-9/16	59	57	14-1/2	9	33
54	54-GC5311-02	55-5/8	17-1/4	10-3/16	193	54-GC6311-02	54-5/16	18-1/16	10-11/16	206	66-7/8	65	63	14-1/2	9	39
60	60-GC5311-02	61-5/8	17-1/4	10-3/16	209	60-GC6311-02	60-5/16	18-1/16	10-11/16	222	72-7/8	71	69	14-1/2	9	45
72	72-GC5311-02	73-3/8	17-1/2	10-3/16	229	72-GC6311-02	72-1/2	18-3/8	10-11/16	240	85-1/4	83	81	16-1/2	9	57

- ① Use washers on 1/2-inch bolts.
- ② Approximate distance to the top of the center roll of other idlers.
- ③ 0.31" to 0.72" belt width.

NOTE: Contact Rexnord for load rating.

Series C Dimensions

45° Troughing Idler — Equal Length Rolls

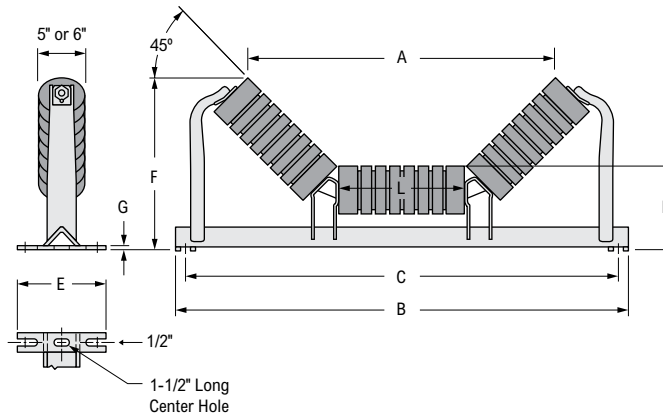


Dimensions (in) — Average Weight (lb)

Belt Width	5" Roll					6" Roll					B	C	E	G	L
	Product Number	A	F	H	Idler Weight	Product Number	A	F	H	Idler Weight					
18	18-GC5400-02	17-11/16	13-5/8	8-9/16	45	18-GC6400-02	17	14	9-1/16	51	29	27	9-1/4	5/16	7
20	20-GC5400-02	19-11/16	13-5/8	8-9/16	49	20-GC6400-02	19	14	9-1/16	57	31	29	9-1/4	5/16	9
24	24-GC5400-02	22-1/4	15-1/16	8-9/16	53	24-GC6400-02	21-9/16	15-3/8	9-1/16	62	35	33	9-1/4	5/16	9
30	30-GC5400-02	27-1/16	16-7/16	8-9/16	61	30-GC6400-02	26-3/8	16-13/16	9-1/16	72	41	39	9-1/4	5/16	11
36	36-GC5400-02	31-15/16	17-15/16	8-11/16	72	36-GC6400-02	31-3/16	18-5/16	9-3/16	81	47	45	9-1/4	5/16	13
42	42-GC5400-02	36-3/4	19-5/8	9	80	42-GC6400-02	36-1/16	20	9-1/2	92	53	51	9-1/4	5/16	15
48	48-GC5400-02	41-9/16	21-1/16	9	94	48-GC6400-02	40-7/8	21-7/16	9-1/2	105	59	57	9-1/4	5/16	17
54	54-GC5400-02	46-3/8	22-7/8	9-1/4	106	54-GC6400-02	45-11/16	23-3/16	9-3/4	119	65-1/2	63	11-1/2	3/8	19
60	60-GC5400-02	51-1/4	24-1/4	9-1/4	117	60-GC6400-02	50-1/2	24-5/8	9-3/4	134	71-1/2	69	11-1/2	3/8	21
72	72-GC5400-02	60-15/16	27-1/2	9-11/16	146	72-GC6400-02	60-1/4	27-13/16	10-3/16	163	83-1/2	81	11-1/2	3/8	25

① Use washers on 1/2-inch bolts.

45° Troughing Impact Idler — Equal Length Rolls



Dimensions (in) — Average Weight (lb)

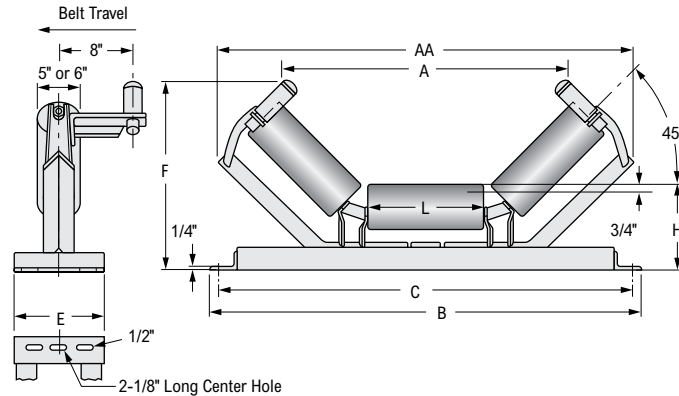
Belt Width	5" Roll					6" Roll					B	C	E	G	L
	Product Number	A	F	H	Idler Weight	Product Number	A	F	H	Idler Weight					
18	18-GC5402-02	17-11/16	13-5/8	8-9/16	47	18-GC6402-02	17	14	9-1/16	54	29	27	9-1/4	5/16	7
20	20-GC5402-02	19-11/16	13-5/8	8-9/16	51	20-GC6402-02	19	14	9-1/16	60	31	29	9-1/4	5/16	9
24	24-GC5402-02	22-1/4	15-1/16	8-9/16	55	24-GC6402-02	21-9/16	15-3/8	9-1/16	65	35	33	9-1/4	5/16	9
30	30-GC5402-02	27-1/16	16-7/16	8-9/16	64	30-GC6402-02	26-3/8	16-13/16	9-1/16	75	41	39	9-1/4	5/16	11
36	36-GC5402-02	31-15/16	17-15/16	8-11/16	75	36-GC6402-02	31-3/16	18-5/8	9-3/16	84	47	45	9-1/4	5/16	13
42	42-GC5402-02	36-3/4	19-5/8	9	84	42-GC6402-02	36-1/16	20	9-1/2	96	53	51	9-1/4	5/16	15
48	48-GC5402-02	41-9/16	21-1/16	9	98	48-GC6402-02	40-7/8	21-7/16	9-1/2	109	59	57	9-1/4	5/16	17
54	54-GC5402-02	46-3/8	22-7/8	9-1/4	110	54-GC6402-02	45-11/16	23-3/16	9-3/4	123	65-1/2	63	11-1/2	3/8	19
60	60-GC5402-02	51-1/4	24-1/4	9-1/4	121	60-GC6402-02	50-1/2	24-5/8	9-3/4	139	71-1/2	69	11-1/2	3/8	21
72	72-GC5402-02	60-15/16	27-1/2	9-11/16	148	72-GC6402-02	60-1/4	27-13/16	10-3/16	167	83-1/2	81	11-1/2	3/8	25

① Use washers on 1/2-inch bolts.

Series C Dimensions

45° Troughing Training Idler — Equal Length Rolls

Positive Arm Type — Belt Travel One Direction Only



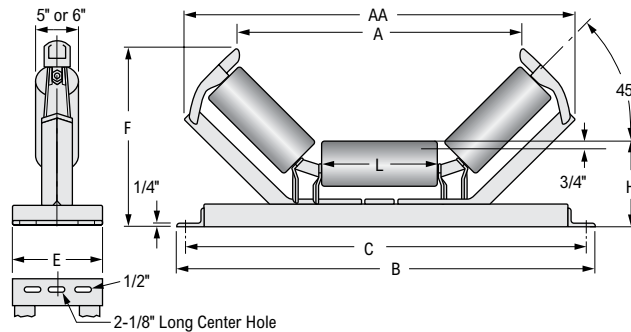
Dimensions (in) — Average Weight (lb)

Belt Width	5" Roll			6" Roll			A	AA	B	C	E	F	L
	Product Number	H	Idler Weight	Product Number	H	Idler Weight							
18	18-GC5412-02	9-1/4	106	18-GC6412-02	9-3/4	118	17-3/4	31-7/8	29	27	10	17-1/16	7
20	20-GC5412-02	9-1/4	111	20-GC6412-02	9-3/4	123	19-3/4	33-7/8	31	29	10	17-1/16	9
24	24-GC5412-02	9-1/4	122	24-GC6412-02	9-3/4	134	22-9/16	36-9/16	35	33	10	18-1/2	9
30	30-GC5412-02	9-1/4	137	30-GC6412-02	9-3/4	149	27-3/8	41-3/8	41	39	10	20	11
36	36-GC5412-02	9-5/16	149	36-GC6412-02	9-13/16	164	32-3/16	46-1/4	47	45	10	21-3/8	13
42	42-GC5412-02	9-13/16	169	42-GC6412-02	10-5/16	181	37	51-9/16	53	51	14-1/2	22-3/16	15
48	48-GC5412-02	9-13/16	183	48-GC6412-02	10-5/16	196	41-7/8	56-3/8	59	57	14-1/2	24-3/4	17
54	54-GC5412-02	10-3/16	198	54-GC6412-02	10-11/16	212	46-11/16	61-5/8	65	63	14-1/2	26-1/2	19
60	60-GC5412-02	10-3/16	215	60-GC6412-02	10-11/16	227	51-1/2	66-7/16	71	69	14-1/2	27-15/16	21
72	72-GC5412-02	10-3/16	254	72-GC6412-02	10-11/16	263	60-1/4	76-5/8	83	81	16-1/2	30-1/2	25

- ① Use washers on 1/2-inch bolts.
- ② Approximate distance to the top of the center roll of other idlers.
- ③ 0.31" to 0.72" belt width.

45° Troughing Training Idler — Equal Length Rolls

Actuating Shoe Type — Belt Travel Either Direction



Dimensions (in) — Average Weight (lb)

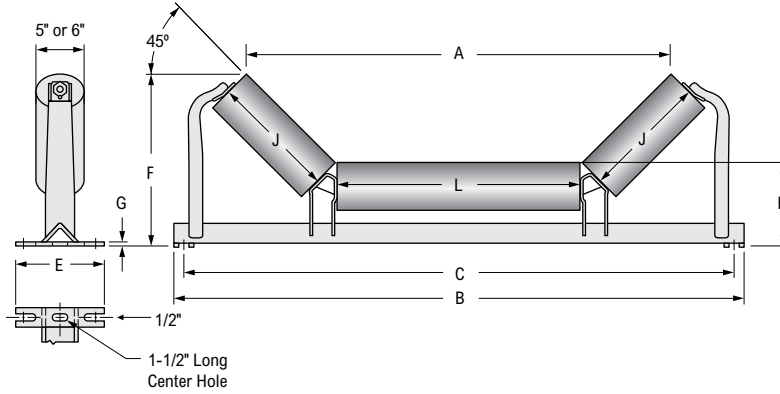
Belt Width	5" Roll					6" Roll					AA	B	C	E	L
	Product Number	A	F	H	Idler Weight	Product Number	A	F	H	Idler Weight					
18	18-GC5410-02	18-1/4	16-3/16	9-1/4	104	18-GC6410-02	16-5/8	16-15/16	9-3/4	116	31-7/8	29	27	10	7
20	20-GC5410-02	20-1/4	16-3/16	9-1/4	109	20-GC6410-02	18-5/8	16-15/16	9-3/4	121	33-7/8	31	29	10	9
24	24-GC5410-02	22-9/16	17-9/16	9-1/4	120	24-GC6410-02	21-1/2	18-5/16	9-3/4	132	35-9/16	35	33	10	9
30	30-GC5410-02	27-15/16	19-1/16	9-1/4	135	30-GC6410-02	26-5/16	19-3/4	9-3/4	147	41-3/8	41	39	10	11
36	36-GC5410-02	32-3/4	20-7/16	9-5/16	147	36-GC6410-02	31-1/8	21-1/4	9-13/16	162	46-1/4	47	45	10	13
42	42-GC5410-02	37-9/16	22-3/8	9-13/16	165	42-GC6410-02	35-15/16	23-1/8	10-5/16	178	51-9/16	53	51	14-1/2	15
48	48-GC5410-02	42-3/8	23-3/4	9-13/16	180	48-GC6410-02	40-13/16	24-9/16	10-5/16	193	56-3/8	59	57	14-1/2	17
54	54-GC5410-02	47-1/4	25-9/16	10-3/16	195	54-GC6410-02	45-5/8	26-5/16	10-11/16	208	61-5/8	65	63	14-1/2	19
60	60-GC5410-02	52-1/16	27	10-3/16	211	60-GC6410-02	50-7/16	27-3/4	10-11/16	224	66-7/16	71	69	14-1/2	21
72	72-GC5410-02	62-3/16	29-13/16	10-3/16	249	72-GC6410-02	60-3/4	30-9/16	10-11/16	260	76-5/8	83	81	16-1/2	25

- ① Use washers on 1/2-inch bolts.
- ② Approximate distance to the top of the center roll of other idlers.
- ③ 0.31" to 0.72" belt width.

Series C Dimensions

45° Troughing Idler — Unequal Length Rolls

Made-to-Order Only



Dimensions (in) — Average Weight (lb)

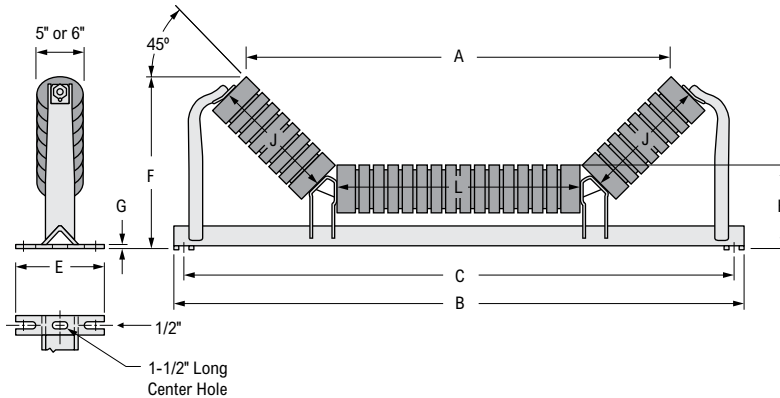
Belt Width	5" Roll					6" Roll					B	C	E	G	J	L
	Product Number	A	F	H	Idler Weight	Product Number	A	F	H	Idler Weight						
30	30-GC5401-02	28-1/4	15-1/16	8-9/16	59	30-GC6401-02	27-9/16	15-3/8	9-1/16	70	41	39	9-1/4	5/16	9	15
36	36-GC5401-02	34-1/4	15-1/8	8-11/16	75	36-GC6401-02	33-9/16	15-7/16	9-3/16	79	47	45	9-1/4	5/16	9	21
42	42-GC5401-02	40-1/4	15-7/16	9	82	42-GC6401-02	39-9/16	15-3/4	9-1/2	91	53	51	9-1/4	5/16	9	27
48	48-GC5401-02	46-1/4	15-7/16	9	91	48-GC6401-02	45-9/16	15-3/4	9-1/2	101	59	57	9-1/4	5/16	9	33
54	54-GC5401-02	52-1/4	15-13/16	9-1/4	102	54-GC6401-02	51-9/16	16-1/8	9-3/4	115	65-1/2	63	11-1/2	3/8	9	39
60	60-GC5401-02	58-1/4	15-13/16	9-1/4	114	60-GC6401-02	57-9/16	16-1/8	9-3/4	130	71-1/2	69	11-1/2	3/8	9	45
72	72-GC5401-02	70-1/4	15-13/16	9-11/16	141	72-GC6401-02	69-9/16	16-1/8	10-3/16	157	83-1/2	81	11-1/2	3/8	9	57

① Use washers on 1/2-inch bolts.

NOTE: Contact Rexnord for load rating.

45° Troughing Impact Idler — Unequal Length Rolls

Made-to-Order Only



Dimensions (in) — Average Weight (lb)

Belt Width	5" Roll					6" Roll					B	C	E	G	J	L
	Product Number	A	F	H	Idler Weight	Product Number	A	F	H	Idler Weight						
30	30-GC5403-02	28-1/4	15-1/16	8-9/16	62	30-GC6403-02	27-9/16	15-3/8	9-1/16	73	41	39	9-1/4	5/16	9	15
36	36-GC5403-02	34-1/4	15-1/8	8-11/16	73	36-GC6403-02	33-9/16	15-7/16	9-3/16	82	47	45	9-1/4	5/16	9	21
42	42-GC5403-02	40-1/4	15-7/16	9	81	42-GC6403-02	39-9/16	15-3/4	9-1/2	93	53	51	9-1/4	5/16	9	27
48	48-GC5403-02	46-1/4	15-7/16	9	95	48-GC6403-02	45-9/16	15-3/4	9-1/2	106	53	57	9-1/4	5/16	9	33
54	54-GC5403-02	52-1/4	15-13/16	9-1/4	106	54-GC6403-02	51-9/16	16-1/8	9-3/4	119	65-1/2	63	11-1/2	3/8	9	39
60	60-GC5403-02	58-1/4	15-13/16	9-1/4	117	60-GC6403-02	57-9/16	16-1/8	9-3/4	135	71-1/2	69	11-1/2	3/8	9	45
72	72-GC5403-02	70-1/4	15-13/16	9-11/16	143	72-GC6403-02	69-9/16	16-1/8	10-3/16	161	83-1/2	81	11-1/2	3/8	9	57

① Use washers on 1/2-inch bolts.

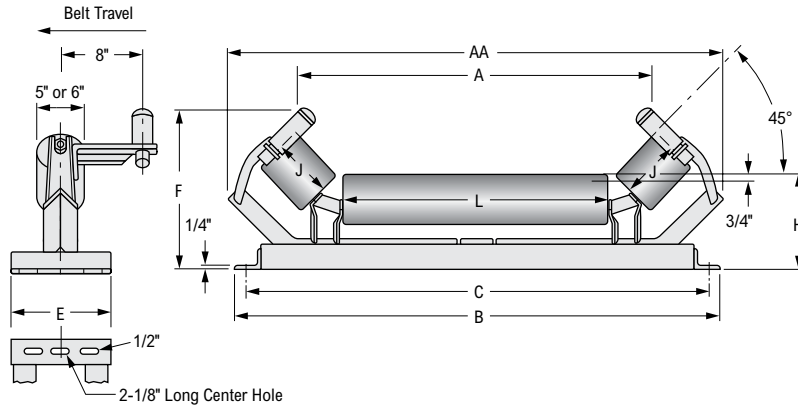
NOTE: Contact Rexnord for load rating.

Series C Dimensions

45° Troughing Training Idler — Unequal Length Rolls

Positive Arm Type — Belt Travel One Direction Only

Made-to-Order Only



Dimensions (in) — Average Weight (lb)

Belt Width	5" Roll			6" Roll			A	AA	B	C	E	F	J	L
	Product Number	H	Idler Weight	Product Number	H	Idler Weight								
30	30-GC5413-02	9-1/4	135	30-GC6413-02	9-3/4	147	28-9/16	42-9/16	41	39	10	18-1/2	9	15
36	36-GC5413-02	9-5/16	147	36-GC6413-02	9-13/16	162	34-9/16	48-5/8	47	45	10	18-9/16	9	21
42	42-GC5413-02	9-13/16	166	42-GC6413-02	10-5/16	180	40-9/16	55-1/16	53	51	14-1/2	19-1/16	9	27
48	48-GC5413-02	9-13/16	180	48-GC6413-02	10-5/16	193	46-9/16	61-1/16	59	57	14-1/2	19-1/16	9	33
54	54-GC5413-02	10-3/16	194	54-GC6413-02	10-11/16	208	52-9/16	67-1/2	65	63	14-1/2	19-7/16	9	39
60	60-GC5413-02	10-3/16	211	60-GC6413-02	10-11/16	223	58-9/16	73-1/2	71	69	14-1/2	19-7/16	9	45
72	72-GC5413-02	10-3/16	248	72-GC6413-02	10-11/16	259	69-5/8	86	83	81	16-1/2	19-7/16	9	57

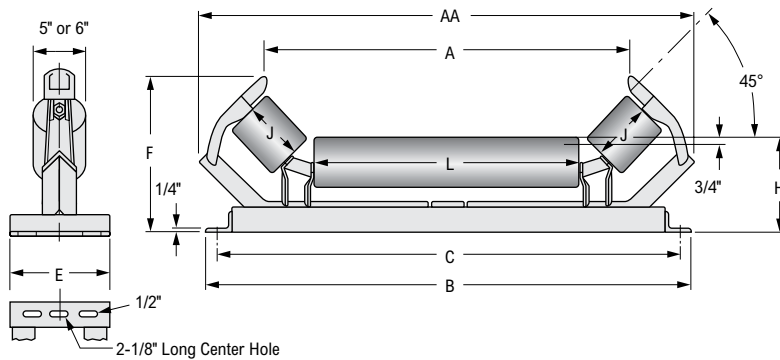
- ① Use washers on 1/2-inch bolts.
- ② Approximate distance to the top of the center roll of other idlers.
- ③ 0.31" to 0.72" belt width.

NOTE: Contact Rexnord for load rating.

45° Troughing Training Idler — Unequal Length Rolls

Actuating Shoe Type — Belt Travel Either Direction

Made-to-Order Only



Dimensions (in) — Average Weight (lb)

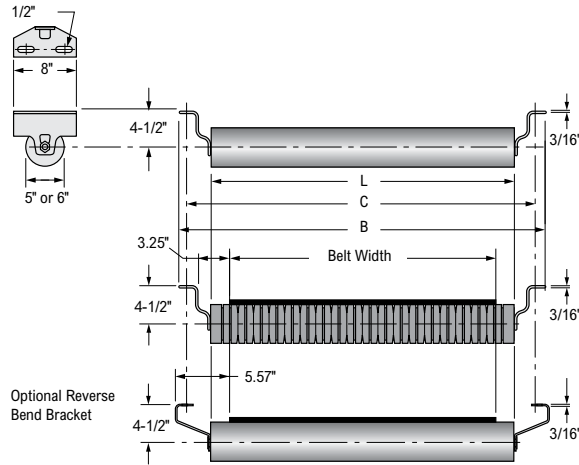
Belt Width	5" Roll					6" Roll					AA	B	C	E	J	L
	Product Number	A	F	H	Idler Weight	Product Number	A	F	H	Idler Weight						
30	30-GC5411-02	29-1/16	17-9/16	9-1/4	133	30-GC6411-02	27-1/2	18-5/16	9-3/4	145	42-9/16	41	39	10	9	15
36	36-GC5411-02	35-1/16	17-5/8	9-5/16	145	36-GC6411-02	33-1/2	18-3/8	9-13/16	160	48-5/8	47	45	10	9	21
42	42-GC5411-02	41-1/16	18-1/4	9-13/16	162	42-GC6411-02	39-1/2	18-7/8	10-5/16	177	55-1/16	53	51	14-1/2	9	27
48	48-GC5411-02	47-1/16	18-1/4	9-13/16	177	48-GC6411-02	45-1/2	18-7/8	10-5/16	190	61-1/16	59	57	14-1/2	9	33
54	54-GC5411-02	53-1/16	18-5/8	10-3/16	191	54-GC6411-02	51-1/2	19-1/4	10-11/16	204	67-1/2	65	63	14-1/2	9	39
60	60-GC5411-02	59-1/16	18-5/8	10-3/16	207	60-GC6411-02	57-1/2	19-1/4	10-11/16	220	73-1/2	71	69	14-1/2	9	45
72	72-GC5411-02	71-1/16	18-5/8	10-3/16	241	72-GC6411-02	69-1/2	19-1/4	10-11/16	255	80-5/16	83	81	16-1/2	9	57

- ① Use washers on 1/2-inch bolts.
- ② Approximate distance to the top of the center roll of other idlers.
- ③ 0.31" to 0.72" belt width.

NOTE: Contact Rexnord for load rating.

Series C Dimensions

Return Steel Idler



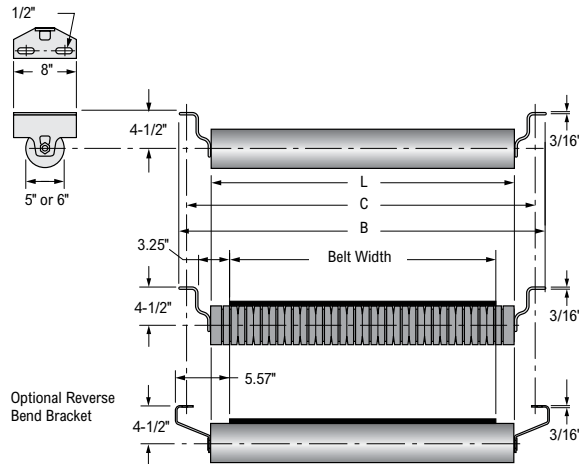
Dimensions (in) — Average Weight (lb)

Belt Width	5" Roll		6" Roll		B	C	L	
	Product Number	Idler Weight and Thickness	Product Number	Idler Weight and Thickness				
				0.149"				0.165"
18	18-GC5040-02	22	18-GC6040-02	33	41	29	27	21
20	20-GC5040-02	24	20-GC6040-02	35	44	31	29	23
24	24-GC5040-02	26	24-GC6040-02	38	49	35	33	27
30	30-GC5040-02	32	30-GC6040-02	44	58	41	39	33
36	36-GC5040-02	37	36-GC6040-02	50	56	47	45	39
42	42-GC5040-02	42	42-GC6040-02	56	75	53	51	45
48	48-GC5040-02	47	48-GC6040-02	62	83	59	57	51

① Use washers on 1/2-inch bolts.

② Available with 1-1/2-, 11-3/4- or 16-1/2-inch drop.

Return Rubber Idler



Dimensions (in) — Average Weight (lb)

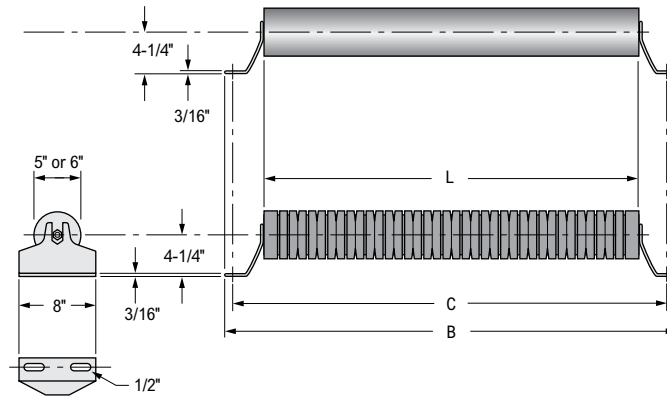
Belt Width	5" Roll		6" Roll		B	C	L	
	Product Number	Idler Weight and Thickness	Product Number	Idler Weight and Thickness				
				1.47"				1.97"
18	18-GC5049-02	32	18-GC6049-02	39	39	29	27	21
20	20-GC5049-02	32	20-GC6049-02	39	39	31	29	23
24	24-GC5049-02	38	24-GC6049-02	47	47	35	33	27
30	30-GC5049-02	49	30-GC6049-02	57	57	41	39	33
36	36-GC5049-02	57	36-GC6049-02	66	66	47	45	39
42	42-GC5049-02	64	42-GC6049-02	75	75	53	51	45
48	48-GC5049-02	73	48-GC6049-02	84	84	59	57	51

① Use washers on 1/2-inch bolts.

② Available with 1-1/2-, 11-3/4- or 16-1/2-inch drop.

Series C Dimensions

Flat Steel Idler

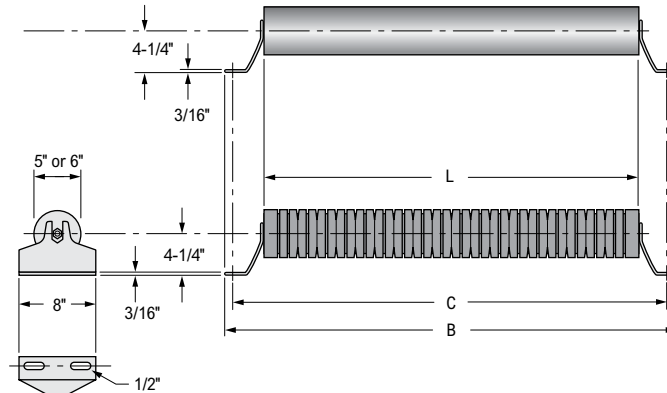


Dimensions (in) — Average Weight (lb)

Belt Width	5" Roll		6" Roll		B	C	L
	Product Number	Idler Weight and Thickness 0.149"	Product Number	Idler Weight and Thickness 0.165" 0.250"			
18	18-GC5020-02	22	18-GC6020-02	33 41	29	27	21
20	20-GC5020-02	24	20-GC6020-02	35 44	31	29	23
24	24-GC5020-02	26	24-GC6020-02	38 49	35	33	27
30	30-GC5020-02	32	30-GC6020-02	44 58	41	39	33
36	36-GC5020-02	37	36-GC6020-02	50 56	47	45	39
42	42-GC5020-02	42	42-GC6020-02	56 75	53	51	45
48	48-GC5020-02	47	48-GC6020-02	62 83	59	57	51

① Use washers on 1/2-inch bolts.

Flat Rubber Idler



Dimensions (in) — Average Weight (lb)

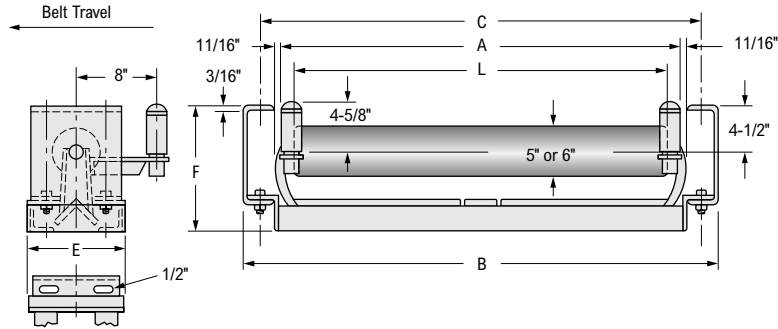
Belt Width	5" Roll		6" Roll		B	C	L
	Product Number	Idler Weight and Thickness 1.47"	Product Number	Idler Weight and Thickness 1.97"			
18	18-GC5025-02	32	18-GC6025-02	39	29	27	21
20	20-GC5025-02	32	20-GC6025-02	39	31	29	23
24	24-GC5025-02	38	24-GC6025-02	47	35	33	27
30	30-GC5025-02	49	30-GC6025-02	57	41	39	33
36	36-GC5025-02	57	36-GC6025-02	66	47	45	39
42	42-GC5025-02	64	42-GC6025-02	75	53	51	45
48	48-GC5025-02	73	48-GC6025-02	84	59	57	51

① Use washers on 1/2-inch bolts.

Series C Dimensions

Return Training Idler

Positive Arm Type — Belt Travel One Direction Only



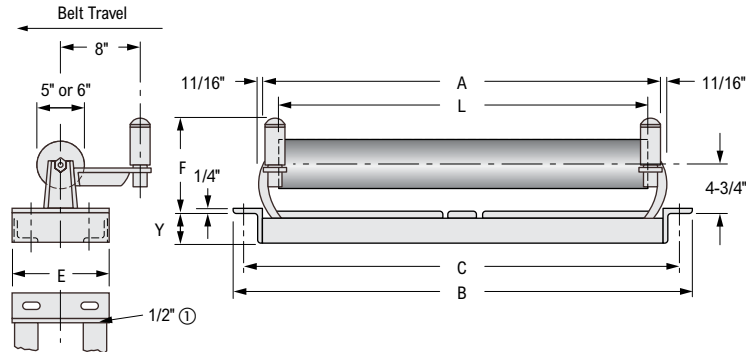
Dimensions (in) — Average Weight (lb)

Belt Width	5" Roll		6" Roll		A	B	C	E	F	L	
	Product Number	Idler Weight and Thickness 0.149"	Product Number	Idler Weight and Thickness							
				0.165"							0.250"
18	18-GC5052-02	90	18-GC6052-02	105	114	23-5/8	29-1/2	27	10	12-1/2	21
20	20-GC5052-02	102	20-GC6052-02	117	127	25-5/8	31-1/2	29	10	12-1/2	23
24	24-GC5052-02	110	24-GC6052-02	129	140	29-5/8	35-1/2	33	10	12-1/2	27
30	30-GC5052-02	126	30-GC6052-02	141	155	35-5/8	41-1/2	39	10	12-1/2	33
36	36-GC5052-02	148	36-GC6052-02	153	169	41-5/8	47-1/2	45	10	12-1/2	39
42	42-GC5052-02	157	42-GC6052-02	165	184	47-5/8	53-1/2	51	14-1/2	13	45
48	48-GC5052-02	167	48-GC6052-02	182	204	53-5/8	59-1/2	57	14-1/2	13	51

- ① Use washers on 1/2-inch bolts.
- ② Available with 1-1/2- or 11-3/4-inch drop.
- ③ 1/4" to 0.72" belt width.

Flat Training Idler

Positive Arm Type — Belt Travel One Direction Only



Dimensions (in) — Average Weight (lb)

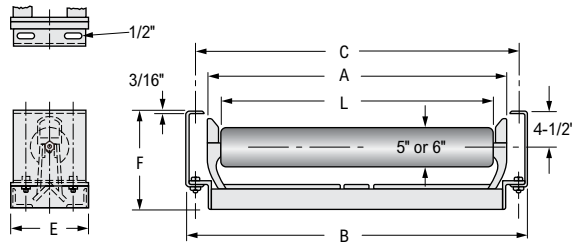
Belt Width	5" Roll		6" Roll		A	B	C	E	F	L	Y	
	Product Number	Idler Weight and Thickness 0.149"	Product Number	Idler Weight and Thickness								
				0.165"								0.250"
18	18-GC5031-02	85	18-GC6031-02	100	109	23-5/8	28-3/4	27	10	9-3/8	21	3-1/8
20	20-GC5031-02	97	20-GC6031-02	112	122	25-5/8	30-3/4	29	10	9-3/8	23	3-1/8
24	24-GC5031-02	105	24-GC6031-02	124	135	29-5/8	34-3/4	33	10	9-3/8	27	3-1/8
30	30-GC5031-02	121	30-GC6031-02	136	150	35-5/8	40-3/4	39	10	9-3/8	33	3-1/8
36	36-GC5031-02	143	36-GC6031-02	148	165	41-5/8	46-3/4	45	10	9-3/8	39	3-3/16
42	42-GC5031-02	152	42-GC6031-02	160	179	47-5/8	52-3/4	51	14-1/2	9-3/8	45	3-11/16
48	48-GC5031-02	162	48-GC6031-02	177	199	53-5/8	58-3/4	57	14-1/2	9-3/8	51	3-11/16

- ① Use washers on 1/2-inch bolts.

Series C Dimensions

Return Training Idler

Actuating Shoe Type — Belt Travel Either Direction



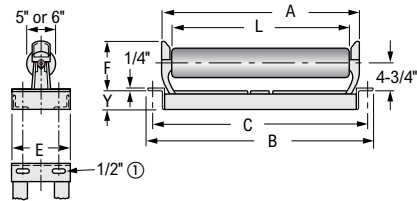
Dimensions (in) — Average Weight (lb)

Belt Width	5" Roll		6" Roll		A	B	C	E	F	L	
	Product Number	Idler Weight and Thickness 0.149"	Product Number	Idler Weight and Thickness							
				0.165"							0.250"
18	18-GC5051-02	88	18-GC6051-02	102	111	24-1/8	29-1/2	27	10	12-1/2	21
20	20-GC5051-02	100	20-GC6051-02	115	125	26-1/8	31-1/2	29	10	12-1/2	23
24	24-GC5051-02	112	24-GC6051-02	127	139	30-1/8	35-1/2	33	10	12-1/2	27
30	30-GC5051-02	125	30-GC6051-02	139	153	36-1/8	41-1/2	39	10	12-1/2	33
36	36-GC5051-02	146	36-GC6051-02	151	167	42-1/8	47-1/2	45	10	12-1/2	39
42	42-GC5051-02	152	42-GC6051-02	163	182	48-1/8	53-1/2	51	14-1/2	13	45
48	48-GC5051-02	165	48-GC6051-02	180	201	54-1/8	59-1/2	57	14-1/2	13	51

- ① Use washers on 1/2-inch bolts.
- ② Available with 1-1/2- or 11-3/4-inch drop.
- ③ 1/4" to 0.72" belt width.

Flat Training Idler

Actuating Shoe Type — Belt Travel Either Direction



Dimensions (in) — Average Weight (lb)

Belt Width	5" Roll		6" Roll		A	B	C	E	L	Y			
	Product Number	F	Idler Weight and Thickness 0.149"	Product Number							F	Idler Weight and Thickness	
												0.165"	0.250"
18	18-GC5030-02	8	83	18-GC6030-02	9-1/8	98	107	24-1/8	28-3/4	27	10	21	3-1/8
20	20-GC5030-02	8	95	20-GC6030-02	9-1/8	110	120	26-1/8	30-3/4	29	10	23	3-1/8
24	24-GC5030-02	8	107	24-GC6030-02	9-1/8	122	134	30-1/8	34-3/4	33	10	27	3-1/8
30	30-GC5030-02	8	120	30-GC6030-02	9-1/8	134	148	36-1/8	40-3/4	39	10	33	3-1/8
36	36-GC5030-02	8	141	36-GC6030-02	9-1/8	146	162	42-1/8	46-3/4	45	10	39	3-3/16
42	42-GC5030-02	8	147	42-GC6030-02	9-1/8	158	177	48-1/8	52-3/4	51	14-1/2	45	3-11/16
48	48-GC5030-02	8	160	48-GC6030-02	9-1/8	175	196	54-1/8	58-3/4	57	14-1/2	51	3-11/16

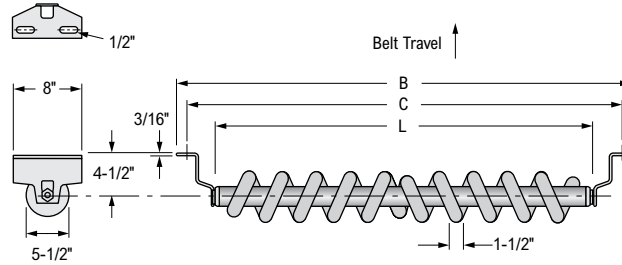
- ① Use washers on 1/2-inch bolts.

Series C Dimensions

Spiral Return Idler

Belt Travel One Direction Only

Rex Spiral Return Idlers minimize belt fleet and damage on the return belt which would otherwise result from material buildup. The correct direction of rotation is important and is clearly marked on each idler. The "V" formed by right-hand and left-hand spirals should point in the direction of rotation.



Dimensions (in) — Average Weight (lb)

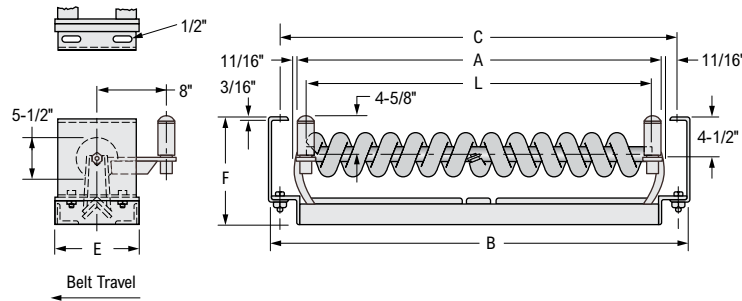
Belt Width	6" (F/S)		6" (R/G)		B	C	L	Idler Weight
	Product Number	Product Number	Product Number	Product Number				
18	18-GC6042-02	18-GC6042-01	18-GC6042-01	18-GC6042-01	29	27	21	20
20	20-GC6042-02	20-GC6042-01	20-GC6042-01	20-GC6042-01	31	29	23	23
24	24-GC6042-02	24-GC6042-01	24-GC6042-01	24-GC6042-01	35	33	27	25
30	30-GC6042-02	30-GC6042-01	30-GC6042-01	30-GC6042-01	41	39	33	29
36	36-GC6042-02	36-GC6042-01	36-GC6042-01	36-GC6042-01	47	45	39	34
42	42-GC6042-02	42-GC6042-01	42-GC6042-01	42-GC6042-01	53	51	45	40
48	48-GC6042-02	48-GC6042-01	48-GC6042-01	48-GC6042-01	59	57	51	45

① Use washers on 1/2-inch bolts.

② Available with 1-1/2-, 11-3/4- or 16-1/2-inch drop.

Spiral Return Training Idler

Positive Arm Type — Belt Travel One Direction Only



Dimensions (in) — Average Weight (lb)

Belt Width	6" (F/S)		6" (R/G)		A	B	C	E	F	L	Idler Weight
	Product Number	Product Number	Product Number	Product Number							
18	18-GC6057-02	18-GC6057-01	18-GC6057-01	18-GC6057-01	23-5/8	29-1/2	27	10	12-1/2	21	88
20	20-GC6057-02	20-GC6057-01	20-GC6057-01	20-GC6057-01	25-5/8	31-1/2	29	10	12-1/2	23	98
24	24-GC6057-02	24-GC6057-01	24-GC6057-01	24-GC6057-01	29-5/8	35-1/2	33	10	12-1/2	27	110
30	30-GC6057-02	30-GC6057-01	30-GC6057-01	30-GC6057-01	35-5/8	41-1/2	39	10	12-1/2	33	123
36	36-GC6057-02	36-GC6057-01	36-GC6057-01	36-GC6057-01	41-5/8	47-1/2	45	10	12-1/2	39	135
42	42-GC6057-02	42-GC6057-01	42-GC6057-01	42-GC6057-01	47-5/8	53-1/2	51	14-1/2	13	45	143
48	48-GC6057-02	48-GC6057-01	48-GC6057-01	48-GC6057-01	53-5/8	59-1/2	57	14-1/2	13	51	159

① Use washers on 1/2-inch bolts.

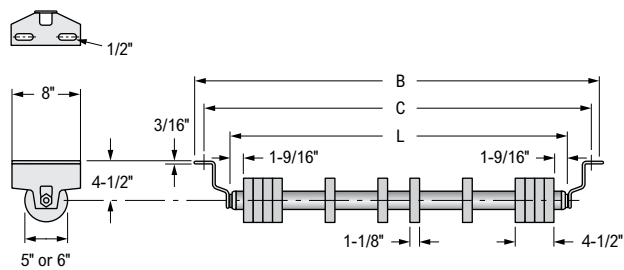
② Available with 1-1/2- or 11-3/4-inch drop.

③ 1/4" to 0.72" belt width.

Series C Dimensions

Disc Return Idler

Rex Disc Return Idlers minimize belt misalignment which can cause damage to the belt, resulting from material buildup on the return idler rolls. Available in rubber discs.



Four discs on each end is standard.

Dimensions (in) — Average Weight (lb)

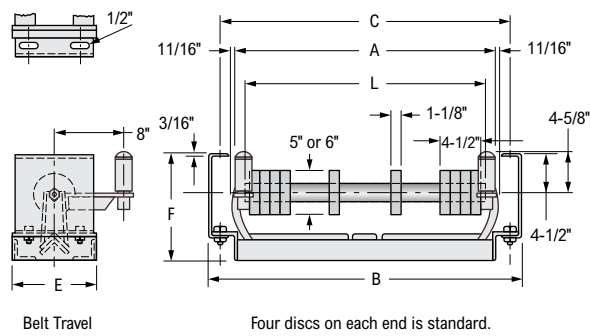
Belt Width	5" Roll		6" Roll		B	C	L	No. of Discs
	Product Number	Idler Weight	Product Number	Idler Weight				
18	18-GC5043-02	20	18-GC6043-02	26	29	27	21	9
20	20-GC5043-02	22	20-GC6043-02	28	31	29	23	9
24	24-GC5043-02	24	24-GC6043-02	30	35	33	27	10
30	30-GC5043-02	27	30-GC6043-02	34	41	39	33	11
36	36-GC5043-02	31	36-GC6043-02	37	47	45	39	12
42	42-GC5043-02	35	42-GC6043-02	42	53	51	45	13
48	48-GC5043-02	41	48-GC6043-02	48	59	57	51	14

① Use washers on 1/2-inch bolts.

② Available with 1-1/2-, 11-3/4- or 16-1/2-inch drop.

Disc Return Training Idler

Positive Arm Type — Belt Travel One Direction Only



Four discs on each end is standard.

Dimensions (in) — Average Weight (lb)

Belt Width	5" Roll		6" Roll		A	B	C	E	F	L	No. of Discs
	Product Number	Idler Weight	Product Number	Idler Weight							
18	18-GC5056-02	94	18-GC6056-02	97	23-5/8	29-1/2	27	10	12-1/2	21	9
20	20-GC5056-02	106	20-GC6056-02	109	25-5/8	31-1/2	29	10	12-1/2	23	9
24	24-GC5056-02	118	24-GC6056-02	121	29-5/8	35-1/2	33	10	12-1/2	27	10
30	30-GC5056-02	131	30-GC6056-02	134	35-5/8	41-1/2	39	10	12-1/2	33	11
36	36-GC5056-02	143	36-GC6056-02	146	41-5/8	47-1/2	45	10	12-1/2	39	12
42	42-GC5056-02	156	42-GC6056-02	159	47-5/8	53-1/2	51	14-1/2	13	45	13
48	48-GC5056-02	167	48-GC6056-02	171	53-5/8	59-1/2	57	14-1/2	13	51	14

① Use washers on 1/2-inch bolts.

② Available with 1-1/2- or 11-3/4-inch drop.

③ 1/4" to 0.72" belt width.

Series D Rex Classic Idlers

Series D — CEMA D Regreasable or Factory-Sealed Bearings

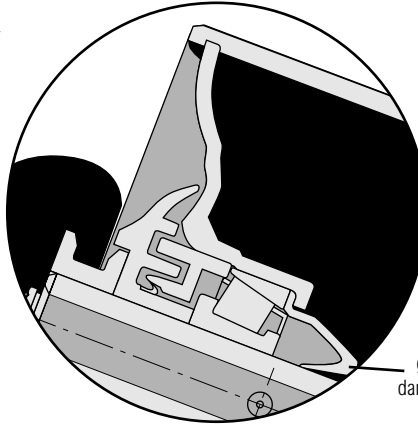
20°, 35° and 45° Trough — 5" and 6" Roll Diameter

4" Roll Diameter also available — Made-to-Order

The complete line of Rex CEMA Series D Idlers, with off-the-shelf availability ...

Reduced Regreasing Time

Easy, convenient, patented one-point greasing — from either side — provides positive through-lubrication of all six bearings ... saves time, cuts maintenance costs.



Controlled Greasing Extends Bearing Life

Rear grease seal keeps grease in bearing cavity only, yet allows excess grease to purge, preventing bearing damage through over-greasing.

Less Chance of Belt Damage

Rex designed "Mini-Gap" provides smallest possible space between rollers for maximum no-pinch belt protection ... better belt support and longer belt life.

Simple Belt Training Adjustment

of idlers is made fast and easy using slotted mounting holes. Precision jig-welded frame assures positive, accurate alignment.

Grease transfer tubes are totally encapsulated in steel.

Interchangeability

... built to fit existing conveyor frame without cutting or fitting. Conforms to CEMA standards.

Regreasable Idlers

Better Protection Against Abrasives and Moisture

Rex offers a special combination labyrinth with wiping seal and protective outer shield for your operating environment. This seal has five hard-to-get-through passages filled with grease to block contaminants from the roller bearings. The outer and inner seals are close tolerance injection-molded nonmetallic. The labyrinth/shield seal is particularly excellent for long, overland horizontal conveyors, because of its low friction torque or for applications where water is present or when frequent washdowns are required.

Series D Rex Classic Idlers

Series D — CEMA D Regreasable or Factory-Sealed Bearings

20°, 35° and 45° Trough — 5" and 6" Roll Diameter

4" Roll Diameter also available — Made-to-Order

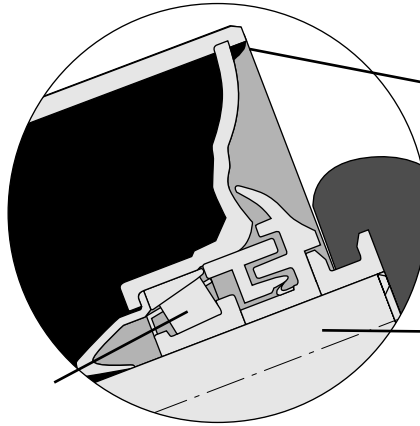
Offer low initial and maintenance costs, extra dependability for moderate to heavy-duty applications.

Less Vibration

Uniform thick shells are welded to precision-drawn end discs to form a rugged, integral roll assembly. Ends are simultaneously counter-bored to provide true concentricity, accurate rotation for smooth operation.

Longer Idler Life — Series D

Rugged 3/4" tapered roller bearings and 1" diameter shafts provide ample load-carrying capacity.



Protected Weld

Weld bead is located under roll shell to protect it from belt contact and premature wear.

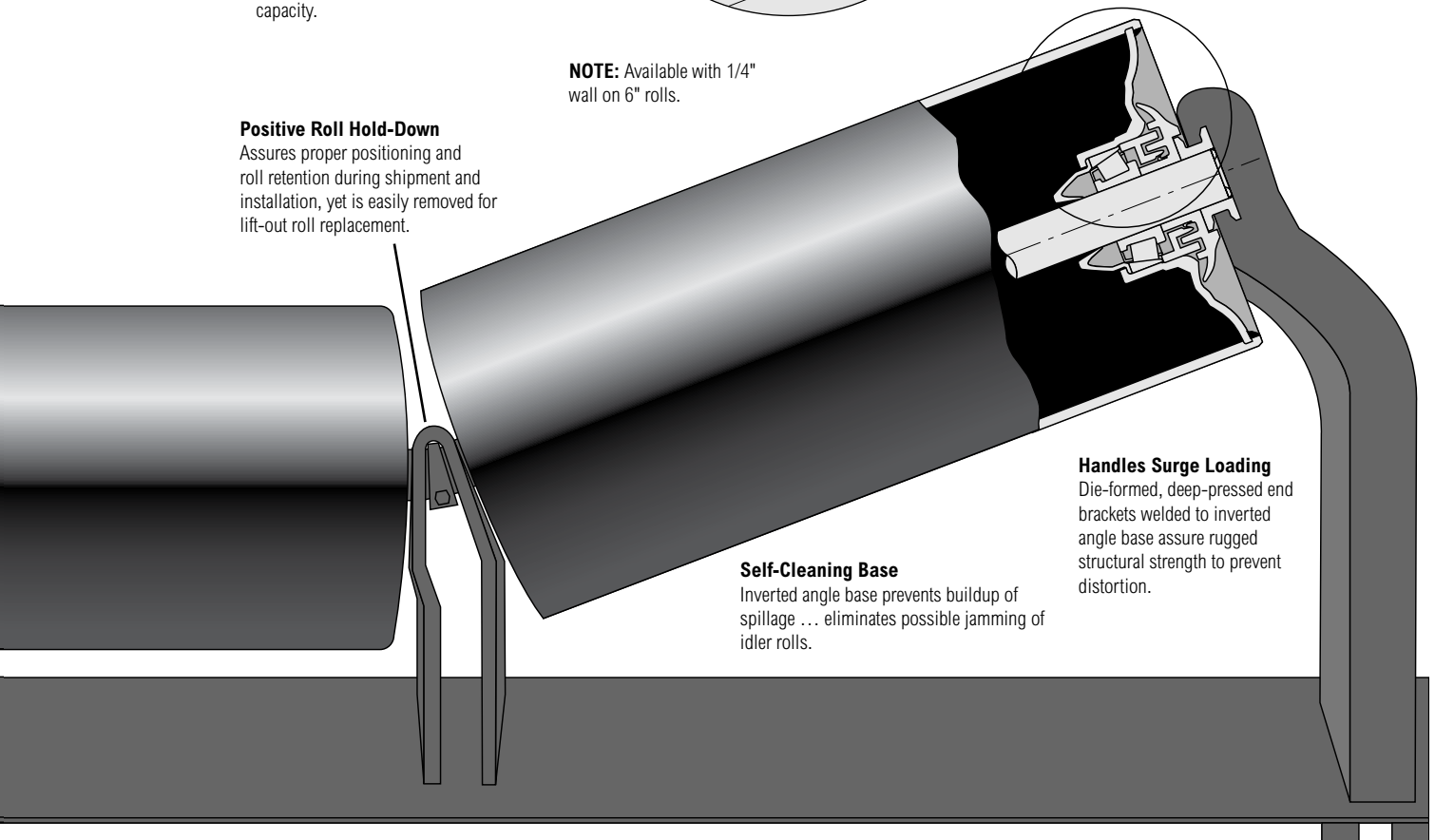
Factory-Sealed Idlers

eliminate the need for relubrication ... solid shafts for more load carrying capacity.

NOTE: Available with 1/4" wall on 6" rolls.

Positive Roll Hold-Down

Assures proper positioning and roll retention during shipment and installation, yet is easily removed for lift-out roll replacement.



Self-Cleaning Base

Inverted angle base prevents buildup of spillage ... eliminates possible jamming of idler rolls.

Handles Surge Loading

Die-formed, deep-pressed end brackets welded to inverted angle base assure rugged structural strength to prevent distortion.

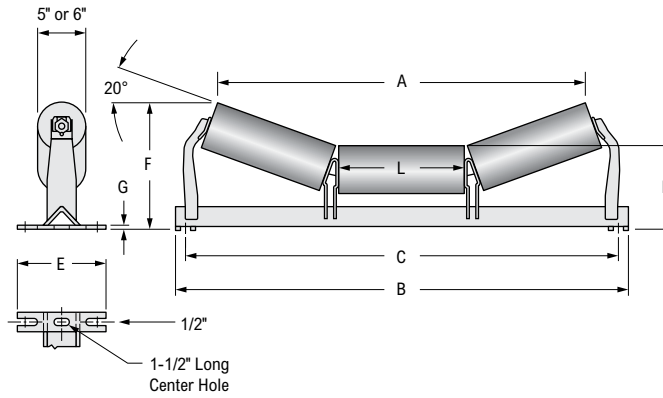
Factory-Sealed Idlers

Better Protection Against Abrasives

Rex offers a special combination labyrinth with wiping seal and protective outer shield for your operating environment. This seal has five hard-to-get-through passages filled with grease to block contaminants from the roller bearings. The outer and inner seals are close tolerance injection-molded nonmetallic. This product will provide excellent service in most environments and where minimum maintenance can be provided. Solid shafts are standard.

Series D Dimensions

20° Troughing Idler — Equal Length Rolls

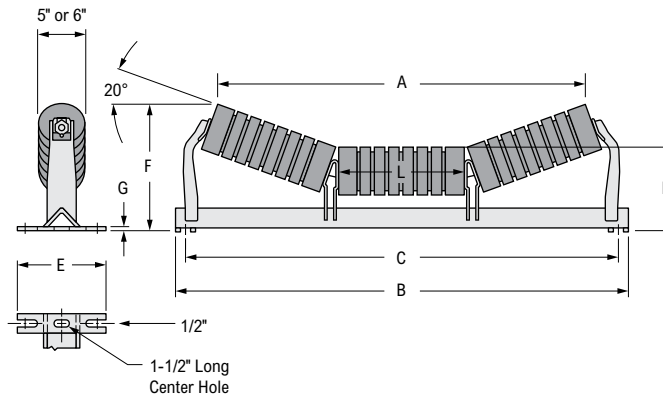


Dimensions (in) — Average Weight (lb)

Belt Width	5" Roll					6" Roll					B	C	E	G	L
	Product Number	A	F	H	Idler Weight	Product Number	A	F	H	Idler Weight					
18	18-GD5200-02	20-13/16	11	8-9/16	41	18-GD6200-02	20-1/2	11-1/2	9-1/16	48	29	27	9-1/4	5/16	7
20	20-GD5200-02	22-13/16	11	8-9/16	45	20-GD6200-02	22-1/2	11-1/2	9-1/16	53	31	29	9-1/4	5/16	9
24	24-GD5200-02	26-1/2	11-11/16	8-9/16	49	24-GD6200-02	26-3/16	12-3/16	9-1/16	58	35	33	9-1/4	5/16	9
30	30-GD5200-02	32-5/16	12-3/8	8-9/16	57	30-GD6200-02	31-15/16	12-7/8	9-1/16	64	41	39	9-1/4	5/16	11
36	36-GD5200-02	38-1/16	13-1/8	8-1/16	65	36-GD6200-02	37-11/16	13-5/8	9-3/16	73	47	45	9-1/4	5/16	13
42	42-GD5200-02	43-13/16	14-1/8	9	72	42-GD6200-02	43-7/16	14-9/16	9-1/2	82	53	51	9-1/4	5/16	15
48	48-GD5200-02	49-9/16	14-13/16	9	83	48-GD6200-02	49-3/16	15-1/4	9-1/2	92	59	57	9-1/4	5/16	17
54	54-GD5200-02	55-5/16	15-7/8	9-1/4	94	54-GD6200-02	55	16-5/16	9-3/4	105	65-1/2	63	11-1/2	3/8	19
60	60-GD5200-02	61-1/16	16-9/16	9-1/4	104	60-GD6200-02	60-1/4	17	9-3/4	116	71-1/2	69	11-1/2	3/8	21
72	72-GD5200-02	72-5/8	18-5/16	9-11/16	127	72-GD6200-02	72-5/8	18-3/4	10-3/16	141	83-1/2	81	11-1/2	3/8	25

① Use washers on 1/2-inch bolts.

20° Troughing Impact Idler — Equal Length Rolls



Dimensions (in) — Average Weight (lb)

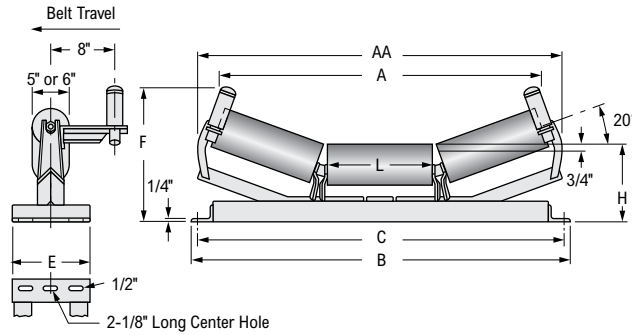
Belt Width	5" Roll					6" Roll					B	C	E	G	L
	Product Number	A	F	H	Idler Weight	Product Number	A	F	H	Idler Weight					
18	18-GD5202-02	20-13/16	11	8-9/16	43	18-GD6202-02	20-1/2	11-1/2	9-1/16	50	29	27	9-1/4	5/16	7
20	20-GD5202-02	22-13/16	11	8-9/16	46	20-GD6202-02	22-1/2	11-1/2	9-1/16	54	31	29	9-1/4	5/16	9
24	24-GD5202-02	26-1/2	11-11/16	8-9/16	50	24-GD6202-02	26-3/16	12-3/16	9-1/16	60	35	33	9-1/4	5/16	9
30	30-GD5202-02	32-5/16	12-3/8	8-9/16	60	30-GD6202-02	31-15/16	12-7/8	9-1/16	68	41	39	9-1/4	5/16	11
36	36-GD5202-02	38-1/16	13-1/8	8-11/16	69	36-GD6202-02	37-11/16	13-5/8	9-3/16	76	47	45	9-1/4	5/16	13
42	42-GD5202-02	43-13/16	14-1/8	9	76	42-GD6202-02	43-7/16	14-9/16	9-1/2	85	53	51	9-1/4	5/16	15
48	48-GD5202-02	49-9/16	14-13/16	9	86	48-GD6202-02	49-5/16	15-1/4	9-1/2	97	59	57	9-1/4	5/16	17
54	54-GD5202-02	55-5/16	15-7/8	9-1/4	98	54-GD6202-02	55	16-5/16	9-3/4	109	65-1/2	63	11-1/2	3/8	19
60	60-GD5202-02	61-1/16	16-9/16	9-1/4	109	60-GD6202-02	60-1/4	17	9-3/4	121	71-1/2	69	11-1/2	3/8	21
72	72-GD5202-02	72-5/8	18-5/16	9-11/16	133	72-GD6202-02	72-5/16	18-3/4	10-3/16	145	83-1/2	81	11-1/2	3/8	25

① Use washers on 1/2-inch bolts.

Series D Dimensions

20° Troughing Idler — Equal Length Rolls

Positive Arm Type — Belt Travel One Direction Only



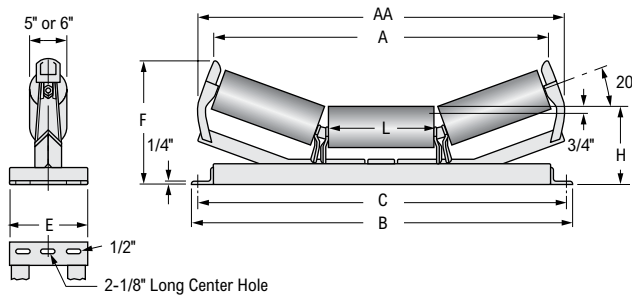
Dimensions (in) — Average Weight (lb)

Belt Width	5" Roll			6" Roll			A	AA	B	C	E	F	L
	Product Number	H	Idler Weight	Product Number	H	Idler Weight							
18	18-GD5212-02	9-1/4	102	18-GD6212-02	9-3/4	114	23-3/16	28-9/16	29	27	10	14-3/16	7
20	20-GD5212-02	9-1/4	107	20-GD6212-02	9-3/4	119	25-3/16	30-9/16	31	29	10	14-3/16	9
24	24-GD5212-02	9-1/4	118	24-GD6212-02	9-3/4	130	28-15/16	34-5/16	35	33	10	14-7/16	9
30	30-GD5212-02	9-1/4	132	30-GD6212-02	9-3/4	145	34-1/16	40-1/16	41	39	10	15-9/16	11
36	36-GD5212-02	9-5/16	146	36-GD6212-02	9-13/16	159	40-1/2	45-7/16	47	45	10	16-5/16	13
42	42-GD5212-02	9-13/16	163	42-GD6212-02	10-5/16	175	46-1/16	51-13/16	53	51	14-1/2	17-1/2	15
48	48-GD5212-02	9-13/16	178	48-GD6212-02	10-5/16	191	52	57-9/16	59	57	14-1/2	18-3/16	17
54	54-GD5212-02	10-3/16	192	54-GD6212-02	10-11/16	206	57-1/4	63-9/16	65	63	14-1/2	19-1/4	19
60	60-GD5212-02	10-3/16	208	60-GD6212-02	10-11/16	221	63-1/2	69-5/16	71	69	14-1/2	19-15/16	21
72	72-GD5212-02	10-3/16	236	72-GD6212-02	10-11/16	253	75	80-1/4	83	81	16-1/2	21-5/16	25

- ① Use washers on 1/2-inch bolts.
- ② Approximate distance to the top of the center roll of other idlers.
- ③ 0.31" to 0.72" belt width.

20° Troughing Impact Idler — Equal Length Rolls

Actuating Shoe Type — Belt Travel Either Direction



Dimensions (in) — Average Weight (lb)

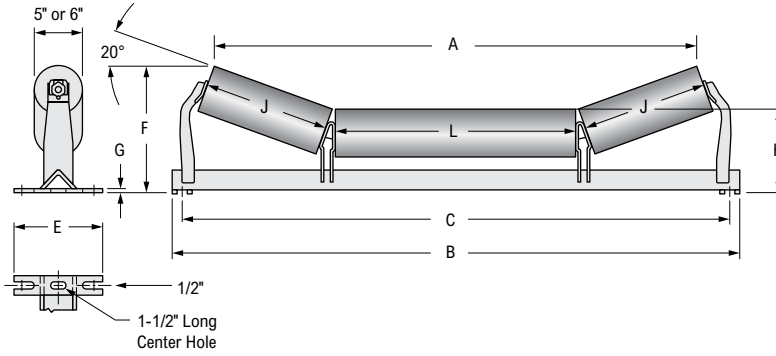
Belt Width	5" Roll					6" Roll					AA	B	C	E	L
	Product Number	A	F	H	Idler Weight	Product Number	A	F	H	Idler Weight					
18	18-GD5210-02	23-3/4	13-3/16	9-1/4	100	18-GD6210-02	23-1/8	14-1/4	9-3/4	112	28-9/16	29	27	10	7
20	20-GD5210-02	25-3/4	13-3/16	9-1/4	105	20-GD6210-02	25-1/8	14-1/4	9-3/4	117	30-9/16	31	29	10	9
24	24-GD5210-02	29-1/2	13-7/8	9-1/4	116	24-GD6210-02	28-7/8	14-15/16	9-3/4	128	34-5/16	35	33	10	9
30	30-GD5210-02	35-1/4	14-9/16	9-1/4	130	30-GD6210-02	34-11/16	15-1/8	9-3/4	143	40-1/16	41	39	10	11
36	36-GD5210-02	41	15-1/4	9-5/16	144	36-GD6210-02	41-7/16	16-3/8	9-13/16	156	45-7/8	47	45	10	13
42	42-GD5210-02	46-3/4	16-1/2	9-13/16	160	42-GD6210-02	46-3/16	17-9/16	10-5/16	172	51-13/16	53	51	14-1/2	15
48	48-GD5210-02	52-1/4	17-3/16	9-13/16	175	48-GD6210-02	51-15/16	17-3/4	10-5/16	188	57-9/16	59	57	14-1/2	17
54	54-GD5210-02	58-1/4	18-3/16	10-3/16	190	54-GD6210-02	57-11/16	19-5/16	10-11/16	203	63-9/16	65	63	14-1/2	19
60	60-GD5210-02	64	18-7/8	10-3/16	206	60-GD6210-02	63-7/16	20	10-11/16	218	69-5/16	71	69	14-1/2	21
72	72-GD5210-02	75-5/16	20-1/4	10-3/16	234	72-GD6210-02	75	21-5/16	10-11/16	250	80-1/4	83	81	16-1/2	25

- ① Use washers on 1/2-inch bolts.
- ② Approximate distance to the top of the center roll of other idlers.
- ③ 0.31" to 0.72" belt width.

Series D Dimensions

20° Troughing Idler — Unequal Length Rolls

Made-to-Order Only



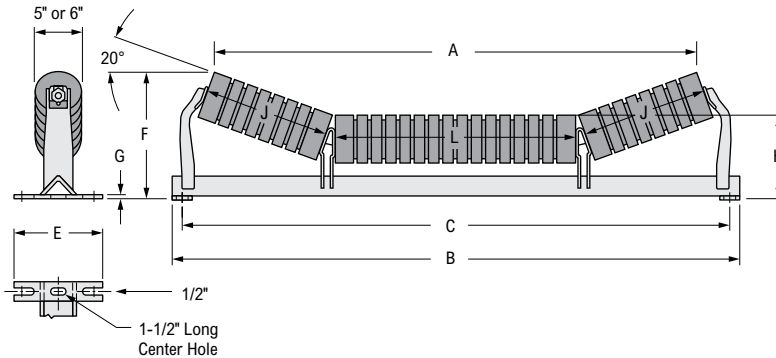
Dimensions (in) — Average Weight (lb)

Belt Width	5" Roll					6" Roll					B	C	E	G	J	L
	Product Number	A	F	H	Idler Weight	Product Number	A	F	H	Idler Weight						
24	24-GD5201-02	28-15/16	11	8-9/16	49	24-GD6201-02	28-1/2	11-1/2	9-1/16	58	35-1/2	33	9-1/4	5/16	7	15
30	30-GD5201-02	34-15/16	11	8-9/16	57	30-GD6201-02	34-1/2	11-1/2	9-1/16	64	41-1/2	39	9-1/4	5/16	7	21
36	36-GD5201-02	40-15/16	11-1/16	8-11/16	65	36-GD6201-02	40-1/2	11-9/16	9-3/16	73	47-1/2	45	9-1/4	5/16	7	27
42	42-GD5201-02	46-15/16	11-3/8	9	72	42-GD6201-02	46-1/2	11-7/8	9-1/2	82	53-1/2	51	9-1/4	5/16	7	33
48	48-GD5201-02	52-15/16	11-3/8	9	83	48-GD6201-02	52-1/2	11-7/8	9-1/2	92	59-1/2	57	9-1/4	5/16	7	39
54	54-GD5201-02	58-15/16	11-3/4	9-1/4	94	54-GD6201-02	58-1/2	12-1/8	9-3/4	105	65-1/2	63	11-1/2	3/8	7	45
60	60-GD5201-02	64-15/16	11-3/4	9-1/4	104	60-GD6201-02	64-1/2	12-1/8	9-3/4	116	71-1/2	69	11-1/2	3/8	7	51
72	72-GD5201-02	76-15/16	11-3/4	9-1/4	123	72-GD6201-02	76-1/2	12-1/8	9-3/4	138	83-1/2	81	11-1/2	3/8	9	57

① Use washers on 1/2-inch bolts.

20° Troughing Impact Idler — Unequal Length Rolls

Made-to-Order Only



Dimensions (in) — Average Weight (lb)

Belt Width	5" Roll					6" Roll					B	C	E	G	J	L
	Product Number	A	F	H	Idler Weight	Product Number	A	F	H	Idler Weight						
24	24-GD5203-02	28-15/16	11	8-9/16	50	24-GD6203-02	28-1/2	11-1/2	9-1/16	60	35-1/2	33	9-1/4	5/16	7	15
30	30-GD5203-02	34-15/16	11	8-9/16	60	30-GD6203-02	34-1/2	11-1/2	9-1/16	68	41-1/2	39	9-1/4	5/16	7	21
36	36-GD5203-02	40-15/16	11-1/16	8-11/16	69	36-GD6203-02	40-1/2	11-9/16	9-3/16	76	47-1/2	45	9-1/4	5/16	7	27
42	42-GD5203-02	46-15/16	11-3/8	9	76	42-GD6203-02	46-1/2	11-7/8	9-1/2	85	53-1/2	51	9-1/4	5/16	7	33
48	48-GD5203-02	52-15/16	11-3/8	9	86	48-GD6203-02	52-1/2	11-7/8	9-1/2	97	59-1/2	57	9-1/4	5/16	7	39
54	54-GD5203-02	58-15/16	11-3/4	9-1/4	98	54-GD6203-02	58-1/2	12-1/8	9-3/4	109	65-1/2	63	11-1/2	3/8	7	45
60	60-GD5203-02	64-15/16	11-3/4	9-1/4	109	60-GD6203-02	64-1/2	12-1/8	9-3/4	121	71-1/2	69	11-1/2	3/8	7	51
72	72-GD5203-02	76-15/16	11-3/4	9-1/4	130	72-GD6203-02	76-1/2	12-1/8	9-3/4	142	83-1/2	81	11-1/2	3/8	9	57

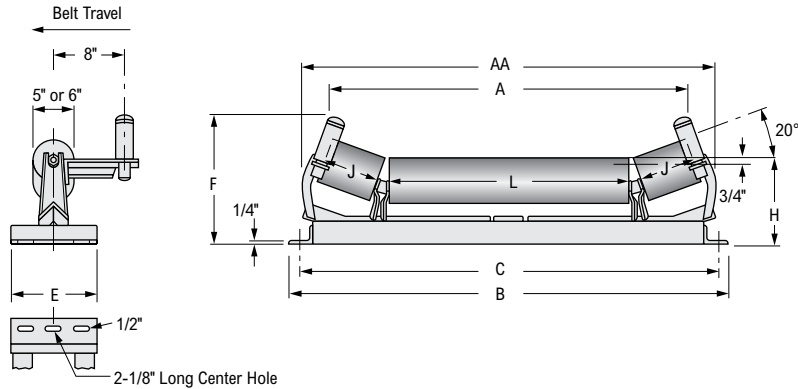
① Use washers on 1/2-inch bolts.

Series D Dimensions

20° Troughing Idler — Unequal Length Rolls

Made-to-Order Only

Positive Arm Type — Belt Travel One Direction Only



Dimensions (in) — Average Weight (lb)

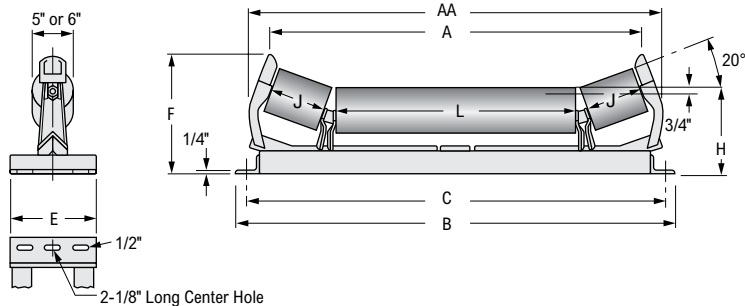
Belt Width	5" Roll			6" Roll			A	AA	B	C	E	F	J	L
	Product Number	H	Idler Weight	Product Number	H	Idler Weight								
24	24-GD5213-02	9-1/4	118	24-GD6213-02	9-3/4	132	29-3/16	34-9/16	35	33	10	14-3/16	7	15
30	30-GD5213-02	9-1/4	132	30-GD6213-02	9-3/4	145	35-3/16	40-9/16	41	39	10	14-3/16	7	21
36	36-GD5213-02	9-5/16	146	36-GD6213-02	9-13/16	159	41-3/16	46-9/16	47	45	10	14-1/4	7	27
42	42-GD5213-02	9-13/16	163	42-GD6213-02	10-5/16	175	47-3/16	52-9/16	53	51	14-1/2	14-3/4	7	33
48	48-GD5213-02	9-13/16	178	48-GD6213-02	10-5/16	192	53-3/16	58-9/16	59	57	14-1/2	14-3/4	7	39
54	54-GD5213-02	10-3/16	192	54-GD6213-02	10-11/16	206	59-3/16	64-9/16	65	63	14-1/2	15-1/8	7	45
60	60-GD5213-02	10-3/16	208	60-GD6213-02	10-11/16	221	65-3/16	70-9/16	71	69	14-1/2	15-1/8	7	51
72	72-GD5213-02	10-9/16	227	72-GD6213-02	11-1/16	239	76-13/16	82-3/8	84	81	16-1/2	16-3/8	7	57

- ① Use washers on 1/2-inch bolts.
- ② Approximate distance to the top of the center roll of other idlers.
- ③ 0.31" to 0.72" belt width.

20° Troughing Training Idler — Unequal Length Rolls

Made-to-Order Only

Actuating Shoe Type — Belt Travel Either Direction



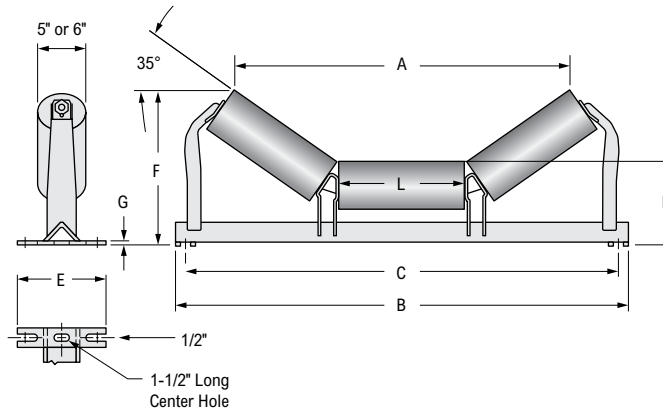
Dimensions (in) — Average Weight (lb)

Belt Width	5" Roll					6" Roll					AA	B	C	E	J	L
	Product Number	A	F	H	Idler Weight	Product Number	A	F	H	Idler Weight						
24	24-GD5211-02	29-3/4	13-3/16	9-1/4	116	24-GD6211-02	29-1/8	14-1/4	9-3/4	128	34-9/16	35	33	10	7	15
30	30-GD5211-02	35-3/4	13-3/16	9-1/4	130	30-GD6211-02	35-1/8	14-1/4	9-3/4	143	40-9/16	41	39	10	7	21
36	36-GD5211-02	41-3/4	13-1/4	9-5/16	144	36-GD6211-02	41-1/8	14-5/16	9-13/16	156	46-9/16	47	45	10	7	27
42	42-GD5211-02	47-3/4	13-3/4	9-13/16	160	42-GD6211-02	47-1/8	14-13/16	10-5/16	172	52-9/16	53	51	14-1/2	7	33
48	48-GD5211-02	53-3/4	13-3/4	9-13/16	175	48-GD6211-02	53-1/8	14-13/16	10-5/16	190	58-9/16	59	57	14-1/2	7	39
54	54-GD5211-02	59-3/4	14-1/8	10-3/16	190	54-GD6211-02	59-1/8	15-3/16	10-11/16	203	64-9/16	65	63	14-1/2	7	45
60	60-GD5211-02	65-3/4	14-1/8	10-3/16	206	60-GD6211-02	65-1/8	15-3/16	10-11/16	218	70-9/16	71	69	14-1/2	7	51
72	72-GD5211-02	78-3/4	14-1/8	10-9/16	225	72-GD6211-02	78-1/8	15-3/16	11-1/16	237	81-9/16	84	81	16-1/2	9	57

- ① Use washers on 1/2-inch bolts.
- ② Approximate distance to the top of the center roll of other idlers.
- ③ 0.31" to 0.72" belt width.

Series D Dimensions

35° Troughing Idler — Equal Length Rolls

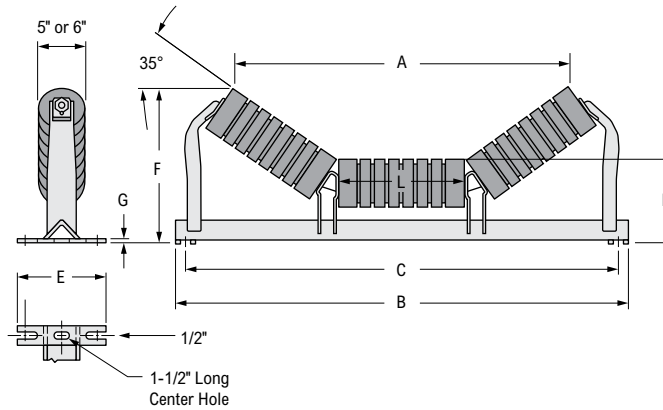


Dimensions (in) — Average Weight (lb)

Belt Width	5" Roll					6" Roll					B	C	E	G	L
	Product Number	A	F	H	Idler Weight	Product Number	A	F	H	Idler Weight					
18	18-GD5300-02	18-15/16	12-11/16	8-9/16	42	18-GD6300-02	18-3/8	13-1/16	9-1/16	49	29	27	9-1/4	5/16	7
20	20-GD5300-02	20-15/16	12-11/16	8-9/16	46	20-GD6300-02	20-3/8	13-1/16	9-1/16	54	31	29	9-1/4	5/16	9
24	24-GD5300-02	24-3/16	13-13/16	8-9/16	50	24-GD6300-02	23-3/8	14-3/16	9-1/16	59	35	33	9-1/4	5/16	9
30	30-GD5300-02	29-7/16	14-13/16	8-9/16	58	30-GD6300-02	28-7/8	15-5/16	9-1/16	69	41	39	9-1/4	5/16	11
36	36-GD5300-02	34-3/4	16-1/8	8-11/16	69	36-GD6300-02	34-3/16	16-9/16	9-3/16	78	47	45	9-1/4	5/16	13
42	42-GD5300-02	40	17-5/8	9	77	42-GD6300-02	39-7/16	18	9-1/2	88	53	51	9-1/4	5/16	15
48	48-GD5300-02	45-5/16	18-3/4	9	90	48-GD6300-02	44-3/4	19-3/16	9-1/2	101	59	57	9-1/4	5/16	17
54	54-GD5300-02	50-9/16	20-1/4	9-1/4	102	54-GD6300-02	50	20-11/16	9-3/4	115	65-1/2	63	11-1/2	3/8	19
60	60-GD5300-02	55-7/8	21-7/16	9-1/4	114	60-GD6300-02	55-1/4	21-13/16	9-3/4	130	71-1/2	69	11-1/2	3/8	21
72	72-GD5300-02	66-1/4	24	9-11/16	148	72-GD6300-02	65-7/8	24-1/2	10-3/16	157	83-1/2	81	11-1/2	3/8	25

① Use washers on 1/2-inch bolts.

35° Troughing Impact Idler — Equal Length Rolls



Dimensions (in) — Average Weight (lb)

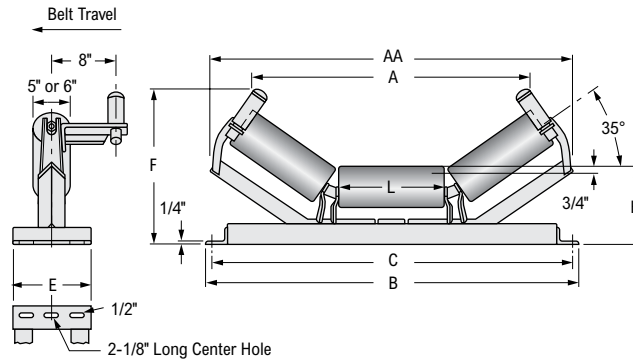
Belt Width	5" Roll					6" Roll					B	C	E	G	L
	Product Number	A	F	H	Idler Weight	Product Number	A	F	H	Idler Weight					
18	18-GD5302-02	18-15/16	12-11/16	8-9/16	44	18-GD6302-02	18-3/8	13-1/16	9-1/16	52	29	27	9-1/4	5/16	7
20	20-GD5302-02	20-15/16	12-11/16	8-9/16	48	20-GD6302-02	20-3/8	13-1/16	9-1/16	57	31	29	9-1/4	5/16	9
24	24-GD5302-02	24-3/16	13-13/16	8-9/16	52	24-GD6302-02	23-5/8	14-3/16	9-1/16	61	35	33	9-1/4	5/16	9
30	30-GD5302-02	29-7/16	14-15/16	8-9/16	61	30-GD6302-02	28-7/8	15-5/16	9-1/16	72	41	39	9-1/4	5/16	11
36	36-GD5302-02	34-3/4	16-1/8	8-11/16	73	36-GD6302-02	34-3/16	16-9/16	9-3/16	82	47	45	9-1/4	3/16	13
42	42-GD5302-02	40	17-5/8	9	81	42-GD6302-02	39-7/16	18	9-1/2	92	53	51	9-1/4	5/16	15
48	48-GD5302-02	45-5/16	18-3/4	9	94	48-GD6302-02	44-3/4	19-3/16	9-1/2	105	59	57	9-1/4	5/16	17
54	54-GD5302-02	50-9/16	20-1/4	9-1/4	105	54-GD6302-02	50	20-11/16	9-3/4	120	65-1/2	63	11-1/2	3/8	19
60	60-GD5302-02	55-7/8	21-7/16	9-1/4	119	60-GD6302-02	55-1/4	21-13/16	9-3/4	135	71-1/2	69	11-1/2	3/8	21
72	72-GD5302-02	66-1/4	24	9-11/16	145	72-GD6302-02	65-7/8	24-1/2	10-3/16	161	83-1/2	81	11-1/2	3/8	25

① Use washers on 1/2-inch bolts.

Series D Dimensions

35° Troughing Training Idler — Equal Length Rolls

Positive Arm Type — Belt Travel One Direction Only



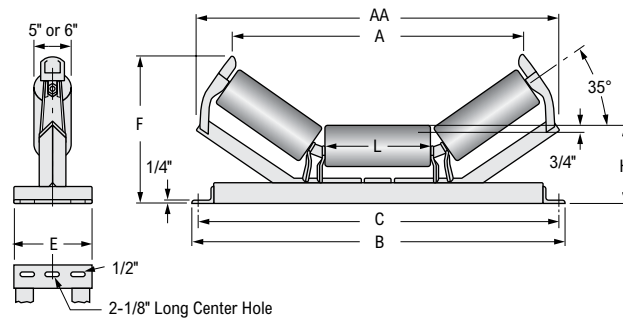
Dimensions (in) — Average Weight (lb)

Belt Width	5" Roll			6" Roll			A	AA	B	C	E	F	L
	Product Number	H	Idler Weight	Product Number	H	Idler Weight							
18	18-GD5312-02	9-1/4	104	18-GD6312-02	9-3/4	116	20	30-13/16	29	27	10	16-1/16	7
20	20-GD5312-02	9-1/4	109	20-GD6312-02	9-3/4	121	22	32-13/16	31	29	10	16-1/16	9
24	24-GD5312-02	9-1/4	120	24-GD6312-02	9-3/4	132	23-13/16	36-1/8	35	33	10	17	9
30	30-GD5312-02	9-1/4	135	30-GD6312-02	9-3/4	147	29-1/16	41-3/8	41	39	10	18-1/8	11
36	36-GD5312-02	9-5/16	149	36-GD6312-02	9-13/16	162	35-3/4	46-11/16	47	45	10	19-5/16	13
42	42-GD5312-02	9-13/16	166	42-GD6312-02	10-5/16	178	41-1/16	52-3/8	53	51	14-1/4	21-1/4	15
48	48-GD5312-02	9-13/16	181	48-GD6312-02	10-5/16	194	46-5/16	57-11/16	59	57	14-1/2	22-3/8	17
54	54-GD5312-02	10-3/16	196	54-GD6312-02	10-11/16	209	51-5/8	65-3/4	65	63	14-1/2	23-7/8	19
60	60-GD5312-02	10-3/16	212	60-GD6312-02	10-11/16	225	56-7/8	68-9/16	71	69	14-1/2	25	21
72	72-GD5312-02	10-3/16	231	72-GD6312-02	10-11/16	244	67-7/16	79-9/16	83	81	16-1/2	27-5/8	25

- ① Use washers on 1/2-inch bolts.
- ② Approximate distance to the top of the center roll of other idlers.
- ③ 0.31" to 0.72" belt width.

35° Troughing Training Idler — Equal Length Rolls

Actuating Shoe Type — Belt Travel Either Direction



Dimensions (in) — Average Weight (lb)

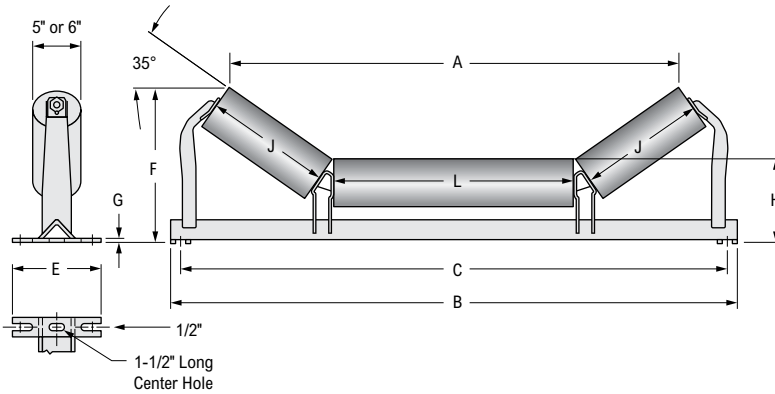
Belt Width	5" Roll					6" Roll					AA	B	C	E	L
	Product Number	A	F	H	Idler Weight	Product Number	A	F	H	Idler Weight					
18	18-GD5310-02	20-3/8	15-1/16	9-1/4	102	18-GD6310-02	19-1/16	16	9-3/4	114	30-13/16	29	27	10	7
20	20-GD5310-02	22-3/8	15-1/16	9-1/4	107	20-GD6310-02	21-1/16	16	9-3/4	119	32-13/16	31	29	10	9
24	24-GD5310-02	25-5/8	16-1/4	9-1/4	118	24-GD6310-02	24-5/16	17-1/8	9-3/4	130	36-1/8	35	33	10	9
30	30-GD5310-02	30-15/16	17-3/8	9-1/4	133	30-GD6310-02	29-5/8	18-1/4	9-3/4	145	41-3/8	41	39	10	11
36	36-GD5310-02	36-3/16	18-1/8	9-5/16	147	36-GD6310-02	34-7/8	19	9-13/16	160	46-11/16	47	45	10	13
42	42-GD5310-02	41-1/2	20-1/4	9-13/16	163	42-GD6310-02	40-3/16	21-1/8	10-5/16	176	52-3/8	53	51	14-1/2	15
48	48-GD5310-02	46-3/4	21-3/8	9-13/16	178	48-GD6310-02	45-7/16	22-5/16	10-5/16	191	57-11/16	59	57	14-1/2	17
54	54-GD5310-02	52	22-15/16	10-3/16	193	54-GD6310-02	50-3/4	23-13/16	10-11/16	206	65-3/4	65	63	14-1/2	19
60	60-GD5310-02	57-5/16	24-1/16	10-3/16	209	60-GD6310-02	56	24-15/16	10-11/16	222	68-9/16	71	69	14-1/2	21
72	72-GD5310-02	67-7/8	26-3/4	10-3/16	227	72-GD6310-02	67-3/4	27-1/4	10-11/16	240	79-5/8	83	81	16-3/4	25

- ① Use washers on 1/2-inch bolts.
- ② Approximate distance to the top of the center roll of other idlers.
- ③ 0.31" to 0.72" belt width.

Series D Dimensions

35° Troughing Idler — Unequal Length Rolls

Made-to-Order Only



Dimensions (in) — Average Weight (lb)

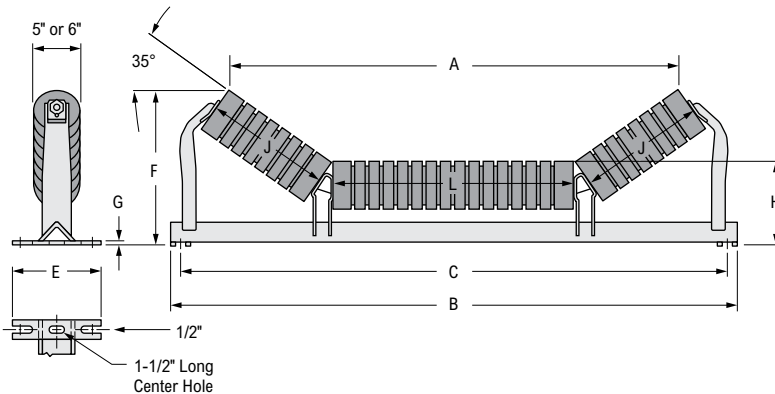
Belt Width	5" Roll					6" Roll					B	C	E	G	J	L
	Product Number	A	F	H	Idler Weight	Product Number	A	F	H	Idler Weight						
30	30-GD5301-02	30-3/16	13-13/16	8-9/16	58	30-GD6301-02	29-5/8	14-3/16	9-1/16	69	41	39	9-1/4	5/16	9	15
36	36-GD5301-02	36-3/16	13-7/8	8-11/16	69	36-GD6301-02	35-5/8	14-1/4	9-3/16	78	47	45	9-1/4	5/16	9	21
42	42-GD5301-02	42-3/8	14-3/16	9	77	42-GD6301-02	41-5/8	14-9/16	9-1/2	88	53	51	9-1/4	5/16	9	27
48	48-GD5301-02	48-3/16	14-3/16	9	90	48-GD6301-02	47-5/8	14-9/16	9-1/2	101	59	57	9-1/4	5/16	9	33
54	54-GD5301-02	54-3/16	14-9/16	9-1/4	102	54-GD6301-02	53-5/8	14-15/16	9-3/4	115	65-1/2	63	11-1/2	3/8	9	39
60	60-GD5301-02	60-3/16	14-9/16	9-1/4	114	60-GD6301-02	59-5/8	14-15/16	9-3/4	130	71-1/2	69	11-1/2	3/8	9	45
72	72-GD5301-02	72-3/16	14-7/8	9-11/16	129	72-GD6301-02	71-5/8	15-1/4	10-3/16	157	83-1/2	81	11-1/2	3/8	9	57

① Use washers on 1/2-inch bolts.

NOTE: Contact Rexnord for load rating.

35° Troughing Impact Idler — Unequal Length Rolls

Made-to-Order Only



Dimensions (in) — Average Weight (lb)

Belt Width	5" Roll					6" Roll					B	C	E	G	J	L
	Product Number	A	F	H	Idler Weight	Product Number	A	F	H	Idler Weight						
30	30-GD5303-02	30-3/16	13-13/16	8-9/16	59	30-GD6303-02	29-5/8	14-3/16	9-1/16	70	41	39	9-1/4	5/16	9	15
36	36-GD5303-02	36-3/16	13-7/8	8-11/16	70	36-GD6303-02	35-5/8	14-1/4	9-3/16	79	47	45	9-1/4	5/16	9	21
42	42-GD5303-02	42-3/8	14-3/16	9	79	42-GD6303-02	41-5/8	14-9/16	9-1/2	90	53	51	9-1/4	5/16	9	27
48	48-GD5303-02	48-3/16	14-3/16	9	92	48-GD6303-02	47-5/8	14-9/16	9-1/2	103	59	57	9-1/4	5/16	9	33
54	54-GD5303-02	54-3/16	14-9/16	9-1/4	105	54-GD6303-02	53-5/8	14-15/16	9-3/4	118	65-1/2	63	11-1/2	3/8	9	39
60	60-GD5303-02	60-3/16	14-9/16	9-1/4	117	60-GD6303-02	59-5/8	14-15/16	9-3/4	133	71-1/2	69	11-1/2	3/8	9	45
72	72-GD5303-02	72-3/16	14-7/8	9-11/16	132	72-GD6303-02	71-5/8	15-1/4	10-3/16	147	83-1/2	81	11-1/2	3/8	9	57

① Use washers on 1/2-inch bolts.

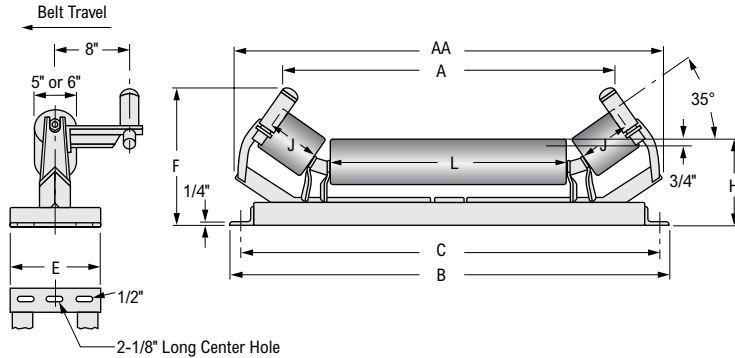
NOTE: Contact Rexnord for load rating.

Series D Dimensions

35° Troughing Training Idler — Unequal Length Rolls

Positive Arm Type — Belt Travel One Direction Only

Made-to-Order Only



Dimensions (in) — Average Weight (lb)

Belt Width	5" Roll			6" Roll			A	AA	B	C	E	F	J	L
	Product Number	H	Idler Weight	Product Number	H	Idler Weight								
30	30-GD5313-02	9-1/4	135	30-GD6313-02	9-3/4	147	31-1/4	42-1/8	41	39	10	17-5/16	9	15
36	36-GD5313-02	9-5/16	149	36-GD6313-02	9-13/16	162	37-1/4	48-1/8	47	45	10	17-3/8	9	21
42	42-GD5313-02	9-13/16	166	42-GD6313-02	10-5/16	178	43-1/4	54-9/16	53	51	14-1/2	17-7/8	9	27
48	48-GD5313-02	9-13/16	181	48-GD6313-02	10-5/16	194	49-1/4	60-9/16	59	57	14-1/2	17-7/8	9	33
54	54-GD5313-02	10-3/16	196	54-GD6313-02	10-11/16	209	55-1/4	66-7/8	65	63	14-1/2	18-1/4	9	39
60	60-GD5313-02	10-3/16	212	60-GD6313-02	10-11/16	225	61-1/4	72-7/8	71	69	14-1/2	18-1/4	9	45
72	72-GD5313-02	10-3/16	231	72-GD6313-02	10-11/16	243	72-1/4	85-1/4	83	81	16-1/2	18-1/4	9	57

① Use washers on 1/2-inch bolts.

② Approximate distance to the top of the center roll of other idlers.

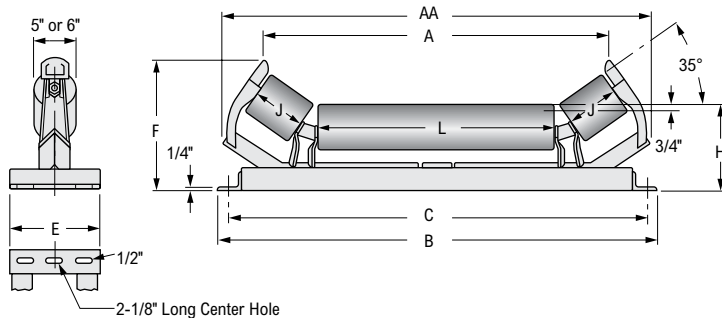
③ 0.31" to 0.72" belt width.

NOTE: Contact Rexnord for load rating.

35° Troughing Training Idler — Unequal Length Rolls

Actuating Shoe Type — Belt Travel Either Direction

Made-to-Order Only



Dimensions (in) — Average Weight (lb)

Belt Width	5" Roll					6" Roll					AA	B	C	E	J	L
	Product Number	A	F	H	Idler Weight	Product Number	A	F	H	Idler Weight						
30	30-GD5311-02	31-5/8	16-5/16	9-1/4	132	30-GD6311-02	30-5/16	17-1/8	9-3/4	145	42-1/8	41	39	10	9	15
36	36-GD5311-02	37-5/8	16-3/8	9-5/16	147	36-GD6311-02	36-5/16	17-3/16	9-3/16	160	48-1/8	47	45	10	9	21
42	42-GD5311-02	43-5/8	16-7/8	9-13/16	163	42-GD6311-02	46-5/16	17-11/16	10-5/16	176	54-1/8	53	51	14-1/2	9	27
48	48-GD5311-02	49-5/8	16-7/8	9-13/16	178	48-GD6311-02	48-5/16	17-11/16	10-5/16	191	60-9/16	59	57	14-1/2	9	33
54	54-GD5311-02	55-5/8	17-1/4	10-3/16	193	54-GD6311-02	54-5/16	18-1/16	10-11/16	206	66-7/8	65	63	14-1/2	9	39
60	60-GD5311-02	61-5/8	17-1/4	10-3/16	209	60-GD6311-02	60-5/16	18-1/16	10-11/16	222	72-7/8	71	69	14-1/2	9	45
72	72-GD5311-02	73-3/8	17-1/2	10-3/16	229	72-GD6311-02	72-1/2	18-3/8	10-11/16	240	85-1/4	83	81	16-1/2	9	57

① Use washers on 1/2-inch bolts.

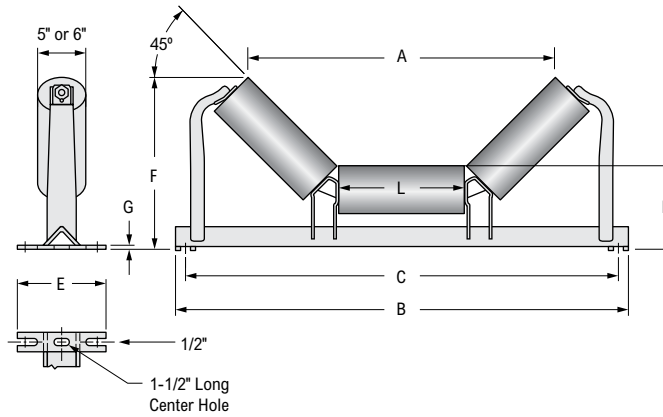
② Approximate distance to the top of the center roll of other idlers.

③ 0.31" to 0.72" belt width.

NOTE: Contact Rexnord for load rating.

Series D Dimensions

45° Troughing Idler — Equal Length Rolls

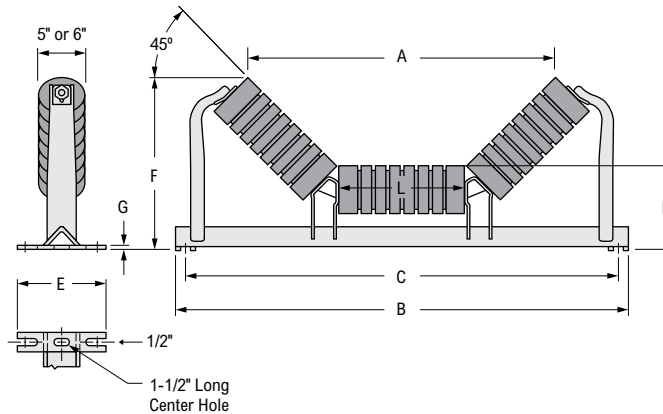


Dimensions (in) — Average Weight (lb)

Belt Width	5" Roll					6" Roll					B	C	E	G	L
	Product Number	A	F	H	Idler Weight	Product Number	A	F	H	Idler Weight					
18	18-GD5400-02	17-11/16	13-5/8	8-9/16	45	18-GD6400-02	17	14	9-1/16	51	29	27	9-1/4	5/16	7
20	20-GD5400-02	19-11/16	13-5/8	8-9/16	49	20-GD6400-02	19	14	9-1/16	57	31	29	9-1/4	5/16	9
24	24-GD5400-02	22-1/4	15-1/16	8-9/16	53	24-GD6400-02	21-9/16	15-3/8	9-1/16	62	35	33	9-1/4	5/16	9
30	30-GD5400-02	27-1/16	16-7/16	8-9/16	61	30-GD6400-02	26-3/8	16-13/16	9-1/16	72	41	39	9-1/4	5/16	11
36	36-GD5400-02	31-15/16	17-15/16	8-11/16	72	36-GD6400-02	31-3/16	18-5/16	9-3/16	81	47	45	9-1/4	5/16	13
42	42-GD5400-02	36-3/4	19-5/8	9	80	42-GD6400-02	36-1/16	20	9-1/2	92	53	51	9-1/4	5/16	15
48	48-GD5400-02	41-9/16	21-1/16	9	94	48-GD6400-02	40-7/8	21-7/16	9-1/2	105	59	57	9-1/4	5/16	17
54	54-GD5400-02	46-3/8	22-7/8	9-1/4	106	54-GD6400-02	45-11/16	23-3/16	9-3/4	119	65-1/2	63	11-1/2	3/8	19
60	60-GD5400-02	51-1/4	24-1/4	9-1/4	117	60-GD6400-02	50-1/2	24-5/8	9-3/4	134	71-1/2	69	11-1/2	3/8	21
72	72-GD5400-02	60-15/16	27-1/2	9-11/16	146	72-GD6400-02	60-1/4	27-13/16	10-3/16	163	83-1/2	81	11-1/2	3/8	25

① Use washers on 1/2-inch bolts.

45° Troughing Impact Idler — Equal Length Rolls



Dimensions (in) — Average Weight (lb)

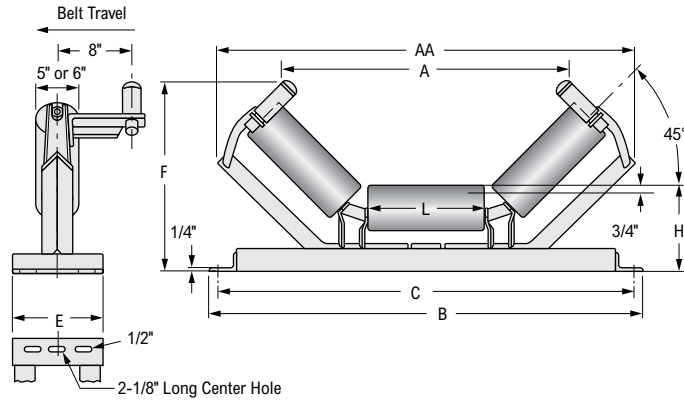
Belt Width	5" Roll					6" Roll					B	C	E	G	L
	Product Number	A	F	H	Idler Weight	Product Number	A	F	H	Idler Weight					
18	18-GD5402-02	17-11/16	13-5/8	8-9/16	47	18-GD6402-02	17	14	9-1/16	54	29	27	9-1/4	5/16	7
20	20-GD5402-02	19-11/16	13-5/8	8-9/16	51	20-GD6402-02	19	14	9-1/16	60	31	29	9-1/4	5/16	9
24	24-GD5402-02	22-1/4	15-1/16	8-9/16	55	24-GD6402-02	21-9/16	15-3/8	9-1/16	65	35	33	9-1/4	5/16	9
30	30-GD5402-02	27-1/16	16-7/16	8-9/16	64	30-GD6402-02	26-3/8	16-13/16	9-1/16	75	41	39	9-1/4	5/16	11
36	36-GD5402-02	31-15/16	17-15/16	8-11/16	75	36-GD6402-02	31-3/16	18-5/8	9-3/16	84	47	45	9-1/4	5/16	13
42	42-GD5402-02	36-3/4	19-5/8	9	84	42-GD6402-02	36-1/16	20	9-1/2	96	53	51	9-1/4	5/16	15
48	48-GD5402-02	41-9/16	21-1/16	9	98	48-GD6402-02	40-7/8	21-7/16	9-1/2	109	59	57	9-1/4	5/16	17
54	54-GD5402-02	46-3/8	22-7/8	9-1/4	110	54-GD6402-02	45-11/16	23-3/16	9-3/4	123	65-1/2	63	11-1/2	3/8	19
60	60-GD5402-02	51-1/4	24-1/4	9-1/4	121	60-GD6402-02	50-1/2	24-5/8	9-3/4	139	71-1/2	69	11-1/2	3/8	21
72	72-GD5402-02	60-15/16	27-1/2	9-11/16	148	72-GD6402-02	60-1/4	27-13/16	10-3/16	167	83-1/2	81	11-1/2	3/8	25

① Use washers on 1/2-inch bolts.

Series D Dimensions

45° Troughing Training Idler — Equal Length Rolls

Positive Arm Type — Belt Travel One Direction Only



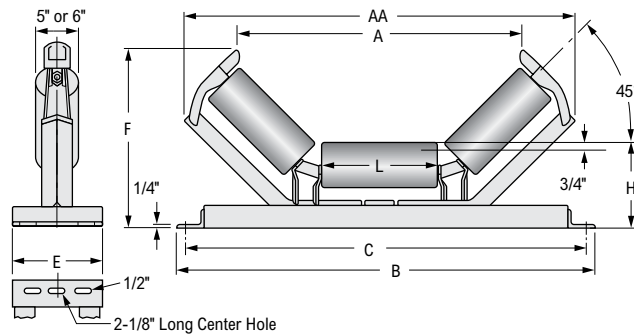
Dimensions (in) — Average Weight (lb)

Belt Width	5" Roll			6" Roll			A	AA	B	C	E	F	L
	Product Number	H	Idler Weight	Product Number	H	Idler Weight							
18	18-GD5412-02	9-1/4	106	18-GD6412-02	9-3/4	118	17-3/4	31-7/8	29	27	10	17-1/16	7
20	20-GD5412-02	9-1/4	111	20-GD6412-02	9-3/4	123	19-3/4	33-7/8	31	29	10	17-1/16	9
24	24-GD5412-02	9-1/4	122	24-GD6412-02	9-3/4	134	22-9/16	36-9/16	35	33	10	18-1/2	9
30	30-GD5412-02	9-1/4	137	30-GD6412-02	9-3/4	149	27-3/8	41-3/8	41	39	10	20	11
36	36-GD5412-02	9-5/16	149	36-GD6412-02	9-13/16	164	32-3/16	46-1/4	47	45	10	21-3/8	13
42	42-GD5412-02	9-13/16	169	42-GD6412-02	10-5/16	181	37	51-9/16	53	51	14-1/2	22-3/16	15
48	48-GD5412-02	9-13/16	183	48-GD6412-02	10-5/16	196	41-7/8	56-3/8	59	57	14-1/2	24-3/4	17
54	54-GD5412-02	10-3/16	198	54-GD6412-02	10-11/16	212	46-11/16	61-5/8	65	63	14-1/2	26-1/2	19
60	60-GD5412-02	10-3/16	215	60-GD6412-02	10-11/16	227	51-1/2	66-7/16	71	69	14-1/2	27-15/16	21
72	72-GD5412-02	10-3/16	254	72-GD6412-02	10-11/16	263	60-1/4	76-5/8	83	81	16-1/2	30-1/2	25

- ① Use washers on 1/2-inch bolts.
- ② Approximate distance to the top of the center roll of other idlers.
- ③ 0.31" to 0.72" belt width.

45° Troughing Training Idler — Equal Length Rolls

Actuating Shoe Type — Belt Travel Either Direction



Dimensions (in) — Average Weight (lb)

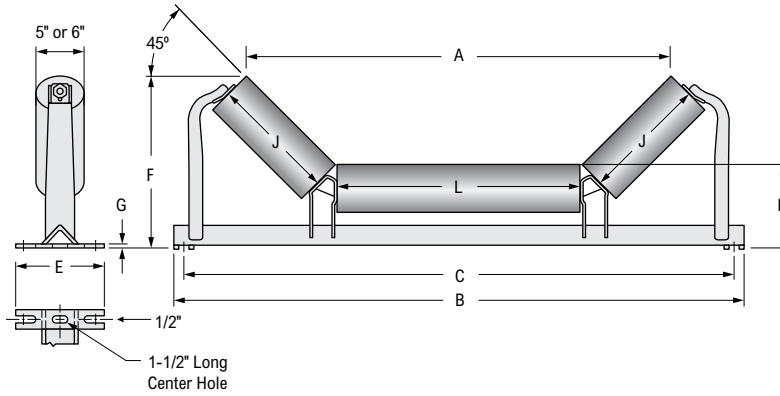
Belt Width	5" Roll					6" Roll					AA	B	C	E	L
	Product Number	A	F	H	Idler Weight	Product Number	A	F	H	Idler Weight					
18	18-GD5410-02	18-1/4	16-3/16	9-1/4	104	18-GD6410-02	16-5/8	16-15/16	9-3/4	116	31-7/8	29	27	10	7
20	20-GD5410-02	20-1/4	16-3/16	9-1/4	109	20-GD6410-02	18-5/8	16-15/16	9-3/4	121	33-7/8	31	29	10	9
24	24-GD5410-02	22-9/16	17-9/16	9-1/4	120	24-GD6410-02	21-1/2	18-5/16	9-3/4	132	35-9/16	35	33	10	9
30	30-GD5410-02	27-15/16	19-1/16	9-1/4	135	30-GD6410-02	26-5/16	19-3/4	9-3/4	147	41-3/8	41	39	10	11
36	36-GD5410-02	32-3/4	20-7/16	9-5/16	147	36-GD6410-02	31-1/8	21-1/4	9-13/16	162	46-1/4	47	45	10	13
42	42-GD5410-02	37-9/16	22-3/8	9-13/16	165	42-GD6410-02	35-15/16	23-1/8	10-5/16	178	51-9/16	53	51	14-1/2	15
48	48-GD5410-02	42-3/8	23-3/4	9-13/16	180	48-GD6410-02	40-13/16	24-9/16	10-5/16	193	56-3/8	59	57	14-1/2	17
54	54-GD5410-02	47-1/4	25-9/16	10-3/16	195	54-GD6410-02	45-5/8	26-5/16	10-11/16	208	61-5/8	65	63	14-1/2	19
60	60-GD5410-02	52-1/16	27	10-3/16	211	60-GD6410-02	50-7/16	27-3/4	10-11/16	224	66-7/16	71	69	14-1/2	21
72	72-GD5410-02	62-3/16	29-13/16	10-3/16	249	72-GD6410-02	60-3/4	30-9/16	10-11/16	260	76-5/8	83	81	16-1/2	25

- ① Use washers on 1/2-inch bolts.
- ② Approximate distance to the top of the center roll of other idlers.
- ③ 0.31" to 0.72" belt width.

Series D Dimensions

45° Troughing Idler — Unequal Length Rolls

Made-to-Order Only



Dimensions (in) — Average Weight (lb)

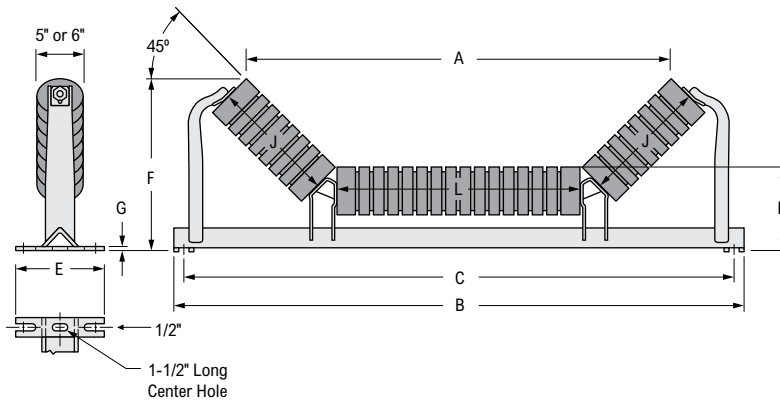
Belt Width	5" Roll					6" Roll					B	C	E	G	J	L
	Product Number	A	F	H	Idler Weight	Product Number	A	F	H	Idler Weight						
30	30-GD5401-02	28-1/4	15-1/16	8-9/16	59	30-GD6401-02	27-9/16	15-3/8	9-1/16	70	41	39	9-1/4	5/16	9	15
36	36-GD5401-02	34-1/4	15-1/8	8-11/16	75	36-GD6401-02	33-9/16	15-7/16	9-3/16	79	47	45	9-1/4	5/16	9	21
42	42-GD5401-02	40-1/4	15-7/16	9	82	42-GD6401-02	39-9/16	15-3/4	9-1/2	91	53	51	9-1/4	5/16	9	27
48	48-GD5401-02	46-1/4	15-7/16	9	91	48-GD6401-02	45-9/16	15-3/4	9-1/2	101	59	57	9-1/4	5/16	9	33
54	54-GD5401-02	52-1/4	15-13/16	9-1/4	102	54-GD6401-02	51-9/16	16-1/8	9-3/4	115	65-1/2	63	11-1/2	3/8	9	39
60	60-GD5401-02	58-1/4	15-13/16	9-1/4	114	60-GD6401-02	57-9/16	16-1/8	9-3/4	130	71-1/2	69	11-1/2	3/8	9	45
72	72-GD5401-02	70-1/4	15-13/16	9-11/16	141	72-GD6401-02	69-9/16	16-1/8	10-3/16	157	83-1/2	81	11-1/2	3/8	9	57

① Use washers on 1/2-inch bolts.

NOTE: Contact Rexnord for load rating.

45° Troughing Impact Idler — Unequal Length Rolls

Made-to-Order Only



Dimensions (in) — Average Weight (lb)

Belt Width	5" Roll					6" Roll					B	C	E	G	J	L
	Product Number	A	F	H	Idler Weight	Product Number	A	F	H	Idler Weight						
30	30-GD5403-02	28-1/4	15-1/16	8-9/16	62	30-GD6403-02	27-9/16	15-3/8	9-1/16	73	41	39	9-1/4	5/16	9	15
36	36-GD5403-02	34-1/4	15-1/8	8-11/16	73	36-GD6403-02	33-9/16	15-7/16	9-3/16	82	47	45	9-1/4	5/16	9	21
42	42-GD5403-02	40-1/4	15-7/16	9	81	42-GD6403-02	39-9/16	15-3/4	9-1/2	93	53	51	9-1/4	5/16	9	27
48	48-GD5403-02	46-1/4	15-7/16	9	95	48-GD6403-02	45-9/16	15-3/4	9-1/2	106	53	57	9-1/4	5/16	9	33
54	54-GD5403-02	52-1/4	15-13/16	9-1/4	106	54-GD6403-02	51-9/16	16-1/8	9-3/4	119	65-1/2	63	11-1/2	3/8	9	39
60	60-GD5403-02	58-1/4	15-13/16	9-1/4	117	60-GD6403-02	57-9/16	16-1/8	9-3/4	135	71-1/2	69	11-1/2	3/8	9	45
72	72-GD5403-02	70-1/4	15-13/16	9-11/16	143	72-GD6403-02	69-9/16	16-1/8	10-3/16	161	83-1/2	81	11-1/2	3/8	9	57

① Use washers on 1/2-inch bolts.

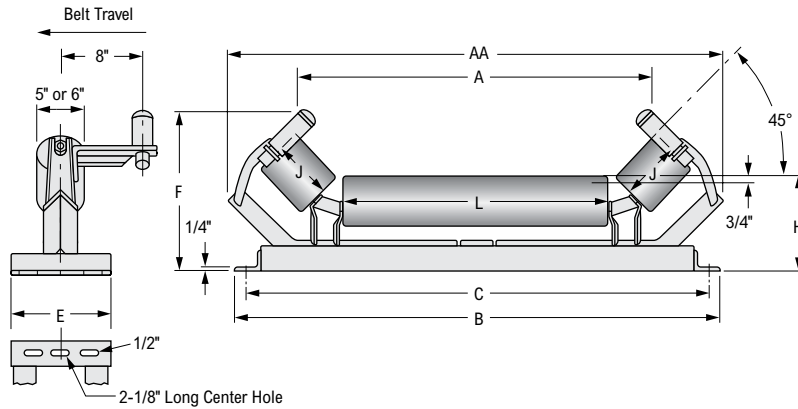
NOTE: Contact Rexnord for load rating.

Series D Dimensions

45° Troughing Training Idler — Unequal Length Rolls

Positive Arm Type — Belt Travel One Direction Only

Made-to-Order Only



Dimensions (in) — Average Weight (lb)

Belt Width	5" Roll			6" Roll			A	AA	B	C	E	F	J	L
	Product Number	H	Idler Weight	Product Number	H	Idler Weight								
30	30-GD5413-02	9-1/4	135	30-GD6413-02	9-3/4	147	28-9/16	42-9/16	41	39	10	18-1/2	9	15
36	36-GD5413-02	9-5/16	147	36-GD6413-02	9-13/16	162	34-9/16	48-5/8	47	45	10	18-9/16	9	21
42	42-GD5413-02	9-13/16	166	42-GD6413-02	10-5/16	180	40-9/16	55-1/16	53	51	14-1/2	19-1/16	9	27
48	48-GD5413-02	9-13/16	180	48-GD6413-02	10-5/16	193	46-9/16	61-1/16	59	57	14-1/2	19-1/16	9	33
54	54-GD5413-02	10-3/16	194	54-GD6413-02	10-11/16	208	52-9/16	67-1/2	65	63	14-1/2	19-7/16	9	39
60	60-GD5413-02	10-3/16	211	60-GD6413-02	10-11/16	223	58-9/16	73-1/2	71	69	14-1/2	19-7/16	9	45
72	72-GD5413-02	10-3/16	248	72-GD6413-02	10-11/16	259	69-5/8	86	83	81	16-1/2	19-7/16	9	57

① Use washers on 1/2-inch bolts.

② Approximate distance to the top of the center roll of other idlers.

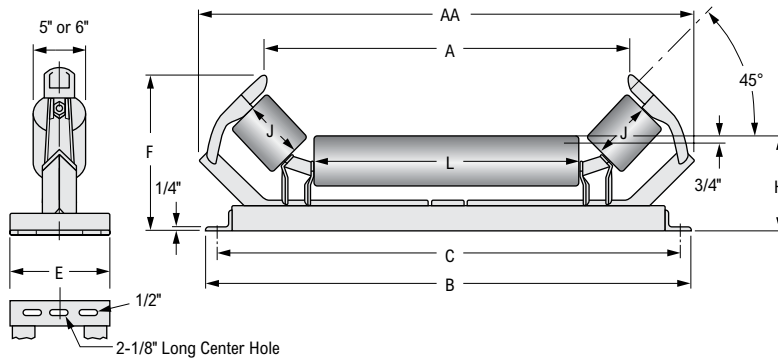
③ 0.31" to 0.72" belt width.

NOTE: Contact Rexnord for load rating.

45° Troughing Training Idler — Unequal Length Rolls

Actuating Shoe Type — Belt Travel Either Direction

Made-to-Order Only



Dimensions (in) — Average Weight (lb)

Belt Width	5" Roll					6" Roll					AA	B	C	E	J	L
	Product Number	A	F	H	Idler Weight	Product Number	A	F	H	Idler Weight						
30	30-GD5411-02	29-1/16	17-9/16	9-1/4	133	30-GD6411-02	27-1/2	18-5/16	9-3/4	145	42-9/16	41	39	10	9	15
36	36-GD5411-02	35-1/16	17-5/8	9-5/16	145	36-GD6411-02	33-1/2	18-3/8	9-13/16	160	48-5/8	47	45	10	9	21
42	42-GD5411-02	41-1/16	18-1/4	9-13/16	162	42-GD6411-02	39-1/2	18-7/8	10-5/16	177	55-1/16	53	51	14-1/2	9	27
48	48-GD5411-02	47-1/16	18-1/4	9-13/16	177	48-GD6411-02	45-1/2	18-7/8	10-5/16	190	61-1/16	59	57	14-1/2	9	33
54	54-GD5411-02	53-1/16	18-5/8	10-3/16	191	54-GD6411-02	51-1/2	19-1/4	10-11/16	204	67-1/2	65	63	14-1/2	9	39
60	60-GD5411-02	59-1/16	18-5/8	10-3/16	207	60-GD6411-02	57-1/2	19-1/4	10-11/16	220	73-1/2	71	69	14-1/2	9	45
72	72-GD5411-02	71-1/16	18-5/8	10-3/16	241	72-GD6411-02	69-1/2	19-1/4	10-11/16	255	80-5/16	83	81	16-1/2	9	57

① Use washers on 1/2-inch bolts.

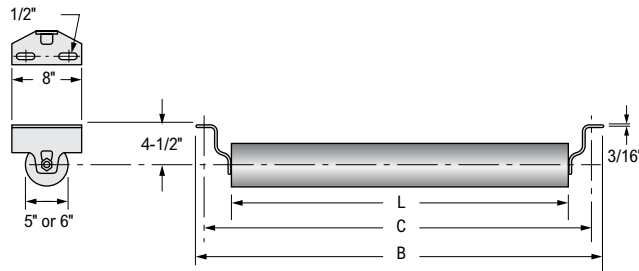
② Approximate distance to the top of the center roll of other idlers.

③ 0.31" to 0.72" belt width.

NOTE: Contact Rexnord for load rating.

Series D Dimensions

Return Steel Idler



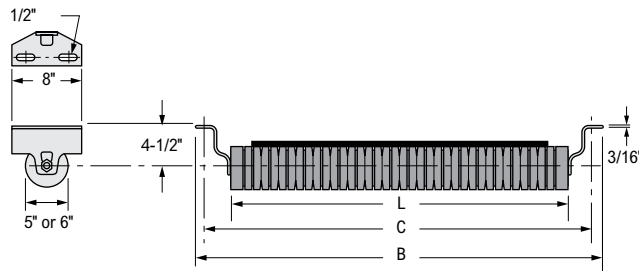
Dimensions (in) — Average Weight (lb)

Belt Width	5" Roll		6" Roll		B	C	L	
	Product Number	Idler Weight and Thickness	Product Number	Idler Weight and Thickness				
		0.149"		0.165"				0.250"
54	54-GD5040-02	58	54-GD6040-02	70	95	65	63	57
60	60-GD5040-02	63	60-GD6040-02	79	107	71	69	63
72	72-GD5040-02	74	72-GD6040-02	93	126	83	81	75

① Use washers on 1/2-inch bolts.

② Available with 1-1/2-, 11-3/4- or 16-1/2-inch drop.

Return Rubber Idler



Dimensions (in) — Average Weight (lb)

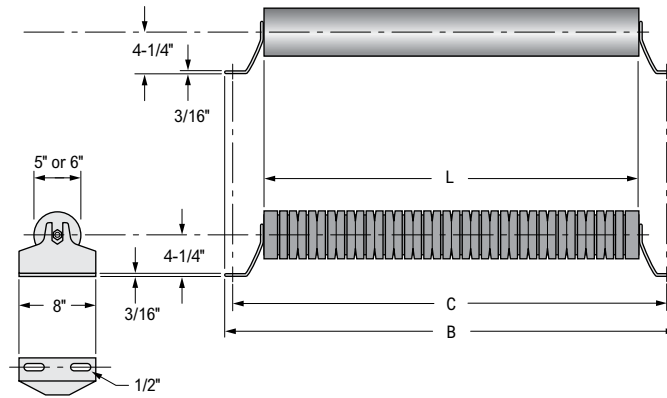
Belt Width	5" Roll		6" Roll		B	C	L
	Product Number	Idler Weight and Thickness	Product Number	Idler Weight and Thickness			
		1.47"		1.97"			
54	54-GD5049-02	85	54-GD6049-02	92	65	63	57
60	60-GD5049-02	90	60-GD6049-02	100	71	69	63
72	72-GD5049-02	106	72-GD6049-02	116	83	81	75

① Use washers on 1/2-inch bolts.

② Available with 1-1/2-, 11-3/4- or 16-1/2-inch drop.

Series D Dimensions

Flat Steel Idler

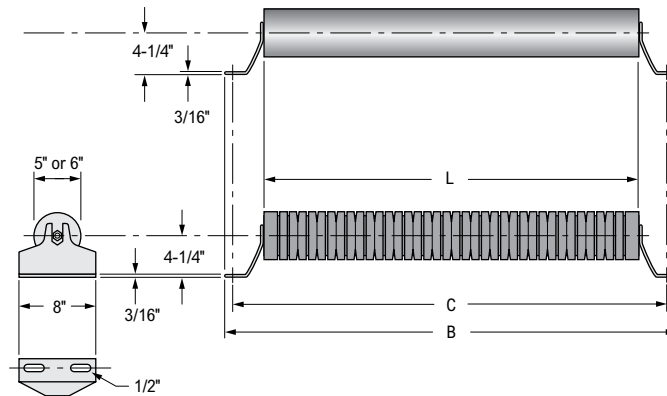


Dimensions (in) — Average Weight (lb)

Belt Width	5" Roll		6" Roll		B	C	L
	Product Number	Idler Weight and Thickness 0.149"	Product Number	Idler Weight and Thickness 0.165" 0.250"			
54	54-GD5020-02	58	54-GD6020-02	70 95	65	63	57
60	60-GD5020-02	63	60-GD6020-02	79 107	71	69	63
72	72-GD5020-02	74	72-GD6020-02	93 126	83	81	75

① Use washers on 1/2-inch bolts.

Flat Rubber Idler



Dimensions (in) — Average Weight (lb)

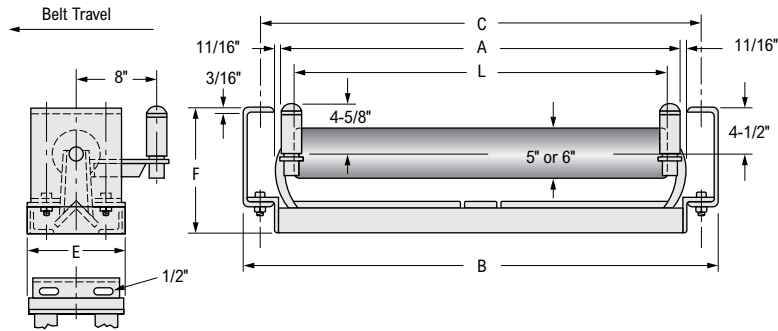
Belt Width	5" Roll		6" Roll		B	C	L
	Product Number	Idler Weight and Thickness 1.47"	Product Number	Idler Weight and Thickness 1.97"			
54	54-GD5025-02	85	54-GD6025-02	92	65	63	57
60	60-GD5025-02	90	60-GD6025-02	100	71	69	63
72	72-GD5025-02	106	72-GD6025-02	116	83	81	75

① Use washers on 1/2-inch bolts.

Series D Dimensions

Return Training Idler

Positive Arm Type — Belt Travel One Direction Only



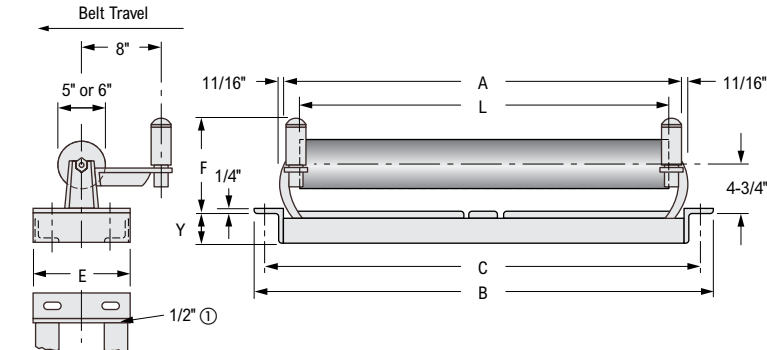
Dimensions (in) — Average Weight (lb)

Belt Width	5" Roll		6" Roll		A	B	C	E	F	L	
	Product Number	Idler Weight and Thickness 0.149"	Product Number	Idler Weight and Thickness							
				0.165"							0.250"
54	54-GD5052-02	178	54-GD6052-02	192	216	59-5/8	65-1/2	63	14-1/2	13	57
60	60-GD5052-02	188	60-GD6052-02	200	227	65-5/8	71-1/2	69	14-1/2	13	63
72	72-GD5052-02	208	72-GD6052-02	214	238	77-5/8	83-1/2	81	16-1/2	13-15/16	75

- ① Use washers on 1/2-inch bolts.
- ② Available with 1-1/2- or 11-3/4-inch drop.
- ③ 1/4" to 0.72" belt width.

Flat Training Idler

Positive Arm Type — Belt Travel One Direction Only



Dimensions (in) — Average Weight (lb)

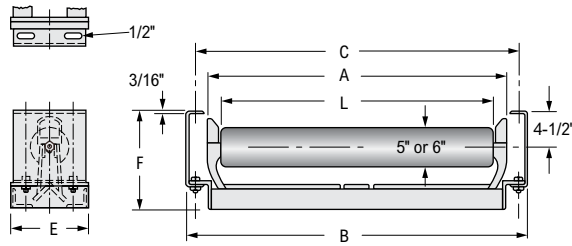
Belt Width	5" Roll		6" Roll		A	B	C	E	F	L	Y	
	Product Number	Idler Weight and Thickness 0.149"	Product Number	Idler Weight and Thickness								
				0.165"								0.250"
54	54-GD5031-02	173	54-GD6031-02	187	211	59-5/8	64-3/4	63	14-1/2	9-3/8	57	3-9/16
60	60-GD5031-02	183	60-GD6031-02	198	225	65-5/8	70-3/4	69	14-1/2	9-3/8	63	3-9/16
72	72-GD5031-02	202	72-GD6031-02	208	234	77-5/8	82-3/4	81	16-1/2	9-3/4	75	3-9/16

- ① Use washers on 1/2-inch bolts.

Series D Dimensions

Return Training Idler

Actuating Shoe Type — Belt Travel Either Direction



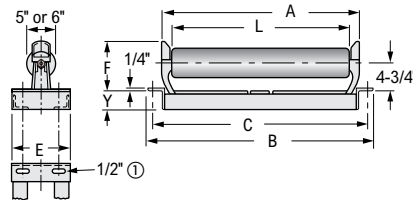
Dimensions (in) — Average Weight (lb)

Belt Width	5" Roll		6" Roll			A	B	C	E	F	L
	Product Number	Idler Weight and Thickness 0.149"	Product Number	Idler Weight and Thickness							
				0.165"	0.250"						
54	54-GD5052-02	178	54-GD6052-02	192	216	59-5/8	65-1/2	63	14-1/2	13	57
60	60-GD5052-02	188	60-GD6052-02	200	227	65-5/8	71-1/2	69	14-1/2	13	63
72	72-GD5052-02	208	72-GD6052-02	214	238	77-5/8	83-1/2	81	14-1/2	13-15/16	75

- ① Use washers on 1/2-inch bolts.
- ② Available with 1-1/2- or 11-3/4-inch drop.
- ③ 1/4" to 0.72" belt width.

Flat Training Idler

Actuating Shoe Type — Belt Travel Either Direction



Dimensions (in) — Average Weight (lb)

Belt Width	5" Roll		6" Roll			A	B	C	E	L	Y		
	Product Number	F	Idler Weight and Thickness 0.149"	Product Number	F							Idler Weight and Thickness	
												0.165"	0.250"
54	54-GD5030-02	8	171	54-GD6030-02	9-1/8	185	209	60-1/8	64-3/4	63	14-1/2	57	3-9/16
60	60-GD5030-02	8	181	60-GD6030-02	9-1/8	196	222	66-1/8	70-3/4	69	14-1/2	63	3-9/16
72	72-GD5030-02	8	200	72-GD6030-02	9-1/8	215	247	78-1/8	82-3/4	81	16-1/2	75	3-9/16

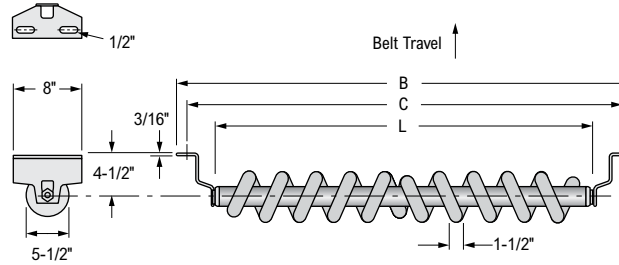
- ① Use washers on 1/2-inch bolts.

Series D Dimensions

Spiral Return Idler

Belt Travel One Direction Only

Rex Spiral Return Idlers minimize belt fleet and damage on the return belt which would otherwise result from material buildup. The correct direction of rotation is important and is clearly marked on each idler. The "V" formed by right-hand and left-hand spirals should point in the direction of rotation.



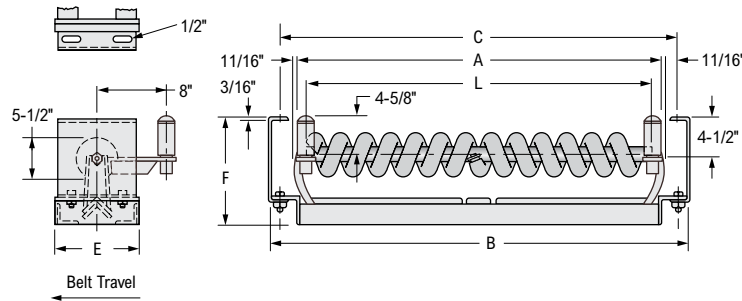
Dimensions (in) — Average Weight (lb)

Belt Width	6" (F/S)		6" (R/G)		B	C	L	Idler Weight
	Product Number	Product Number	Product Number	Product Number				
54	54-GD6042-02	54-GD6042-01	54-GD6042-01	54-GD6042-02	65	63	57	58
60	60-GD6042-02	60-GD6042-01	60-GD6042-01	60-GD6042-02	71	69	63	67
72	72-GD6042-02	72-GD6042-01	72-GD6042-01	72-GD6042-02	83	81	75	85

- ① Use washers on 1/2-inch bolts.
- ② Available with 1-1/2-, 11-3/4- or 16-1/2-inch drop.

Spiral Return Training Idler

Positive Arm Type — Belt Travel One Direction Only



Dimensions (in) — Average Weight (lb)

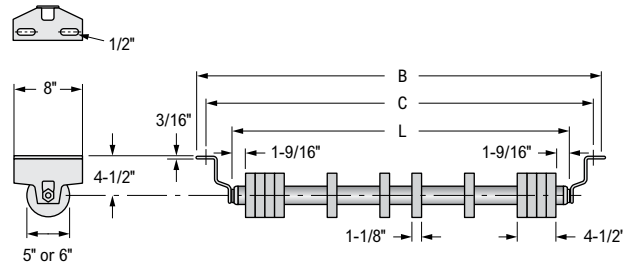
Belt Width	6" (F/S)		6" (R/G)		A	B	C	E	F	L	Idler Weight
	Product Number	Product Number	Product Number	Product Number							
54	54-GD6057-02	54-GD6057-01	54-GD6057-01	54-GD6057-02	59-5/8	65-1/2	63	14-1/2	13	57	169
60	60-GD6057-02	60-GD6057-01	60-GD6057-01	60-GD6057-02	65-5/8	71-1/2	69	14-1/2	13	63	179
72	72-GD6057-02	72-GD6057-01	72-GD6057-01	72-GD6057-02	77-5/8	83-1/2	81	16-1/2	13-15/16	75	197

- ① Use washers on 1/2-inch bolts.
- ② Available with 1-1/2- or 11-3/4-inch drop.
- ③ 1/4" to 0.72" belt width.

Series D Dimensions

Disc Return Idler

Rex Disc Return Idlers minimize belt misalignment which can cause damage to the belt, resulting from material buildup on the return idler rolls. Available in rubber discs.



Four discs on each end is standard.

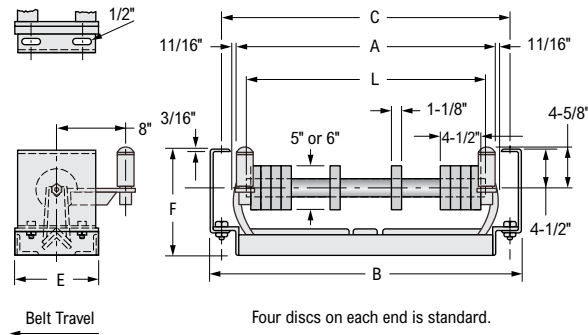
Dimensions (in) — Average Weight (lb)

Belt Width	5" Roll		6" Roll		B	C	L	No. of Discs
	Product Number	Idler Weight	Product Number	Idler Weight				
54	54-GD5043-02	49	54-GD6043-02	56	65	63	57	15
60	60-GD5043-02	54	60-GD6043-02	62	71	69	63	16
72	72-GD5043-02	65	72-GD6043-02	73	83	81	75	18

- ① Use washers on 1/2-inch bolts.
- ② Available with 1-1/2-, 11-3/4- or 16-1/2-inch drop.

Disc Return Training Idler

Positive Arm Type — Belt Travel One Direction Only



Four discs on each end is standard.

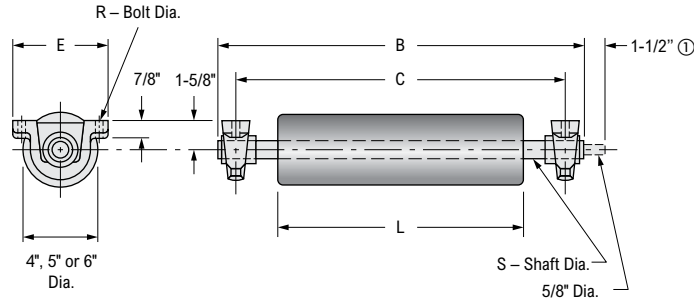
Dimensions (in) — Average Weight (lb)

Belt Width	5" Roll		6" Roll		A	B	C	E	F	L	No. of Discs
	Product Number	Idler Weight	Product Number	Idler Weight							
54	54-GD5056-02	183	54-GD6056-02	187	59-5/8	65-1/2	63	14-1/2	13	57	15
60	60-GD5056-02	195	60-GD6056-02	199	65-5/8	71-1/2	69	14-1/2	13	63	16
72	72-GD5056-02	216	72-GD6056-02	221	77-5/8	83-1/2	81	16-1/2	13-15/16	75	18

- ① Use washers on 1/2-inch bolts.
- ② Available with 1-1/2- or 11-3/4-inch drop.
- ③ 1/4" to 0.72" belt width.

Live Shaft Idlers

Live Shaft Return or Flat Idler



- F4041**
4-Inch Steel Roll
- F5041**
5-Inch Steel Roll
- F6041**
6-Inch Steel Roll ②

Dimensions (in) — Average Weight (lb)

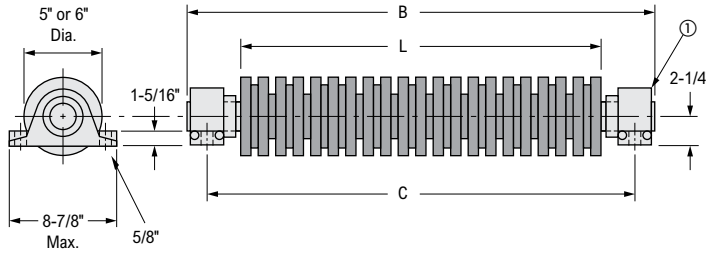
Belt Width	B	C	E	L	R	S	Idler Weight		
							4" Roll	5" Roll	6" Roll
18	29	27	6	21	1/2	1-3/16	24	27	32
20	31	29	6	23	1/2	1-3/16	27	31	38
24	35	33	6	27	1/2	1-3/16	31	37	44
30	41	39	6	33	1/2	1-3/16	36	42	51
36	47	45	6	39	1/2	1-3/16	41	48	57
42	53	51	6	45	1/2	1-3/16	47	54	65
48	59	57	6	51	1/2	1-3/16	53	60	72
54	65	63	6	57	1/2	1-3/16	—	—	79
60	71	69	6	63	1/2	1-3/16	—	—	85

① Idlers with stub shaft extension are available on request.

② Also available in 1/4" roll wall thickness.

NOTE: Return Idler shown. Rotate pillow blocks 180° for Flat Idler.

Heavy-duty — Live Shaft Flat Impact Idler (Photograph On Page 6)



- F5022**
5-Inch Rubber Roll
- F6022**
6-Inch Rubber Roll

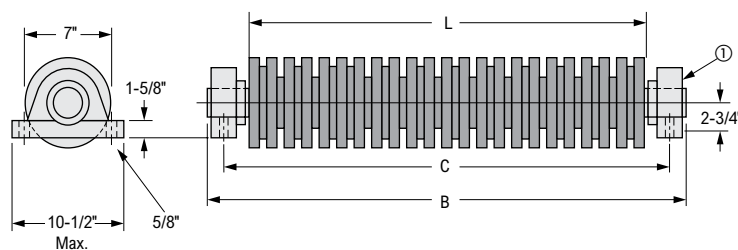
Dimensions (in) — Average Weight (lb)

Belt Width	B	C	L	Idler Weight	
				5" Roll	6" Roll
18	29-7/8	27	21	45	51
20	31-7/8	29	23	55	61
24	35-7/8	33	27	63	71
30	41-7/8	39	33	72	81
36	47-1/8	45	39	80	91
42	53-7/8	51	45	89	101
48	59-7/8	57	51	97	111
54	65-7/8	63	57	106	122
60	71-7/8	69	63	115	132

① Shaft is 2-1/16" and has 1-15/16" roller bearing pillow blocks.

Live Shaft Idlers

Super-Duty — Live Shaft Flat Impact Idler



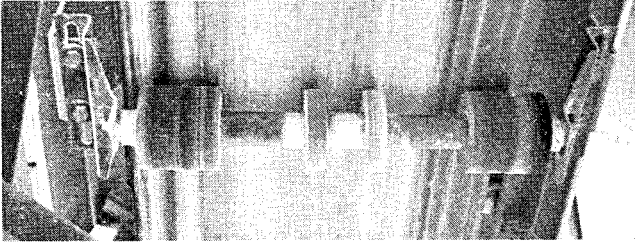
F7022
7-Inch Rubber Roll

Dimensions (in) — Average Weight (lb)

Belt Width	B	C	L	Idler Weight	
				5" Roll	6" Roll
30	43-3/4	39	34	2-13/16	130
36	49-3/4	45	40	2-15/16	150
42	55-3/4	51	46	3-1/4	170
48	61-3/4	57	52	3-1/4	190
54	67-3/4	63	58	3-1/2	210
60	73-3/4	69	64	3-1/2	230
72	85-3/4	81	76	3-15/16	270
84	97-3/4	93	88	—	310
96	109-3/4	105	100	—	350

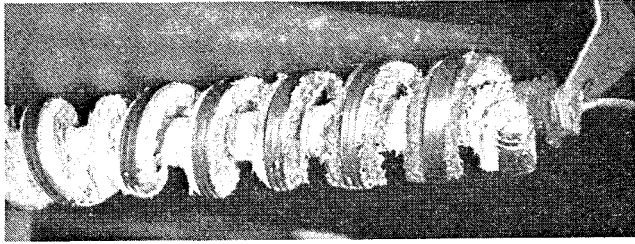
- ① Has 2-21/32" shaft and 2-7/16" roller bearing pillow blocks.
- ② Required rise when interspersed with Series C - 6" impact idlers.

Rex Idler Problem Solvers



Disc Idlers

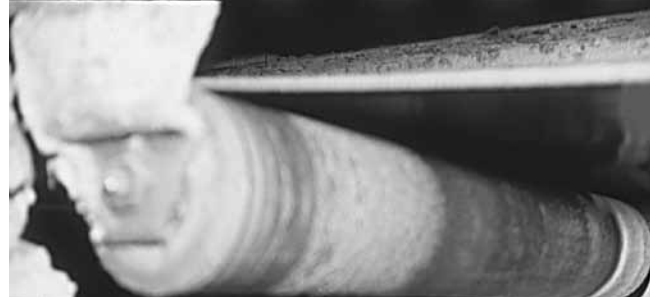
Rubber disc idlers are designed to allow material to fall off the belt, keeping the belt clean. Used in abrasive applications where temperatures do not exceed 200°F.



Spiral Idlers

The unique **Spiral** return idler has an ever-changing point of contact, providing a scrubbing action to resist material buildup. In most applications, four or five spiral idlers after the head pulley will adequately clean the belt. Temperatures not to exceed 200°F.

NOTE: Should not be used on reversing conveyors.



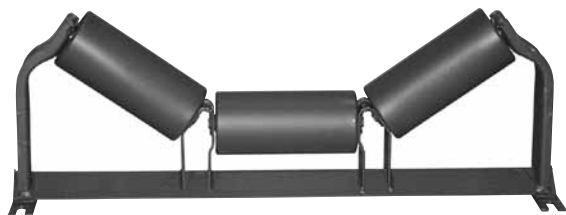
Return Idler

Six-inch steel return idlers are available in 1/4" wall at a nominal premium for abrasive and corrosive applications. Available in B+, C, D and E.

RexDura Idlers Basic Information

The Rex Line

There is a Rex Idler to meet your service requirements ranging from intermittent conveying of light materials to continuous conveying of very heavy materials.

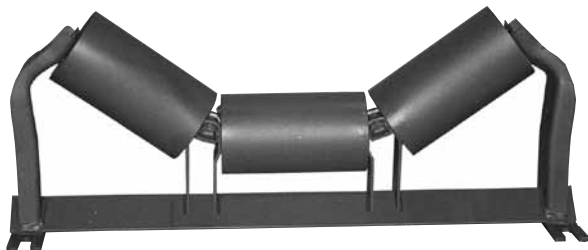


Series B

The light-duty line exceeds CEMA B specifications using heavy-duty ball bearings, available with 4" and 5" diameter rolls. Furnished in a wide selection of styles in 18" to 48" belt widths.

Available factory-sealed only.

Refer to **pages 64-75**.



Series C

The medium-duty line exceeds CEMA C specifications using precision ball bearings, available with 5" and 6" diameter rolls. Furnished in a wide selection of styles in 18" to 60" belt widths.

Available factory-sealed only.

Refer to **pages 76-89**.

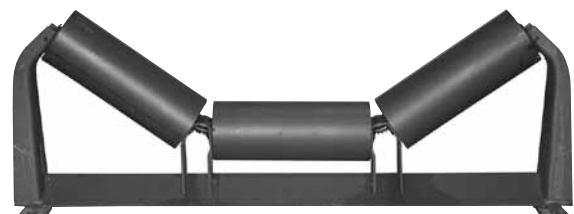


Series D

The medium-duty line exceeds CEMA D specifications, utilizing the Series C idler construction with heavier shafts to provide higher load capacity. Furnished in a wide selection of styles in 24" to 60" belt widths.

Available factory-sealed only.

Refer to **pages 90-102**.



Series E

The heavy-duty line exceeds CEMA E specifications using heavy-duty precision ball bearings, available with 6" and 7" diameter rolls. Furnished in a wide selection of styles in 36" to 96" belt widths.

Available factory-sealed only.

Refer to **pages 104-114**.

Series B RexDura Idlers

Series B – CEMA B Factory-Sealed

20° and 35° Trough – 4" and 5" Roll Diameter – 17 mm Solid Shaft

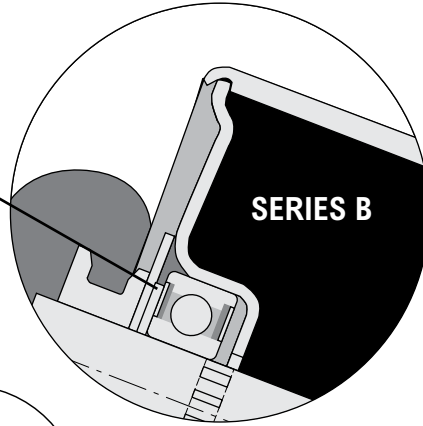
Longer Belt and Idler Life

The RexDura B offers a ball bearing and a durable seal in the same envelope dimensions as the Series B. Available as factory-sealed with solid shaft. Exceeds CEMA load rating requirements.

Factory-Sealed Idlers

Sealed-for-life with a rugged seal. Metal and polymeric covers protect the sealed bearing for longer life ...

B Series.



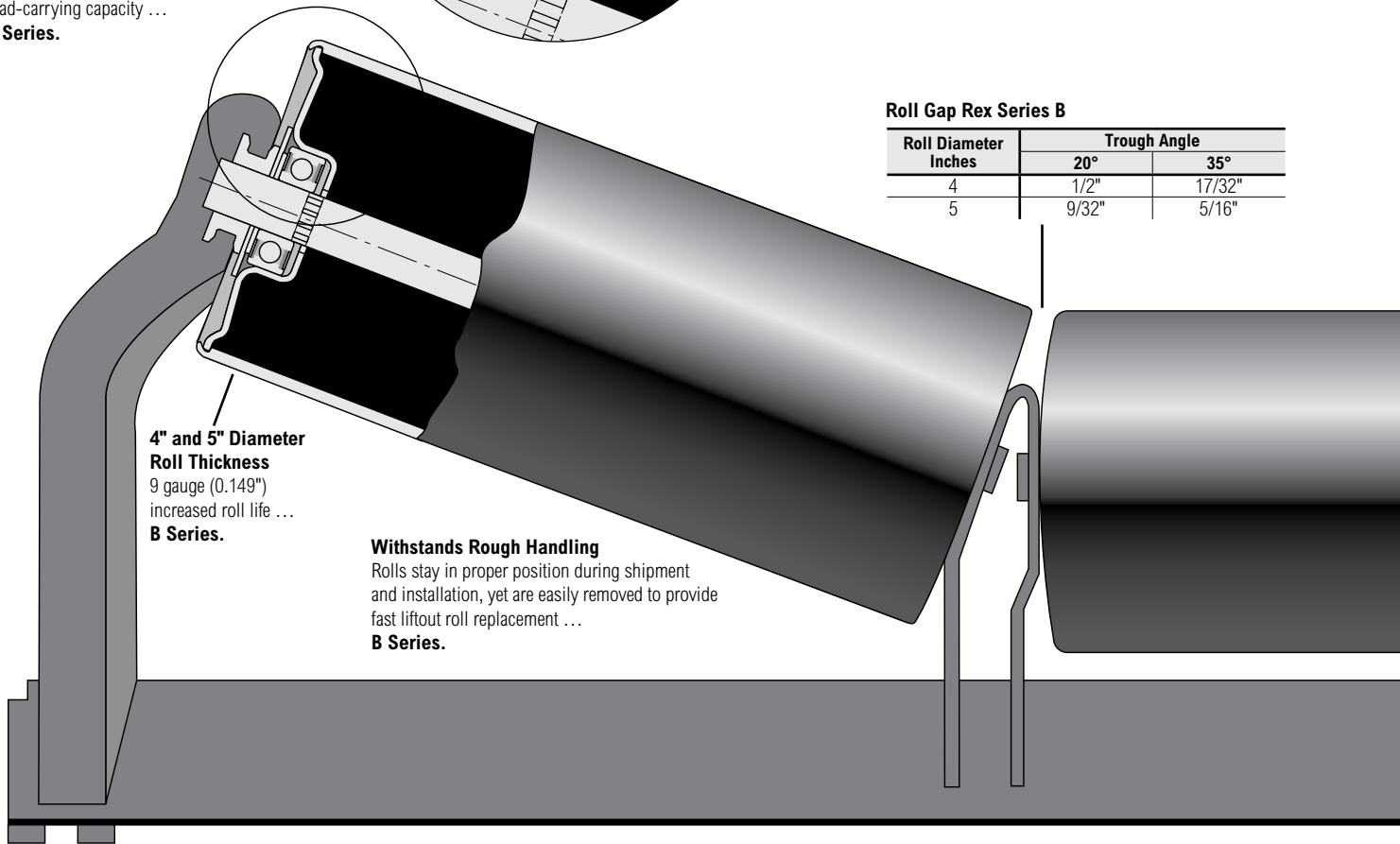
Longer Idler Life

Rugged ball bearings and 17 mm diameter shafts provide ample load-carrying capacity ...

B Series.

Roll Gap Rex Series B

Roll Diameter Inches	Trough Angle	
	20°	35°
4	1/2"	17/32"
5	9/32"	5/16"



4" and 5" Diameter Roll Thickness

9 gauge (0.149")
increased roll life ...

B Series.

Withstands Rough Handling

Rolls stay in proper position during shipment and installation, yet are easily removed to provide fast liftout roll replacement ...

B Series.

Interchangeability

... built to fit existing conveyor frame without cutting or fitting. Conforms to CEMA B dimensions ...

B Series.

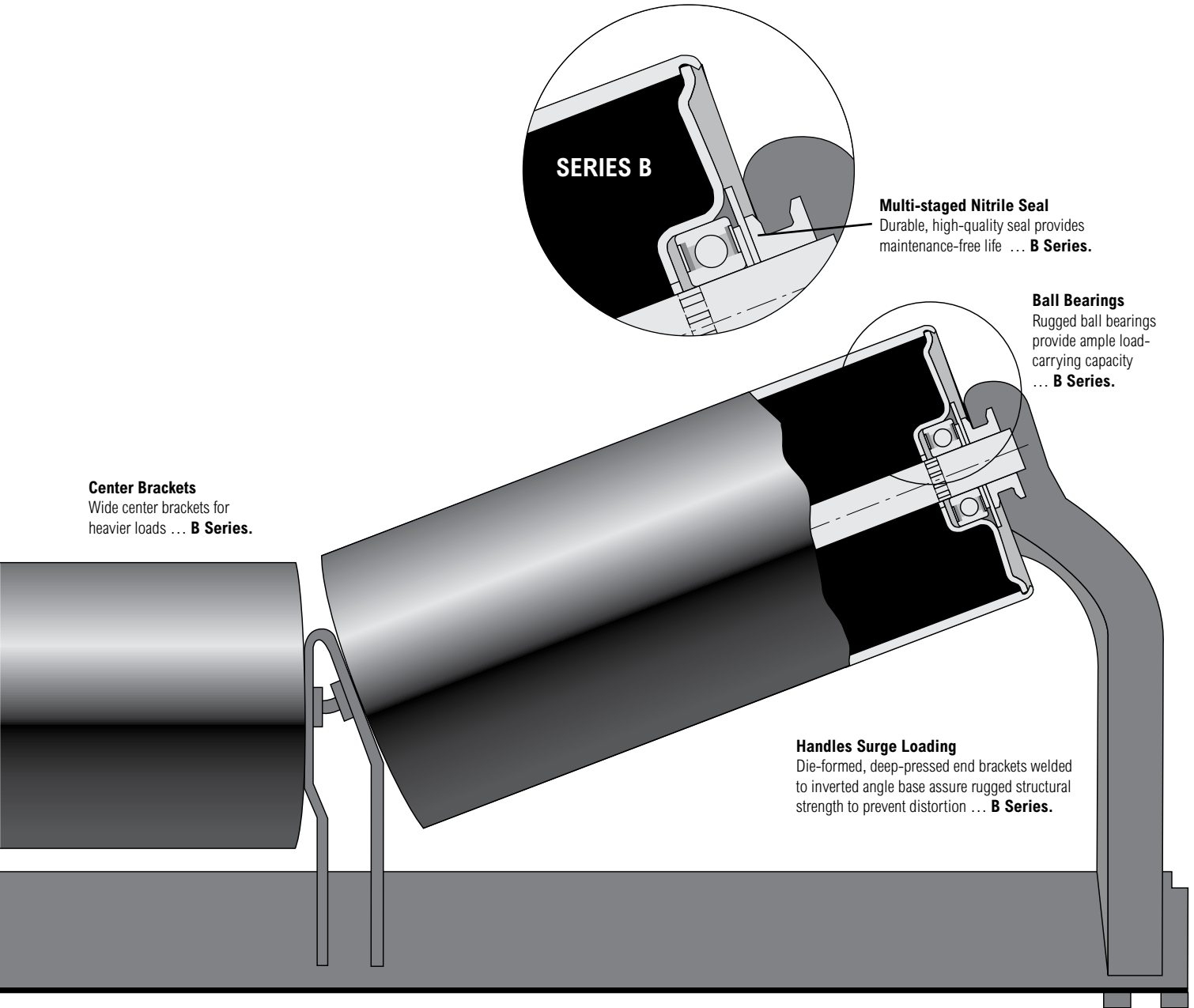
Self-Cleaning Base

Inverted angle base prevents buildup of spillage ... eliminates possible jamming of idler rolls ...

B Series.

Series B – CEMA B Idlers – 17 mm Solid Shaft – Factory-Sealed Only

Series B RexDura Idlers



SERIES B

Multi-staged Nitrile Seal
Durable, high-quality seal provides maintenance-free life ... **B Series.**

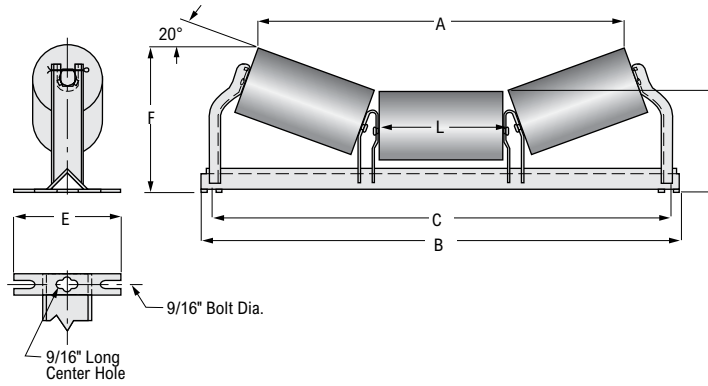
Ball Bearings
Rugged ball bearings provide ample load-carrying capacity ... **B Series.**

Center Brackets
Wide center brackets for heavier loads ... **B Series.**

Handles Surge Loading
Die-formed, deep-pressed end brackets welded to inverted angle base assure rugged structural strength to prevent distortion ... **B Series.**

Series B Dimensions

20° Troughing Idler — Equal Length Rolls

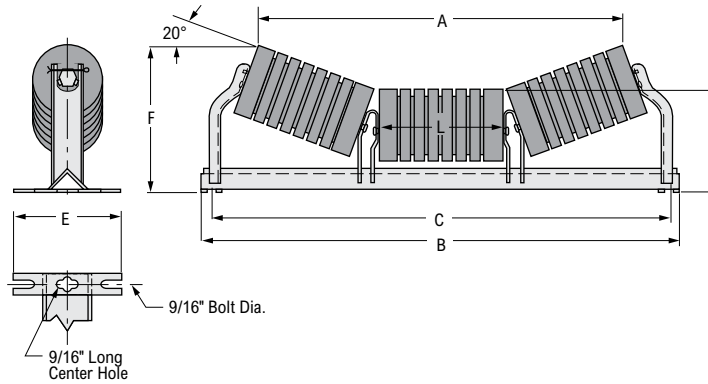


Dimensions (in) — Average Weight (lb)

Belt Width	4" Roll					5" Roll					B	C	E	L
	Product Number	A	F	H	Idler Weight	Product Number	A	F	H	Idler Weight				
18	18-DB4200-02	20-11/16	9-7/16	7	28	18-DB5200-02	20-3/8	9-15/16	20-3/8	32	29	27	8	6-3/4
20	20-DB4200-02	23-1/4	9-13/16	7	30	20-DB5200-02	22-7/8	10-1/4	22-7/8	34	31	29	8	7-5/8
24	24-DB4200-02	26-15/16	10-1/4	7	33	24-DB5200-02	26-11/16	10-11/16	26-11/16	38	35	33	8	8-15/16
30	30-DB4200-02	33-5/16	10-15/16	7	39	30-DB5200-02	32-15/16	11-7/16	32-15/16	43	41	39	8	11-1/8
36	36-DB4200-02	39-7/16	11-11/16	7	44	36-DB5200-02	39-1/16	12-3/16	39-1/16	49	47	45	8	13-1/4
42	42-DB4200-02	45-3/4	12-15/16	7-1/2	54	42-DB5200-02	45-3/8	13-7/16	45-3/8	60	53-1/2	51	9-1/2	15-7/16
48	48-DB4200-02	52-1/16	13-11/16	7-1/2	60	48-DB5200-02	51-11/16	14-3/16	51-11/16	66	59-1/2	57	9-1/2	17-5/8

① Use washers with 1/2" bolts.

20° Troughing Impact Idler — Equal Length Rolls



Dimensions (in) — Average Weight (lb)

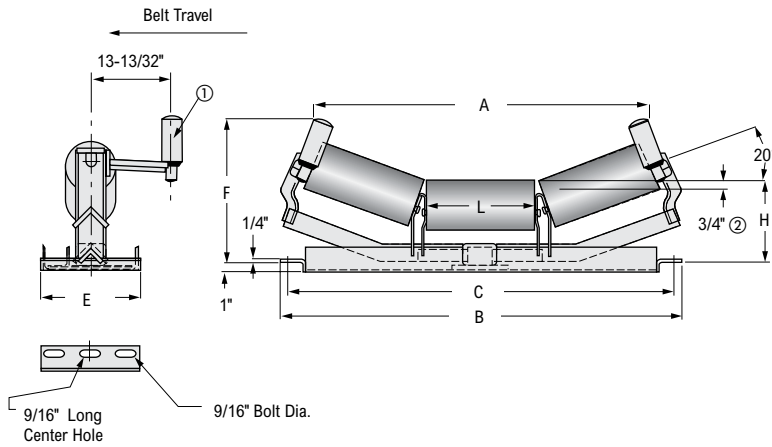
Belt Width	4" Roll					5" Roll					B	C	E	L
	Product Number	A	F	H	Idler Weight	Product Number	A	F	H	Idler Weight				
18	18-DB4202-02	18-11/16	9-1/16	7	37	18-DB5202-02	18-3/8	9-9/16	7-1/2	43	29	27	8	
20	20-DB4202-02	21-1/4	9-7/16	7	41	20-DB5202-02	20-7/8	9-7/8	7-1/2	49	31	29	8	
24	24-DB4202-02	24 15/16	9-7/8	7	47	24-DB5202-02	24-11/16	10-5/16	7-1/2	56	35	33	8	
30	30-DB4202-02	31-5/16	10-9/16	7	56	30-DB5202-02	30-15/16	11-1/16	7-1/2	65	41	39	8	
36	36-DB4202-02	37-7/16	11-5/16	7	66	36-DB5202-02	37-1/16	11-13/16	7-1/2	77	47	45	8	
42	42-DB4202-02	43-3/4	12-9/16	7-1/2	81	42-DB5202-02	43-3/8	13-1/16	8	95	53-1/2	51	9-1/2	
48	48-DB4202-02	50-1/16	13-5/16	7-1/2	92	48-DB5202-02	49-11/16	13-13/16	8	107	59-1/2	57	9-1/2	

① Use washers with 1/2" bolts.

Series B Dimensions

20° Troughing Training Idler — Equal Length Rolls

Positive Arm Type — Belt Travel One Direction Only



Dimensions (in) — Average Weight (lb)

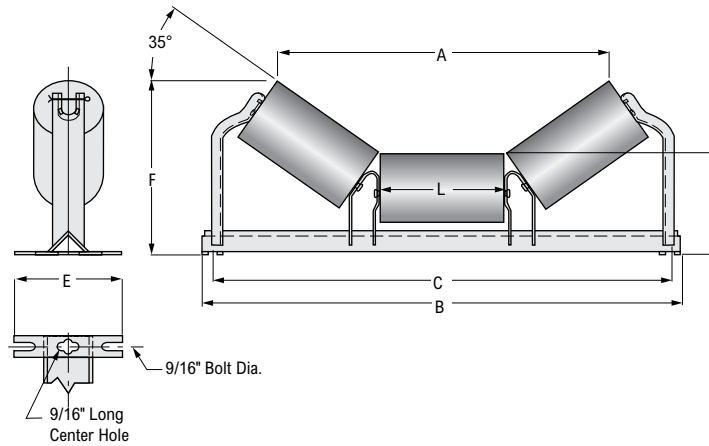
Belt Width	Product Number	4" Roll				Idler Weight	5" Roll				B	C	E	L
		A	F	H	Idler Weight		Product Number	A	F	H				
18	18-DB4212-02	20-11/16	9-15/16	7-1/2	79	18-DB5212-02	20-3/8	10-7/16	8	83	29	27	11	
20	20-DB4212-02	23-1/4	10-1/4	7-1/2	82	20-DB5212-02	22-7/8	10-3/4	8	86	31	29	11	
24	24-DB4212-02	26-15/16	10-11/16	7-1/2	87	24-DB5212-02	26-11/16	11-3/16	8	92	35	33	11	
30	30-DB4212-02	33-5/16	11-7/16	7-1/2	95	30-DB5212-02	32-15/16	11-15/16	8	100	41	39	11	
36	36-DB4212-02	39-7/16	12-3/16	7-1/2	103	36-DB5212-02	39-1/16	12-11/16	8	109	47	45	11	
42	42-DB4212-02	45-3/4	13-7/16	8	120	42-DB5212-02	45-3/8	13-15/16	8-1/2	126	53	51	11	
48	48-DB4212-02	52-1/16	14-3/16	8	128	48-DB5212-02	51-11/16	14-11/16	8-1/2	136	59-1/2	57	11	

① Positive Arm.

② Approximate distance to the top of the center roll of other idlers.

Series B Dimensions

35° Troughing Idler — Equal Length Rolls

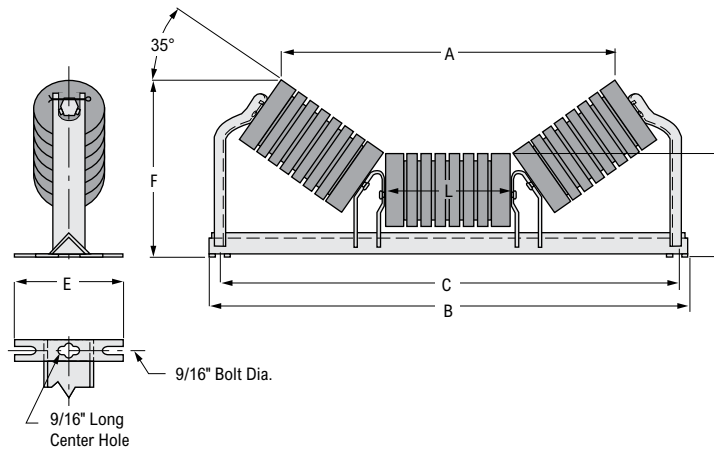


Dimensions (in) — Average Weight (lb)

Belt Width	4" Roll					5" Roll					B	C	E	L
	Product Number	A	F	H	Idler Weight	Product Number	A	F	H	Idler Weight				
18	18-DB4300-02	18-15/16	10-15/16	7	29	18-DB5300-02	18-3/8	11-3/8	7-1/2	32	29	27	8	6-3/4
20	20-DB4300-02	21-1/4	11-1/2	7	31	20-DB5300-02	20-11/16	11-15/16	7-1/2	35	31	29	8	7-5/8
24	24-DB4300-02	24-11/16	12-1/4	7	34	24-DB5300-02	24-1/8	12-5/8	7-1/2	39	35	33	8	8-15/16
30	30-DB4300-02	30-1/2	13-1/2	7	40	30-DB5300-02	29-7/8	13-15/16	7-1/2	45	41	39	8	11-1/8
36	36-DB4300-02	36-1/8	14-11/16	7	45	36-DB5300-02	35-1/2	15-1/8	7-1/2	51	47	45	8	13-1/4
42	42-DB4300-02	41-7/8	16-7/16	7-1/2	56	42-DB5300-02	41-1/4	16-7/8	8	62	53-1/2	51	9-1/2	15-7/16
48	48-DB4300-02	47-5/8	17-11/16	7-1/2	62	48-DB5300-02	47-1/16	18-1/8	8	69	59-1/2	57	9-1/2	17-5/8

① Use washers with 1/2" bolts.

35° Troughing Impact Idler — Equal Length Rolls



Dimensions (in) — Average Weight (lb)

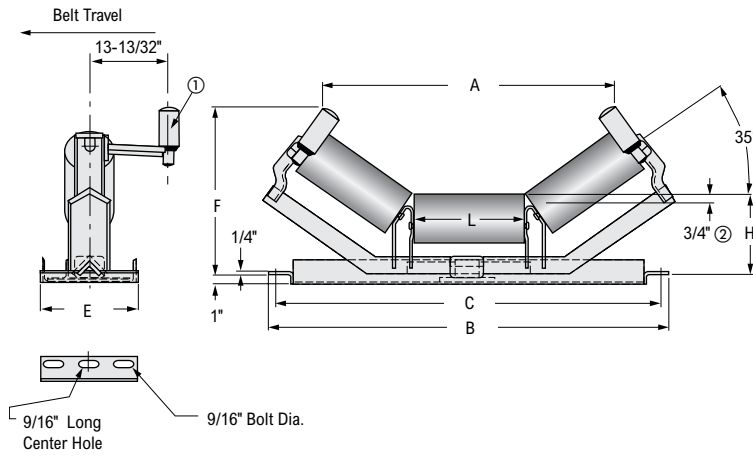
Belt Width	4" Roll					5" Roll					B	C	E	L
	Product Number	A	F	H	Idler Weight	Product Number	A	F	H	Idler Weight				
18	18-DB4302-02	17-3/16	10-5/16	7	38	18-DB5302-02	16-5/8	10-3/4	7-1/2	44	29	27	8	4-5/8
20	20-DB4302-02	19-1/2	10-7/8	7	42	20-DB5302-02	18-15/16	11-5/16	7-1/2	50	31	29	8	5-1/2
24	24-DB4302-02	22-15/16	11-5/8	7	48	24-DB5302-02	22-3/8	12	7-1/2	57	35	33	8	6-13/16
30	30-DB4302-02	28-3/4	12-7/8	7	60	30-DB5302-02	28-1/8	13-5/16	7-1/2	67	41	39	8	9
36	36-DB4302-02	34-3/8	14-1/16	7	68	36-DB5302-02	33-3/4	14-1/2	7-1/2	79	47	45	8	11-1/8
42	42-DB4302-02	40-1/8	15-13/16	7-1/2	83	42-DB5302-02	39-1/2	16-1/4	8	96	53-1/2	51	9-1/2	13-5/16
48	48-DB4302-02	45-7/8	17-1/16	7-1/2	95	48-DB5302-02	45-5/16	17-1/2	8	109	59-1/2	57	9-1/2	15-1/2

① Use washers with 1/2" bolts.

Series B Dimensions

35° Troughing Training Idler — Equal Length Rolls

Positive Arm Type — Belt Travel One Direction Only



Dimensions (in) — Average Weight (lb)

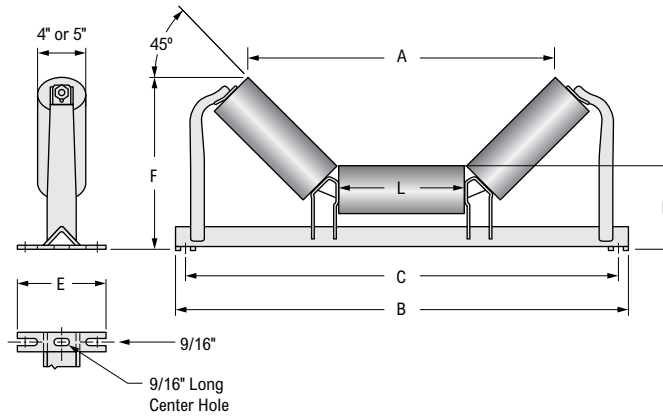
Belt Width	4" Roll					5" Roll					B	C	E	L
	Product Number	A	F	H	Idler Weight	Product Number	A	F	H	Idler Weight				
18	18-DB4312-02	18-15/16	11-7/16	7-1/2	79	18-DB5312-02	18-3/8	11-7/8	8	82	29	27	11	
20	20-DB4312-02	21-1/4	12	7-1/2	82	20-DB5312-02	20-11/16	12-7/16	8	85	31	29	11	
24	24-DB4312-02	24-11/16	12-3/4	7-1/2	87	24-DB5312-02	24-1/8	13-1/8	8	91	35	33	11	
30	30-DB4312-02	30-1/2	14	7-1/2	95	30-DB5312-02	29-7/8	14-7/16	8	100	41	39	11	
36	36-DB4312-02	36-1/8	15-3/16	7-1/2	103	36-DB5312-02	35-1/2	15-5/8	8	108	47	45	11	
42	42-DB4312-02	41-7/8	16-15/16	8	120	42-DB5312-02	41-1/4	17-3/8	8-1/2	126	53	51	11	
48	48-DB4312-02	47-5/8	18-3/16	8	128	48-DB5312-02	47-1/16	18-5/8	8-1/2	135	59-1/2	57	11	

① Positive Arm.

② Approximate distance to the top of the center roll of other idlers.

Series B Dimensions

45° Troughing Idler — Equal Length Rolls

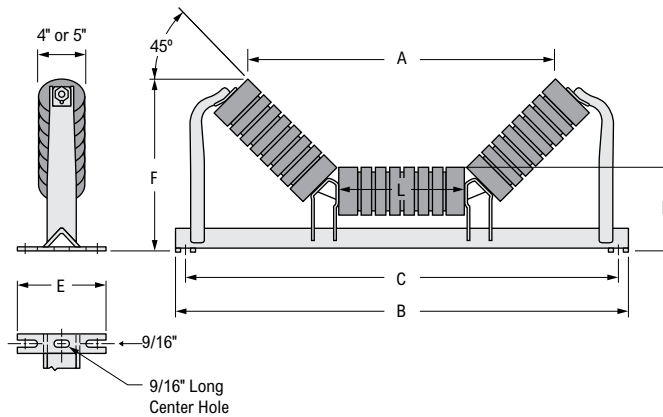


Dimensions (in) — Average Weight (lb)

Belt Width	4" Roll					5" Roll					B	C	E	L
	Product Number	A	F	H	Idler Weight	Product Number	A	F	H	Idler Weight				
18	18-DB4400-02	17-1/4	12-1/8	7	31	18-DB5400-02	16-9/16	12-7/16	7-1/2	34	29	27	11	6-3/4
20	20-DB4400-02	19-3/8	12-11/16	7	33	20-DB5400-02	18-11/16	13-1/16	7-1/2	36	31	29	11	7-5/8
24	24-DB4400-02	22-9/16	13-5/8	7	35	24-DB5400-02	21-7/8	13-15/16	7-1/2	40	35	33	11	8-15/16
30	30-DB4400-02	27-11/16	15-3/16	7	41	30-DB5400-02	27-1/8	15-9/16	7-1/2	46	41	39	11	11-1/8
36	36-DB4400-02	32-15/16	16-11/16	7	47	36-DB5400-02	32-1/4	17-1/16	7-1/2	53	47	45	11	13-1/4
42	42-DB4400-02	38-1/4	18-11/16	7-1/2	63	42-DB5400-02	37-9/16	19-1/16	8	69	53	51	11	15-7/16
48	48-DB4400-02	43-9/16	20-1/4	7-1/2	68	48-DB5400-02	42-13/16	20-5/8	8	75	59-1/2	57	11	17-5/8

① Use washers on 1/2-inch bolts.

45° Troughing Impact Idler — Equal Length Rolls



Dimensions (in) — Average Weight (lb)

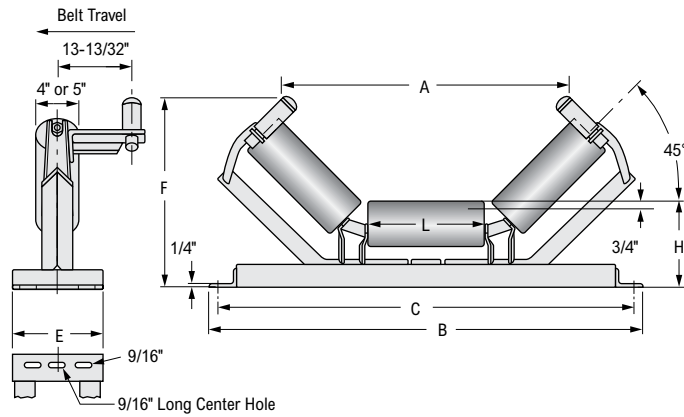
Belt Width	4" Roll					5" Roll					B	C	E	L
	Product Number	A	F	H	Idler Weight	Product Number	A	F	H	Idler Weight				
18	18-DB4402-02	15-3/4	11-3/8	7	39	18-DB5402-02	15-1/16	11-11/16	7-1/2	45	29	27	8	4-5/8
20	20-DB4402-02	17-7/8	11-15/16	7	43	20-DB5402-02	17-3/16	12-5/16	7-1/2	51	31	29	8	5-1/2
24	24-DB4402-02	21-1/16	12-7/8	7	49	24-DB5402-02	20-3/8	13-3/16	7-1/2	58	35	33	8	6-13/16
30	30-DB4402-02	26-3/16	14-7/16	7	58	30-DB5402-02	25-5/8	14-13/16	7-1/2	68	41	39	8	9
36	36-DB4402-02	31-7/16	15-15/16	7	70	36-DB5402-02	30-3/4	16-5/16	7-1/2	81	47	45	8	11-1/8
42	42-DB4402-02	36-3/4	17-15/16	7-1/2	90	42-DB5402-02	36-1/16	18-5/16	8	103	53-1/2	51	9-1/2	13-5/16
48	48-DB4402-02	42-1/16	19-1/2	7-1/2	102	48-DB5402-02	41-5/16	19-7/8	8	117	59-1/2	57	9-1/2	15-1/2

① Use washers on 1/2-inch bolts.

Series B Dimensions

45° Troughing Training Idler — Equal Length Rolls

Positive Arm Type — Belt Travel One Direction Only



Dimensions (in) — Average Weight (lb)

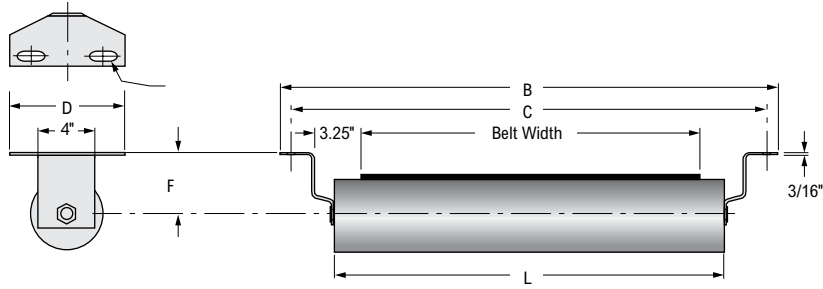
Belt Width	4" Roll					5" Roll					B	C	E	L
	Product Number	A	F	H	Idler Weight	Product Number	A	F	H	Idler Weight				
18	18-DB4412-02	17-1/4	12-5/8	7-1/2	81	18-DB5412-02	16-9/16	12-15/16	8	85	29	27	11	6-3/4
20	20-DB4412-02	19-3/8	13-3/16	7-1/2	84	20-DB5412-02	18-11/16	13-9/16	8	88	31	29	11	7-5/8
24	24-DB4412-02	22-9/16	14-1/8	7-1/2	89	24-DB5412-02	21-7/8	14-7/16	8	94	35	33	11	8-15/16
30	30-DB4412-02	27-11/16	15-11/16	7-1/2	97	30-DB5412-02	27-1/8	16-1/16	8	103	41	39	11	11-1/8
36	36-DB4412-02	32-15/16	17-3/16	7-1/2	105	36-DB5412-02	32-1/4	17-9/16	8	111	47	45	11	13-1/4
42	42-DB4412-02	38-1/4	19-3/16	8	121	42-DB5412-02	37-9/16	19-9/16	8-1/2	128	53	51	11	15-7/16
48	48-DB4412-02	43-9/16	20-3/4	8	130	48-DB5412-02	42-13/16	21-1/8	8-1/2	138	59-1/2	57	11	17-5/8

- ① Use washers on 1/2-inch bolts.
- ② Approximate distance to the top of the center roll of other idlers.
- ③ 0.31" to 0.72" belt width.

Series B Dimensions

Return Idler

B rolls can be furnished in polyethylene.



Dimensions (in) — Average Weight (lb)

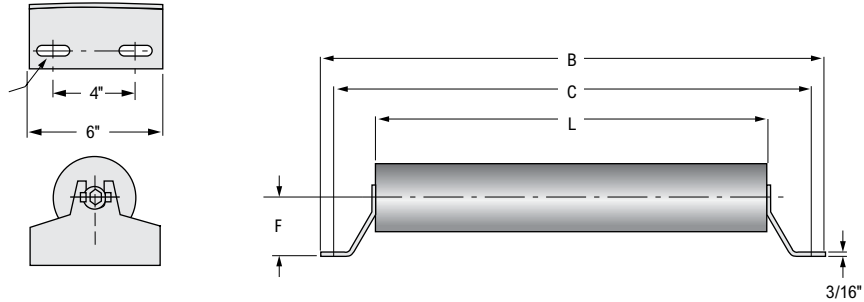
Belt Width	4" Roll			5" Roll			B	C	F = 1-1/2 D	F = 4-1/2 D	L
		F = 1-1/2	F = 4-1/2		F = 1-1/2	F = 4-1/2					
	Product Number	Idler Weight	Idler Weight	Product Number	Idler Weight	Idler Weight					
18	18-DB4040-02	15	16	18-DB5040-02	18	19	29	27	6	8	21-3/8
20	20-DB4040-02	16	17	20-DB5040-02	19	20	31	29	6	8	23-3/8
24	24-DB4040-02	18	19	24-DB5040-02	22	23	35	33	6	8	27-3/8
30	30-DB4040-02	21	22	30-DB5040-02	25	26	41	39	6	8	33-3/8
36	36-DB4040-02	24	25	36-DB5040-02	29	30	47	45	6	8	39-3/8
42	42-DB4040-02	27	28	42-DB5040-02	32	33	53	51	6	8	45-3/8
48	48-DB4040-02	30	31	48-DB5040-02	36	37	59	57	6	8	51-3/8

① 1/2" or 5/8" bolt dia.

② Also available with 11-3/4" and 16-1/2" drop.

Flat Idler

B rolls can be furnished in polyethylene.



Dimensions (in) — Average Weight (lb)

Belt Width	4" Roll			5" Roll			B	C	L
		F = 1-1/2	F = 4-1/2		F = 1-1/2	F = 4-1/2			
	Product Number	Idler Weight	Idler Weight	Product Number	Idler Weight	Idler Weight			
18	18-DB4020-02	18	19	18-DB5020-02	20	21	29	27	21-3/8
20	20-DB4020-02	19	20	20-DB5020-02	22	23	31	29	23-3/8
24	24-DB4020-02	21	22	24-DB5020-02	24	25	35	33	27-3/8
30	30-DB4020-02	24	25	30-DB5020-02	28	29	41	39	33-3/8
36	36-DB4020-02	27	28	36-DB5020-02	31	32	47	45	39-3/8
42	42-DB4020-02	30	31	42-DB5020-02	35	36	53	51	45-3/8
48	48-DB4020-02	33	34	48-DB5020-02	38	39	59	57	51-3/8

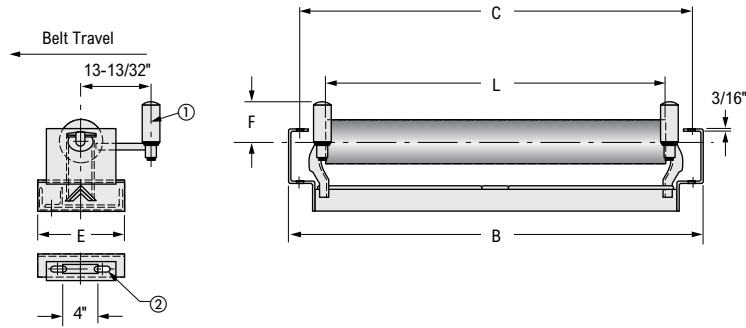
① 1/2" or 3/8" bolt.

Series B Dimensions

Return Training Idler

Positive Arm Type — Belt Travel One Direction Only

This trainer can be furnished with rubber discs.



Dimensions (in) — Average Weight (lb)

Belt Width	4" Roll			5" Roll			B	C	E	L
	Product Number	F = 1-1/2	F = 4-1/2	Product Number	F = 1-1/2	F = 4-1/2				
		Idler Weight	Idler Weight		Idler Weight	Idler Weight				
18	18-DB4052-02	85	86	18-DB5052-02	85	89	29	27	11	21-3/8
20	20-DB4052-02	85	88	20-DB5052-02	88	91	31	29	11	23-3/8
24	24-DB4052-02	90	93	24-DB5052-02	94	97	35	33	11	27-3/8
30	30-DB4052-02	98	101	30-DB5052-02	102	105	41	39	11	33-3/8
36	36-DB4052-02	105	109	36-DB5052-02	110	114	47	45	11	39-3/8
42	42-DB4052-02	119	122	42-DB5052-02	125	128	53	51	11	45-3/8
48	48-DB4052-02	127	130	48-DB5052-02	134	137	59	57	11	51-3/8

① Positive Arm.

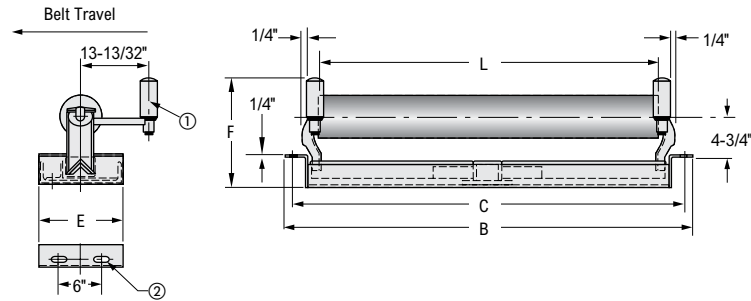
② 1/2" or 5/8" bolt dia.

Series B Dimensions

Flat Training Idler

Positive Arm Type — Belt Travel One Direction Only

This trainer can be furnished with rubber discs.



Dimensions (in) — Average Weight (lb)

Belt Width	4" Roll		5" Roll		B	C	E	F	L
	Product Number	Idler Weight	Product Number	Idler Weight					
18	18-DB4031-02	69	18-DB5031-02	72	29	27	11	12-1/5	21-3/8
20	20-DB4031-02	72	20-DB5031-02	75	31	29	11	12-1/5	23-3/8
24	24-DB4031-02	77	24-DB5031-02	81	35	33	11	12-1/5	27-3/8
30	30-DB4031-02	85	30-DB5031-02	89	41	39	11	12-1/5	33-3/8
36	36-DB4031-02	92	36-DB5031-02	98	47	45	11	12-1/5	39-3/8
42	42-DB4031-02	106	42-DB5031-02	112	53	51	11	12-1/5	45-3/8
48	48-DB4031-02	114	48-DB5031-02	121	59	57	11	12-1/5	51-3/8

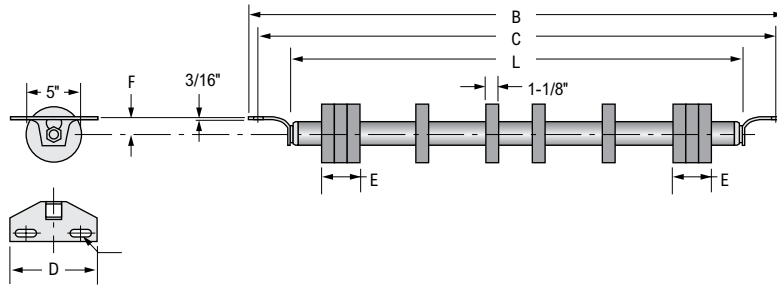
① Positive Arm.

② 1/2" or 5/8" bolt dia.

Series B Dimensions

Disc Return Idler

Rex Disc Return Idlers minimize belt misalignment which can cause damage to the belt, resulting from material buildup on the return idler rolls. Available in rubber discs.



Dimensions (in) — Average Weight (lb)

Belt Width	4" Roll			5" Roll			B	C	F = 1-1/2		E	L
	Product Number	Idler Weight	Idler Weight	Product Number	Idler Weight	Idler Weight			D			
		F = 1-1/2	F = 4-1/2		F = 1-1/2	F = 4-1/2			D	D		
18	18-DB4043-02	20	21	18-DB5043-02	24	25	29	27	6	8	5	20-1/4
20	20-DB4043-02	21	22	20-DB5043-02	25	26	31	29	6	8	5	22-1/4
24	24-DB4043-02	23	24	24-DB5043-02	28	29	35	33	6	8	5	26-1/4
30	30-DB4043-02	27	28	30-DB5043-02	32	33	41	39	6	8	5	32-1/4
36	36-DB4043-02	32	33	36-DB5043-02	36	37	47	45	6	8	5	38-1/4
42	42-DB4043-02	34	35	42-DB5043-02	40	41	53	51	6	8	5	44-1/4
48	48-DB4043-02	38	39	48-DB5043-02	44	45	59	57	6	8	5	50-1/4

① 1/2" or 5/8" bolt dia.

② Also available with a 11-3/4" or 16-1/2" drop.

Series C RexDura Idlers

Series C — CEMA C Factory-Sealed

20°, 35° and 45° Trough — 5" and 6" Roll Diameter

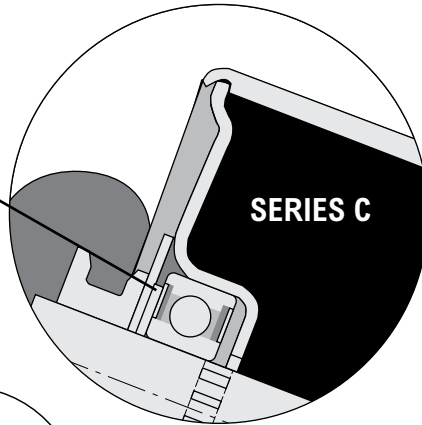
4" Roll Diameter also available

The complete line of RexDura Series C Idlers offer low initial and maintenance costs, extra dependability for moderate to heavy-duty applications.

Factory-Sealed Idlers

Sealed-for-life with a rugged seal. Metal and polymeric covers protect the sealed bearing for longer life ...

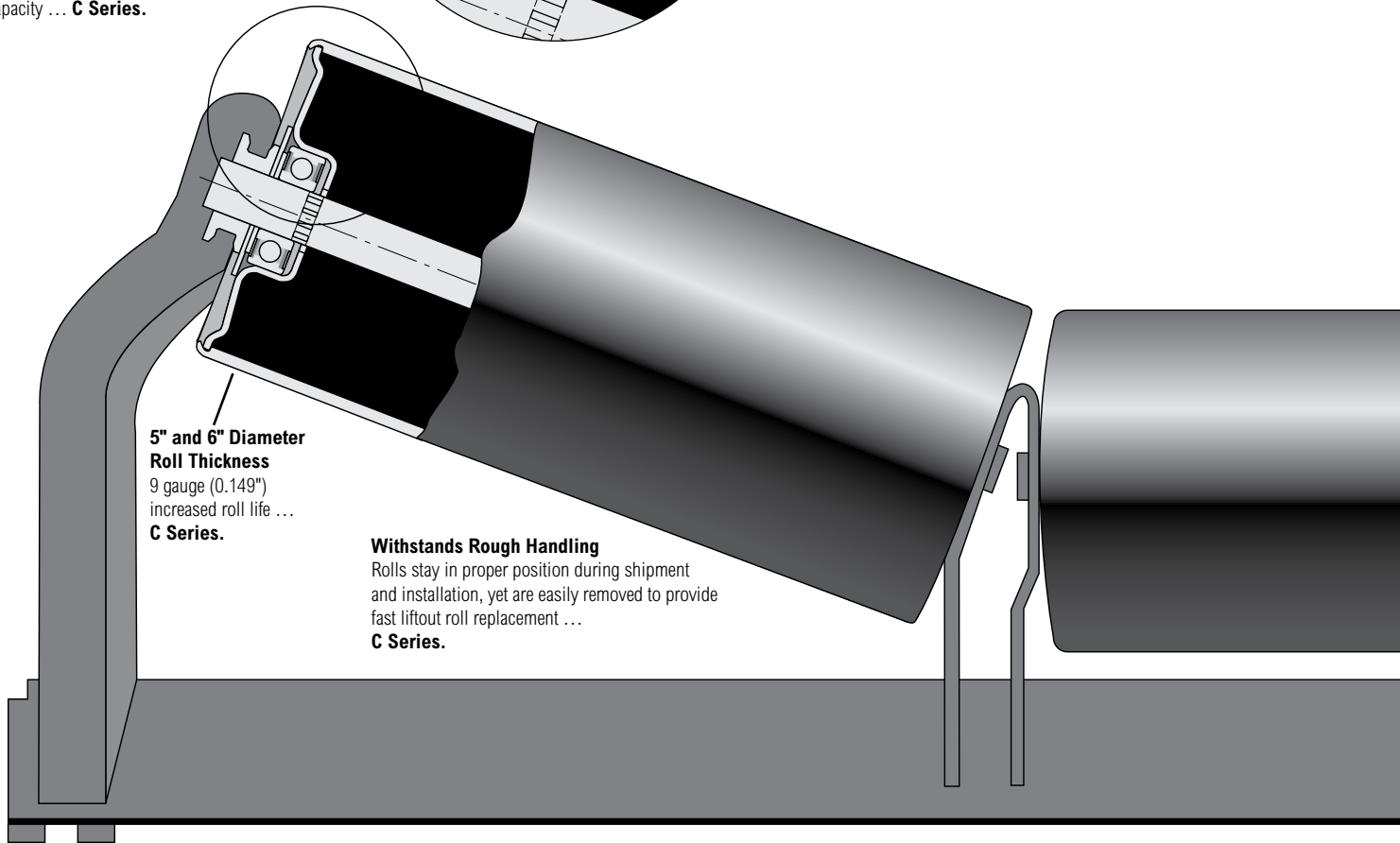
C Series.



Longer Idler Life

Rugged ball bearings and shafts provide ample load-carrying capacity ...

C Series.



5" and 6" Diameter Roll Thickness

9 gauge (0.149") increased roll life ...

C Series.

Withstands Rough Handling

Rolls stay in proper position during shipment and installation, yet are easily removed to provide fast liftout roll replacement ...

C Series.

Interchangeability

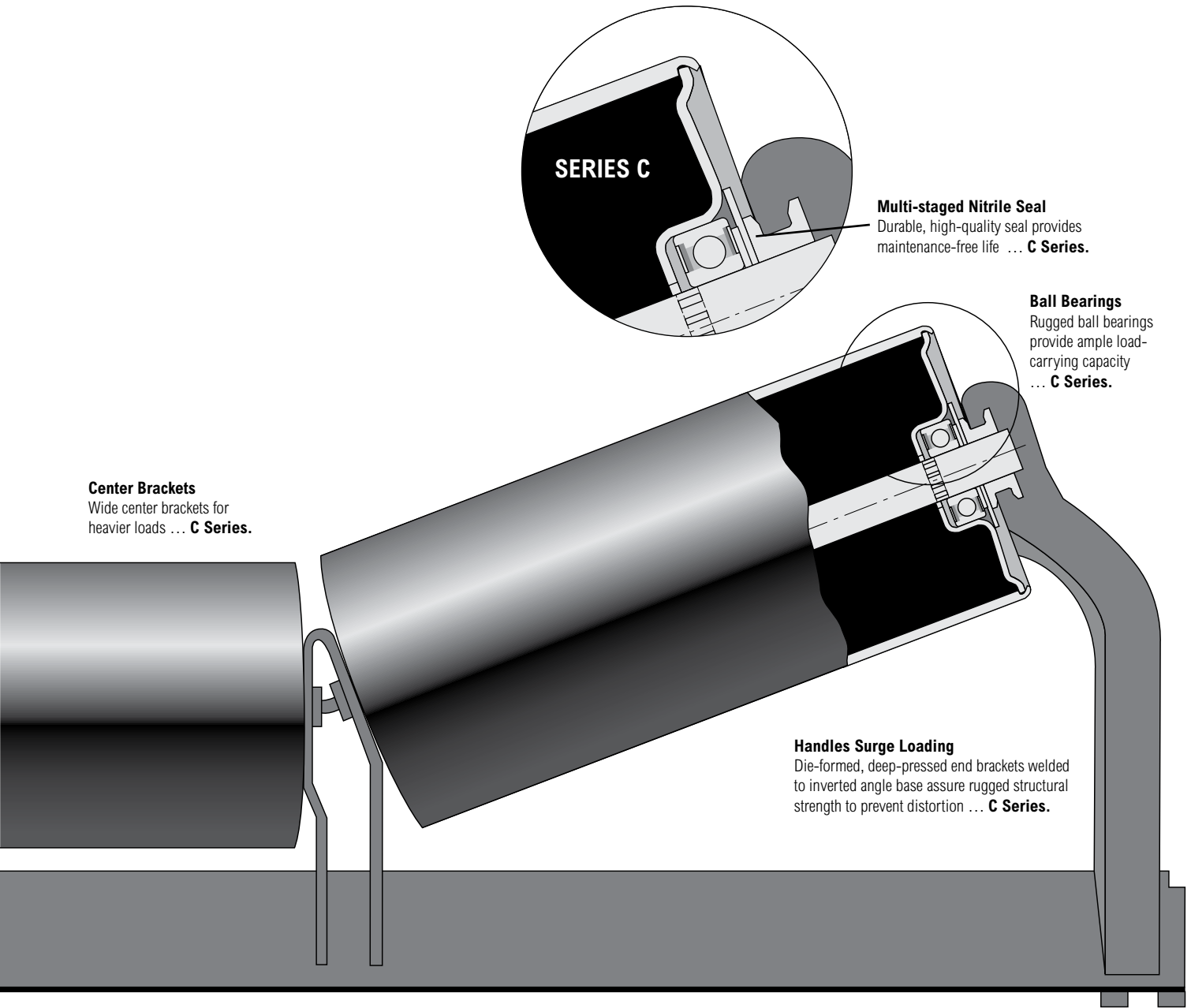
... built to fit existing conveyor frame without cutting or fitting. Conforms to CEMA C dimensions ...

C Series.

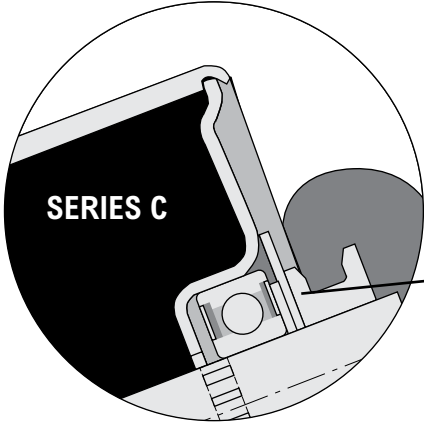
Self-Cleaning Base

Inverted angle base prevents buildup of spillage ... eliminates possible jamming of idler rolls ...

C Series.



Center Brackets
Wide center brackets for heavier loads ... **C Series.**



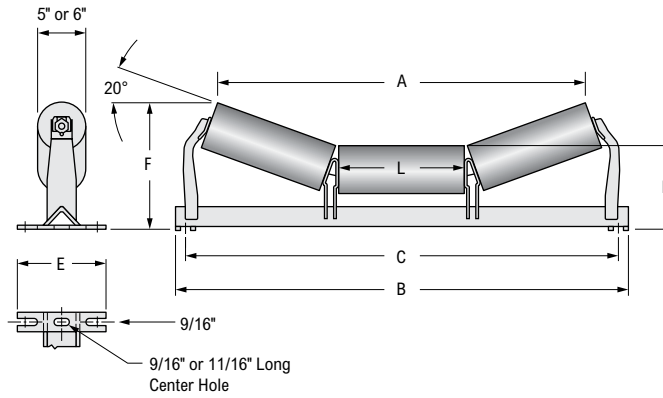
Multi-staged Nitrile Seal
Durable, high-quality seal provides maintenance-free life ... **C Series.**

Ball Bearings
Rugged ball bearings provide ample load-carrying capacity ... **C Series.**

Handles Surge Loading
Die-formed, deep-pressed end brackets welded to inverted angle base assure rugged structural strength to prevent distortion ... **C Series.**

Series C Dimensions

20° Troughing Idler — Equal Length Rolls

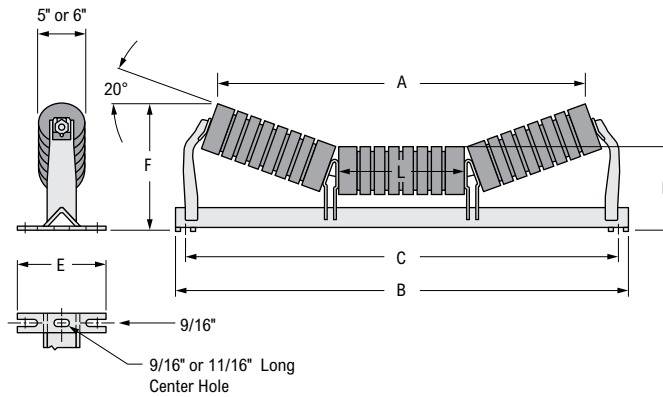


Dimensions (in) — Average Weight (lb)

Belt Width	Product Number	5" Roll				6" Roll				B	C	E	L	
		A	F	H	Idler Weight	Product Number	A	F	H					Idler Weight
18	18-DC5200-02	20-11/16	10-15/16	8-1/2	39	18-DC6200-02	20-3/8	11-3/8	9	45	29	27	8	6-3/4
20	20-DC5200-02	23-1/4	11-1/4	8-1/2	42	20-DC6200-02	22-7/8	11-11/16	9	49	31	29	8	7-5/8
24	24-DC5200-02	27-1/16	11-11/16	8-1/2	46	24-DC6200-02	26-11/16	12-1/8	9	54	35	33	8	8-15/16
30	30-DC5200-02	33-3/8	12-9/16	8-5/8	55	30-DC6200-02	32-15/16	13-1/16	9-1/8	64	41-1/2	39	9-1/2	11-1/8
36	36-DC5200-02	39-7/16	13-5/16	8-5/8	64	36-DC6200-02	39-1/8	13-3/4	9-1/8	74	47-1/2	45	9-1/2	13-1/4
42	42-DC5200-02	45-3/4	14-7/16	9	81	42-DC6200-02	45-7/16	14-7/8	9-1/2	92	53-1/2	51	9-1/2	15-7/16
48	48-DC5200-02	52-1/16	15-3/16	9	89	48-DC6200-02	51-3/4	15-5/8	9-1/2	102	59-1/2	57	9-1/2	17-5/8
54	54-DC5200-02	58-3/16	15-7/8	9	99	54-DC6200-02	57-13/16	16-3/8	9-1/2	112	65-1/2	63	10-15/16	19-3/4
60	60-DC5200-02	63-7/8	16-9/16	9	106	60-DC6200-02	63-9/16	17	9-1/2	121	71-1/2	69	10-15/16	21-3/4

① Use washers on 1/2-inch bolts.

20° Troughing Impact Idler — Equal Length Rolls



Dimensions (in) — Average Weight (lb)

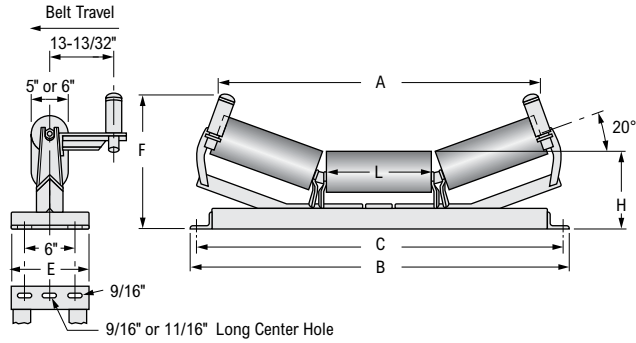
Belt Width	Product Number	5" Roll				6" Roll				B	C	E	L	
		A	F	H	Idler Weight	Product Number	A	F	H					Idler Weight
18	18-DC5202-02	19-1/4	10-3/16	8-1/2	45	18-DC6202-02	18-15/16	11-1/8	9	51	29	27	8	5-1/4
20	20-DC5202-02	21-13/16	10-1/2	8-1/2	48	20-DC6202-02	21-7/16	11-7/16	9	54	31	29	8	6-1/8
24	24-DC5202-02	25-5/8	10-15/16	8-1/2	54	24-DC6202-02	25-1/4	11-7/8	9	61	35	33	8	7-7/16
30	30-DC5202-02	31-15/16	11-7/8	8-5/8	66	30-DC6202-02	31-1/2	12-3/4	9-1/8	75	41-1/2	39	9-1/2	9-5/8
36	36-DC5202-02	38	12-9/16	8-5/8	78	36-DC6202-02	37-11/16	13-1/2	9-1/8	90	47-1/2	45	9-1/2	11-3/4
42	42-DC5202-02	44-5/16	13-11/16	9	99	42-DC6202-02	44	14-5/8	9-1/2	113	53-1/2	51	9-1/2	13-15/16
48	48-DC5202-02	50-5/8	14-7/16	9	109	48-DC6202-02	50-1/4	15-3/8	9-1/2	122	59-1/2	57	9-1/2	16-1/8
54	54-DC5202-02	56-3/4	15-3/16	9	122	54-DC6202-02	56-3/8	16-1/8	9-1/2	139	65-1/2	63	10-15/16	18-1/4
60	60-DC5202-02	62-7/16	15-13/16	9	133	60-DC6202-02	62-1/8	16-3/4	9-1/2	153	71-1/2	69	10-15/16	20-1/4

① Use washers on 1/2-inch bolts.

Series C Dimensions

20° Troughing Training Idler — Equal Length Rolls

Positive Arm Type — Belt Travel One Direction Only



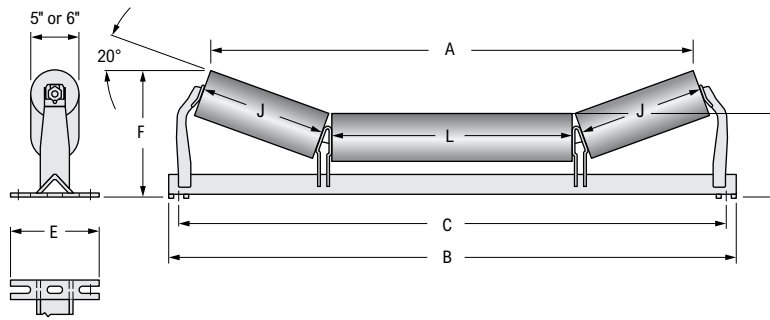
Dimensions (in) — Average Weight (lb)

Belt Width	5" Roll					6" Roll					B	C	E	L
	Product Number	A	F	H	Idler Weight	Product Number	A	F	H	Idler Weight				
18	18-DC5212-02	20-11/16	11-7/16	9	94	18-DC6212-02	20-3/8	11-7/8	9-1/2	102	29	27	11	6-3/4
20	20-DC5212-02	23-1/4	11-3/4	9	98	20-DC6212-02	22-7/8	12-3/16	9-1/2	107	31	29	11	7-5/8
24	24-DC5212-02	27-1/16	12-3/16	9	105	24-DC6212-02	26-11/16	12-5/8	9-1/2	115	35	33	11	8-15/16
30	30-DC5212-02	33-3/8	12-15/16	9	116	30-DC6212-02	32-15/16	13-7/16	9-1/2	127	41	39	11	11-1/8
36	36-DC5212-02	39-7/16	13-11/16	9	127	36-DC6212-02	39-1/8	14-1/8	9-1/2	140	47	45	11	13-1/4
42	42-DC5212-02	45-3/4	14-15/16	9-1/2	155	42-DC6212-02	45-7/16	15-3/8	10	169	53	51	11	15-7/16
48	48-DC5212-02	52-1/16	15-11/16	9-1/2	169	48-DC6212-02	51-3/4	16-1/8	10	184	59	57	11	17-5/8
54	54-DC5212-02	58-3/16	16-3/8	9-1/2	182	54-DC6212-02	57-13/16	16-7/8	10	199	65	63	11	19-3/4
60	60-DC5212-02	63-7/8	17-1/16	9-1/2	194	60-DC6212-02	63-9/16	17-1/2	10	213	71	69	11	21-3/4

① Use washers on 1/2-inch bolts.

Series C Dimensions

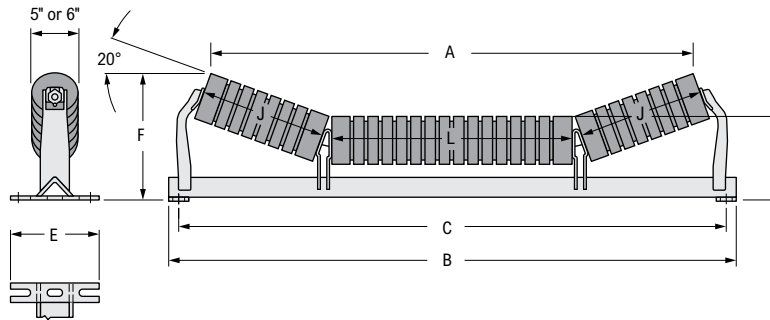
20° Troughing Idler — Unequal Length Rolls



Dimensions (in) — Average Weight (lb)

Belt Width	5" Roll					6" Roll					B	C	E	J	L
	Product Number	A	F	H	Idler Weight	Product Number	A	F	H	Idler Weight					
24	24-DC5201-02	27	10-5/8	8-5/8	46	24-DC6201-02	26-11/16	11-1/16	9-1/8	53	35-1/2	33	9-1/2	5-7/16	15-7/16
30	30-DC5201-02	32-15/16	10-5/8	8-5/8	54	30-DC6201-02	32-9/16	11-1/16	9-1/8	62	41-1/2	39	9-1/2	5-7/16	21-3/8
36	36-DC5201-02	38-7/8	10-5/8	8-5/8	62	36-DC6201-02	38-9/16	11-1/16	9-1/8	71	47-1/2	45	9-1/2	5-7/16	27-3/8
42	42-DC5201-02	44-7/8	11	9	77	42-DC6201-02	44-9/16	11-7/16	9-1/2	87	53-1/2	51	9-1/2	5-7/16	33-3/8
48	48-DC5201-02	50-7/8	11	9	84	48-DC6201-02	50-9/16	11-7/16	9-1/2	96	59-1/2	57	9-1/2	5-7/16	39-3/8
54	54-DC5201-02	56-7/8	11	9	92	54-DC6201-02	56-9/16	11-7/16	9-1/2	105	65-1/2	63	10-15/16	5-7/16	45-3/8
60	60-DC5201-02	62-7/8	11	9	100	60-DC6201-02	62-9/16	11-7/16	9-1/2	114	71-1/2	69	10-15/16	5-7/16	51-3/8

20° Troughing Impact Idler — Unequal Length Rolls

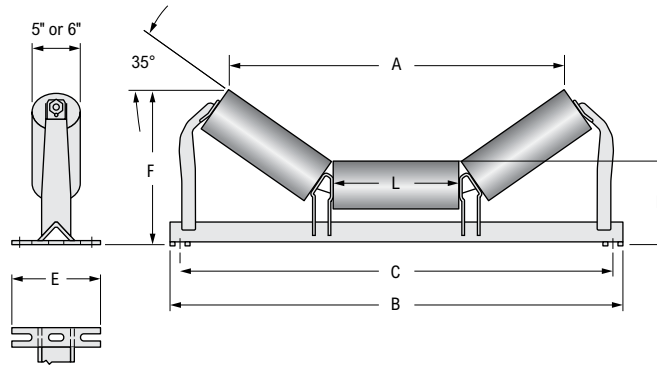


Dimensions (in) — Average Weight (lb)

Belt Width	5" Roll					6" Roll					B	C	E	J	L
	Product Number	A	F	H	Idler Weight	Product Number	A	F	H	Idler Weight					
24	24-DC5203-02	25-9/16	10-3/8	8-5/8	56	24-DC6203-02	25-1/4	10-13/16	9-1/8	64	35-1/2	33	9-1/2	3-15/16	13-15/16
30	30-DC5203-02	31-1/2	10-3/8	8-5/8	70	30-DC6203-02	31-1/8	10-13/16	9-1/8	78	41-1/2	39	9-1/2	3-15/16	19-7/8
36	36-DC5203-02	37-7/16	10-3/8	8-5/8	80	36-DC6203-02	37-1/8	10-13/16	9-1/8	91	47-1/2	45	9-1/2	3-15/16	25-7/8
42	42-DC5203-02	43-7/16	10-3/4	9	99	42-DC6203-02	43-1/8	11-3/16	9-1/2	111	53-1/2	51	9-1/2	3-15/16	31-7/8
48	48-DC5203-02	49-7/16	10-3/4	9	109	48-DC6203-02	49-1/8	11-3/16	9-1/2	122	59-1/2	57	9-1/2	3-15/16	37-7/8
54	54-DC5203-02	55-7/16	10-3/4	9	122	54-DC6203-02	55-1/8	11-3/16	9-1/2	137	65-1/2	63	10-15/16	3-15/16	43-7/8
60	60-DC5203-02	61-7/16	10-3/4	9	134	60-DC6203-02	61-1/8	11-3/16	9-1/2	150	71-1/2	69	10-15/16	3-15/16	49-7/8

Series C Dimensions

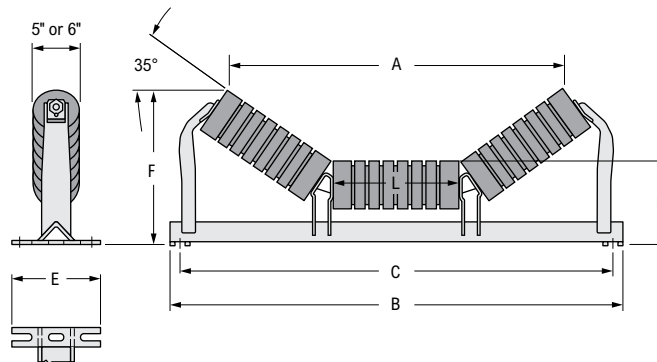
35° Troughing Idler — Equal Length Rolls



Dimensions (in) — Average Weight (lb)

Belt Width	5" Roll					6" Roll					B	C	E	L
	Product Number	A	F	H	Idler Weight	Product Number	A	F	H	Idler Weight				
18	18-DC5300-02	18-13/16	12-9/16	8-1/2	40	18-DC6300-02	18-1/4	13-1/16	9	46	29	27	8	6-3/4
20	20-DC5300-02	21-1/8	13-1/16	8-1/2	43	20-DC6300-02	20-9/16	13-1/2	9	50	31	29	8	7-5/8
24	24-DC5300-02	24-9/16	13-13/16	8-1/2	48	24-DC6300-02	24-1/16	14-1/4	9	55	35	33	8	8-15/16
30	30-DC5300-02	30-3/8	15-3/16	8-5/8	57	30-DC6300-02	29-13/16	15-11/16	9-1/8	66	41-1/2	39	9-1/2	11-1/8
36	36-DC5300-02	35-15/16	16-3/8	8-5/8	66	36-DC6300-02	35-7/16	16-13/16	9-1/8	75	47-1/2	45	9-1/2	13-1/4
42	42-DC5300-02	41-3/4	18-1/16	9	84	42-DC6300-02	41-3/16	18-7/16	9-1/2	95	53-1/2	51	9-1/2	15-7/16
48	48-DC5300-02	47-1/2	19-5/16	9	92	48-DC6300-02	46-15/16	19-11/16	9-1/2	104	59-1/2	57	9-1/2	17-5/8
54	54-DC5300-02	53-1/8	20-1/2	9	106	54-DC6300-02	52-9/16	20-15/16	9-1/2	120	65-1/2	63	10-15/16	19-3/4
60	60-DC5300-02	58-3/8	21-11/16	9	113	60-DC6300-02	57-7/8	22-1/16	9-1/2	128	71-1/2	69	10-15/16	21-3/4

35° Troughing Impact Idler — Equal Length Rolls



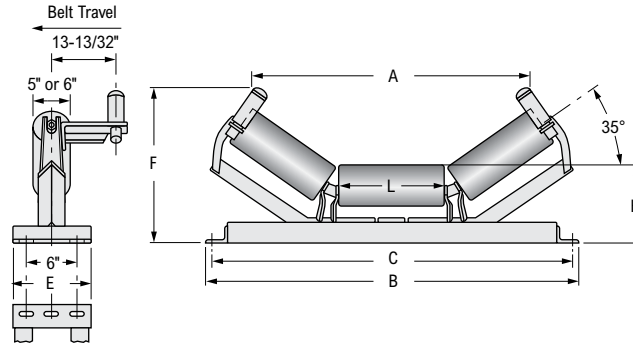
Dimensions (in) — Average Weight (lb)

Belt Width	5" Roll					6" Roll					B	C	E	L
	Product Number	A	F	H	Idler Weight	Product Number	A	F	H	Idler Weight				
18	18-DC5302-02	17-9/16	12-1/8	8-1/2	47	18-DC6302-02	17	12-5/8	9	53	29	27	8	5-1/4
20	20-DC5302-02	19-7/8	12-5/8	8-1/2	50	20-DC6302-02	19-5/16	13-1/16	9	56	31	29	8	6-1/8
24	24-DC5302-02	23-5/16	13-3/8	8-1/2	56	24-DC6302-02	22-13/16	13-13/16	9	63	35	33	8	7-7/16
30	30-DC5302-02	29-1/8	14-3/4	8-5/8	68	30-DC6302-02	28-9/16	15-1/4	9-1/8	78	41-1/2	39	9-1/2	9-5/8
36	36-DC5302-02	34-11/16	15-15/16	8-5/8	80	36-DC6302-02	34-3/16	16-3/8	9-1/8	92	47-1/2	45	9-1/2	11-3/4
42	42-DC5302-02	40-1/2	17-5/8	9	102	42-DC6302-02	39-15/16	18	9-1/2	116	53-1/2	51	9-1/2	13-15/16
48	48-DC5302-02	46-1/4	18-7/8	9	112	48-DC6302-02	45-11/16	19-1/4	9-1/2	125	59-1/2	57	9-1/2	16-1/8
54	54-DC5302-02	51-7/8	20-1/16	9	129	54-DC6302-02	51-5/16	20-1/2	9-1/2	147	65-1/2	63	10-15/16	18-1/4
60	60-DC5302-02	57-1/8	21-1/4	9	140	60-DC6302-02	56-5/8	21-5/8	9-1/2	160	71-1/2	69	10-15/16	20-1/4

Series C Dimensions

35° Troughing Training Idler — Equal Length Rolls

Positive Arm Type — Belt Travel One Direction Only

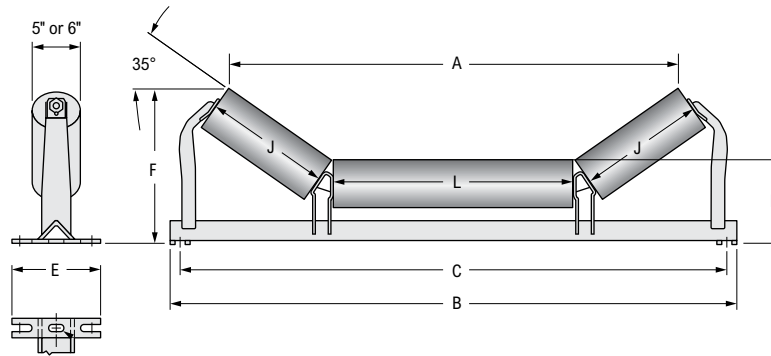


Dimensions (in) — Average Weight (lb)

Belt Width	5" Roll					6" Roll					B	C	E	L
	Product Number	A	F	H	Idler Weight	Product Number	A	F	H	Idler Weight				
18	18-DC5312-02	18-13/16	13-1/16	9	97	18-DC6312-02	18-1/4	13-9/16	9-1/2	106	29	27	11	6-3/4
20	20-DC5312-02	21-1/8	13-9/16	9	101	20-DC6312-02	20-9/16	14	9-1/2	111	31	29	11	7-5/8
24	24-DC5312-02	24-9/16	14-5/16	9	108	24-DC6312-02	24-1/16	14-3/4	9-1/2	118	35	33	11	8-15/16
30	30-DC5312-02	30-3/8	15-9/16	9	119	30-DC6312-02	29-13/16	16-1/16	9-1/2	131	41	39	11	11-1/8
36	36-DC5312-02	35-15/16	16-3/4	9	130	36-DC6312-02	35-7/16	17-3/16	9-1/2	143	47	45	11	13-1/4
42	42-DC5312-02	41-3/4	18-9/16	9-1/2	159	42-DC6312-02	41-3/16	18-15/16	10	174	53	51	11	15-7/16
48	48-DC5312-02	47-1/2	19-13/16	9-1/2	173	48-DC6312-02	46-15/16	20-3/16	10	188	59	57	11	17-5/8
54	54-DC5312-02	53-1/8	21	9-1/2	186	54-DC6312-02	52-9/16	21-7/16	10	203	65	63	11	19-3/4
60	60-DC5312-02	58-3/8	22-3/16	9-1/2	198	60-DC6312-02	57-7/8	22-9/16	10	217	71	69	11	21-3/4

Series C Dimensions

35° Troughing Idler — Unequal Length Rolls

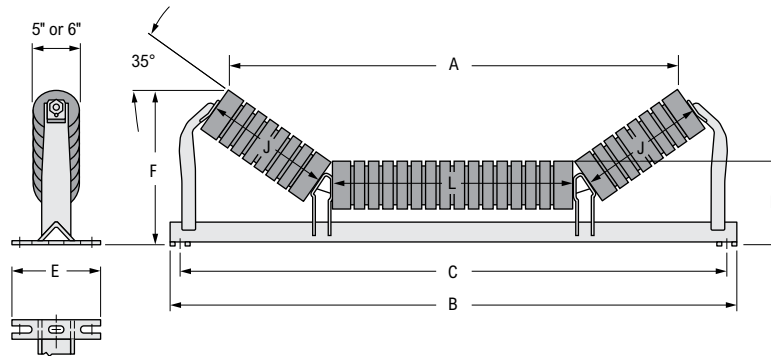


Dimensions (in) — Average Weight (lb)

Belt Width	5" Roll					6" Roll					B	C	E	J	L
	Product Number	A	F	H	Idler Weight	Product Number	A	F	H	Idler Weight					
24	24-DC5301-02	25-1/4	12-3/4	8-5/8	47	24-DC6301-02	24-3/4	13-3/16	9-1/8	55	35-1/2	33	9-1/2	6-3/4	13-1/4
30	30-DC5301-02	31-1/16	14	8-5/8	56	30-DC6301-02	30-1/2	14-3/8	9-1/8	65	41-1/2	39	9-1/2	8-15/16	15-7/16
36	36-DC5301-02	35-3/8	13-15/16	8-5/8	63	36-DC6301-02	34-7/8	14-5/16	9-1/8	72	47-1/2	45	9-1/2	8-15/16	19-3/4
42	42-DC5301-02	40-5/8	15-9/16	9	78	42-DC6301-02	40-1/16	15-15/16	9-1/2	89	53-1/2	51	9-1/2	11-1/8	21-3/8
48	48-DC5301-02	46-5/8	15-9/16	9	86	48-DC6301-02	46-1/16	15-15/16	9-1/2	97	59-1/2	57	9-1/2	11-1/8	27-3/8
54	54-DC5301-02	52-5/8	15-9/16	9	94	54-DC6301-02	52-1/16	15-15/16	9-1/2	107	65-1/2	63	10-15/16	11-1/8	33-3/8
60	60-DC5301-02	58-5/8	15-9/16	9	101	60-DC6301-02	58-1/16	15-15/16	9-1/2	115	71-1/2	69	10-15/16	11-1/8	39-3/8

NOTE: Contact Rexnord for load rating.

35° Troughing Impact Idler — Unequal Length Rolls



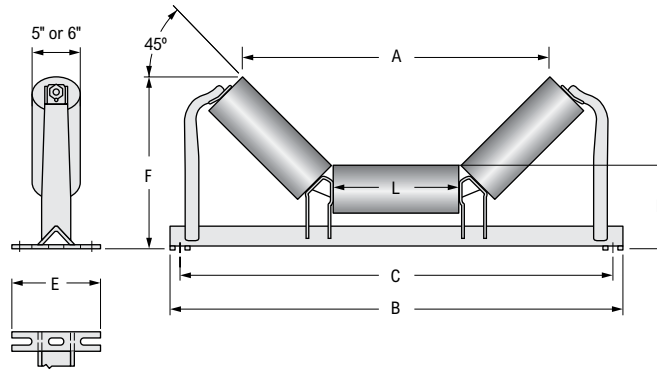
Dimensions (in) — Average Weight (lb)

Belt Width	5" Roll					6" Roll					B	C	E	J	L
	Product Number	A	F	H	Idler Weight	Product Number	A	F	H	Idler Weight					
24	24-DC5303-02	24	12-5/16	8-5/8	56	24-DC6303-02	23-1/2	12-3/4	9-1/8	64	35-1/2	33	9-1/2	5-1/4	11-3/4
30	30-DC5303-02	29-13/16	13-9/16	8-5/8	67	30-DC6303-02	29-1/4	13-15/16	9-1/8	77	41-1/2	39	9-1/2	7-7/16	13-15/16
36	36-DC5303-02	34-1/8	13-1/2	8-5/8	77	36-DC6303-02	33-5/8	13-7/8	9-1/8	87	47-1/2	45	9-1/2	7-7/16	18-1/4
42	42-DC5303-02	39-3/8	15-1/8	9	99	42-DC6303-02	38-13/16	15-1/2	9-1/2	110	53-1/2	51	9-1/2	9-5/8	19-7/8
48	48-DC5303-02	45-3/8	15-1/8	9	110	48-DC6303-02	44-13/16	15-1/2	9-1/2	123	59-1/2	57	9-1/2	9-5/8	25-7/8
54	54-DC5303-02	51-3/8	15-1/8	9	122	54-DC6303-02	50-13/16	15-1/2	9-1/2	136	65-1/2	63	10-15/16	9-5/8	31-7/8
60	60-DC5303-02	57-3/8	15-1/8	9	133	60-DC6303-02	56-13/16	15-1/2	9-1/2	149	71-1/2	69	10-15/16	9-5/8	38-7/8

NOTE: Contact Rexnord for load rating.

Series C Dimensions

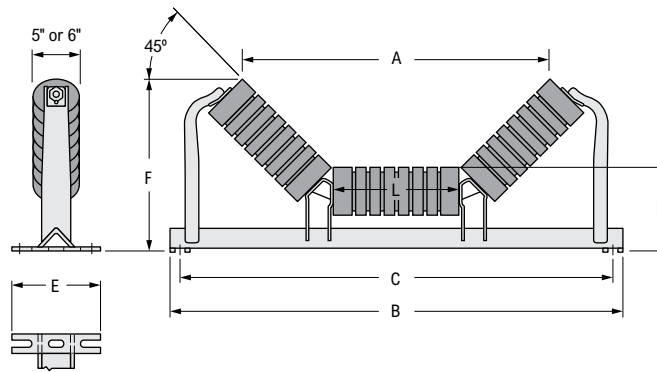
45° Troughing Idler — Equal Length Rolls



Dimensions (in) — Average Weight (lb)

Belt Width	5" Roll					6" Roll					B	C	E	L
	Product Number	A	F	H	Idler Weight	Product Number	A	F	H	Idler Weight				
18	18-DC5400-02	17-1/2	13-1/2	8-1/2	42	18-DC6400-02	16-13/16	13-7/8	9	48	29	27	8	6-3/4
20	20-DC5400-02	19-5/8	14-1/8	8-1/2	44	20-DC6400-02	18-15/16	14-1/2	9	51	31	29	8	7-5/8
24	24-DC5400-02	22-3/4	15-1/16	8-1/2	49	24-DC6400-02	22-1/8	15-3/8	9	57	35	33	8	8-15/16
30	30-DC5400-02	28-1/16	16-3/4	8-5/8	58	30-DC6400-02	27-3/8	17-1/16	9-1/8	67	41-1/2	39	9-1/2	11-1/8
36	36-DC5400-02	33-1/8	18-3/16	8-5/8	67	36-DC6400-02	32-5/16	18-9/16	9-1/8	77	47-1/2	45	9-1/2	13-1/4
42	42-DC5400-02	38-7/16	20-1/8	9	84	42-DC6400-02	37-11/16	20-1/2	9-1/2	95	53-1/2	51	9-1/2	15-7/16
48	48-DC5400-02	43-11/16	21-11/16	9	95	48-DC6400-02	43-1/16	22-1/16	9-1/2	108	59-1/2	57	9-1/2	17-5/8
54	54-DC5400-02	48-13/16	23-3/16	9	107	54-DC6400-02	48-1/16	23-9/16	9-1/2	121	65-1/2	63	10-15/16	19-3/4
60	60-DC5400-02	53-11/16	24-5/8	9	114	60-DC6400-02	53	24-15/16	9-1/2	129	71-1/2	69	10-15/16	21-3/4

45° Troughing Impact Idler — Equal Length Rolls



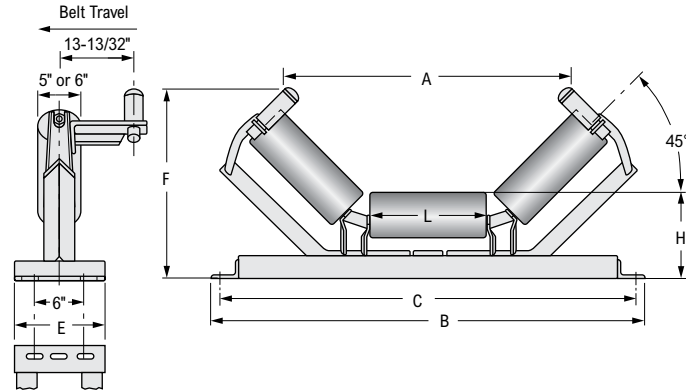
Dimensions (in) — Average Weight (lb)

Belt Width	5" Roll					6" Roll					B	C	E	L
	Product Number	A	F	H	Idler Weight	Product Number	A	F	H	Idler Weight				
18	18-DC5402-02	16-7/16	13	8-1/2	48	18-DC6402-02	15-3/4	13-3/8	9	54	29	27	8	5-1/4
20	20-DC5402-02	18-9/16	13-5/8	8-1/2	51	20-DC6402-02	17-7/8	14	9	57	31	29	8	6-1/8
24	24-DC5402-02	21-11/16	14-9/16	8-1/2	57	24-DC6402-02	21-1/16	14-7/8	9	64	35	33	8	7-7/16
30	30-DC5402-02	27	16-1/4	8-5/8	70	30-DC6402-02	26-5/16	16-5/8	9-1/8	79	41-1/2	39	9-1/2	9-5/8
36	36-DC5402-02	32-1/16	17-11/16	8-5/8	81	36-DC6402-02	31-1/4	18-1/16	9-1/8	93	47-1/2	45	9-1/2	11-3/4
42	42-DC5402-02	37-3/8	19-5/8	9	102	42-DC6402-02	36-5/8	20	9-1/2	115	53-1/2	51	9-1/2	13-15/16
48	48-DC5402-02	42-5/8	21-3/16	9	115	48-DC6402-02	42	21-9/16	9-1/2	128	59-1/2	57	9-1/2	16-1/8
54	54-DC5402-02	47-3/4	22-11/16	9	130	54-DC6402-02	47	23-1/16	9-1/2	148	65-1/2	63	10-15/16	18-1/4
60	60-DC5402-02	52-5/8	24-1/8	9	141	60-DC6402-02	51-15/16	24-7/16	9-1/2	160	71-1/2	69	10-15/16	20-1/4

Series C Dimensions

45° Troughing Training Idler — Equal Length Rolls

Positive Arm Type — Belt Travel One Direction Only

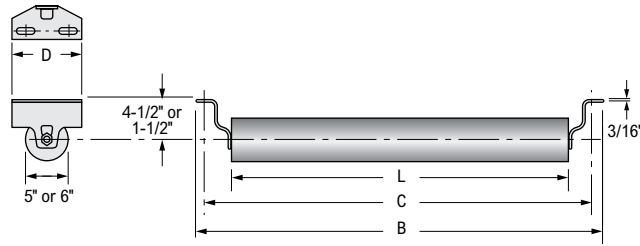


Dimensions (in) — Average Weight (lb)

Belt Width	5" Roll					6" Roll					B	C	E	L
	Product Number	A	F	H	Idler Weight	Product Number	A	F	H	Idler Weight				
18	18-DC5412-02	17-1/2	13-7/8	9	98	18-DC6412-02	16-13/16	14-3/8	9-1/2	106	29	27	11	6-3/4
20	20-DC5412-02	19-5/8	14-1/2	9	102	20-DC6412-02	18-15/16	15	9-1/2	111	31	29	11	7-5/8
24	24-DC5412-02	22-3/4	15-3/8	9	109	24-DC6412-02	22-1/8	15-7/8	9-1/2	119	35	33	11	8-15/16
30	30-DC5412-02	28-1/16	16-15/16	9	120	30-DC6412-02	27-3/8	17-1/2	9-1/2	131	41	39	11	11-1/8
36	36-DC5412-02	33-1/8	18-7/16	9	131	36-DC6412-02	32-5/16	18-15/16	9-1/2	143	47	45	11	13-1/4
42	42-DC5412-02	38-7/16	20-7/16	9-1/2	160	42-DC6412-02	37-11/16	21	10	175	53	51	11	15-7/16
48	48-DC5412-02	43-11/16	22	9-1/2	174	48-DC6412-02	43-1/16	22-9/16	10	189	59	57	11	17-5/8
54	54-DC5412-02	48-13/16	23-11/16	9-1/2	187	54-DC6412-02	48-1/16	24-1/16	10	204	65	63	11	19-3/4
60	60-DC5412-02	53-11/16	25-1/8	9-1/2	199	60-DC6412-02	53	25-7/16	10	218	71	69	11	21-3/4

Series C Dimensions

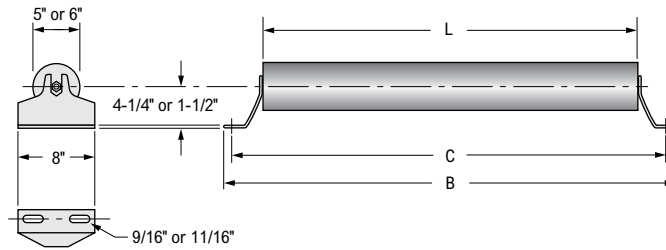
Return Steel Idler



Dimensions (in) — Average Weight (lb)

Belt Width	5" Roll		6" Roll		B	C	1-1/2" Drop	4-1/2" Drop	L
	Product Number	Idler Weight	Product Number	Idler Weight			D	D	
18	18-DC5040-02	23	18-DC6040-02	28	29	27	6	8	21-3/8
20	20-DC5040-02	25	20-DC6040-02	30	31	29	6	8	23-3/8
24	24-DC5040-02	28	24-DC6040-02	34	35	33	6	8	27-3/8
30	30-DC5040-02	32	30-DC6040-02	39	41	39	6	8	33-3/8
36	36-DC5040-02	37	36-DC6040-02	45	47	45	6	8	39-3/8
42	42-DC5040-02	41	42-DC6040-02	51	53	51	6	8	45-3/8
48	48-DC5040-02	46	48-DC6040-02	56	59	57	6	8	51-3/8
54	54-DC5040-02	50	54-DC6040-02	62	65	63	6	8	57-3/8
60	60-DC5040-02	55	60-DC6040-02	68	71	69	6	8	63-3/8

Flat Steel Idler

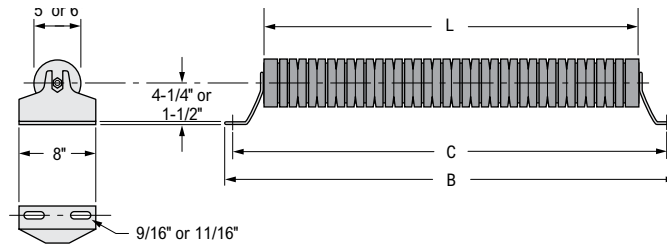


Dimensions (in) — Average Weight (lb)

Belt Width	5" Roll				6" Roll			B	C	L
	Product Number	1-1/2" Drop Idler Weight	4-1/2" Drop Idler Weight	Product Number	1-1/2" Drop Idler Weight	4-1/2" Drop Idler Weight				
18	18-DC5020-02	25	26	18-DC6020-02	30	31	29	27	21-3/8	
20	20-DC5020-02	26	27	20-DC6020-02	31	32	31	29	23-3/8	
24	24-DC5020-02	30	31	24-DC6020-02	35	36	35	33	27-3/8	
30	30-DC5020-02	34	35	30-DC6020-02	41	42	41	39	33-3/8	
36	36-DC5020-02	38	39	36-DC6020-02	47	48	47	45	39-3/8	
42	42-DC5020-02	43	44	42-DC6020-02	52	53	53	51	45-3/8	
48	48-DC5020-02	48	49	48-DC6020-02	58	59	59	57	51-3/8	
54	54-DC5020-02	52	53	54-DC6020-02	64	65	65	63	57-3/8	
60	60-DC5020-02	57	58	60-DC6020-02	69	70	71	69	63-3/8	

Series C Dimensions

Flat Rubber Idler



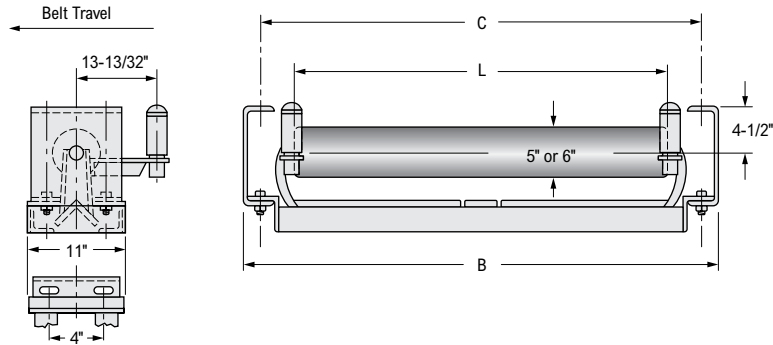
Dimensions (in) — Average Weight (lb)

Belt Width	Product Number	5" Roll		6" Roll			B	C	L
		1-1/2" Drop Idler Weight	4-1/2" Drop Idler Weight	Product Number	1-1/2" Drop Idler Weight	4-1/2" Drop Idler Weight			
18	18-DC5025-02	30	31	18-DC6025-02	36	37	29	27	19-7/8
20	20-DC5025-02	32	33	20-DC6025-02	37	38	31	29	21-7/8
24	24-DC5025-02	37	38	24-DC6025-02	44	45	35	33	25-7/8
30	30-DC5025-02	44	45	30-DC6025-02	52	53	41	39	31-7/8
36	36-DC5025-02	50	51	36-DC6025-02	60	61	47	45	37-7/8
42	42-DC5025-02	57	58	42-DC6025-02	68	69	53	51	43-7/8
48	48-DC5025-02	64	65	48-DC6025-02	77	78	59	57	49-7/8
54	54-DC5025-02	71	72	54-DC6025-02	85	86	65	63	55-7/8
60	60-DC5025-02	77	78	60-DC6025-02	87	88	71	69	61-7/8

Series C Dimensions

Return Training Idler

Positive Arm Type — Belt Travel One Direction Only

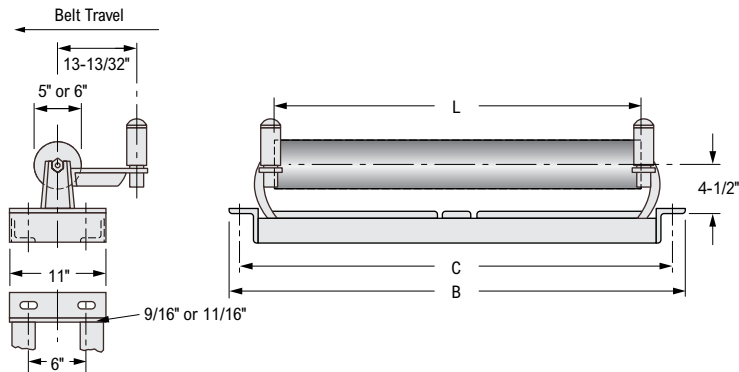


Dimensions (in) — Average Weight (lb)

Belt Width	5" Roll		6" Roll		B	C	L
	Product Number	Idler Weight	Product Number	Idler Weight			
18	18-DC5052-02	100	18-DC6052-02	106	29	27	21-3/8
20	20-DC5052-02	103	20-DC6052-02	110	31	29	23-3/8
24	24-DC5052-02	110	24-DC6052-02	117	35	33	27-3/8
30	30-DC5052-02	121	30-DC6052-02	129	41	39	33-3/8
36	36-DC5052-02	131	36-DC6052-02	141	47	45	39-3/8
42	42-DC5052-02	147	42-DC6052-02	159	53	51	45-3/8
48	48-DC5052-02	160	48-DC6052-02	172	59	57	51-3/8
54	54-DC5052-02	171	54-DC6052-02	185	65	63	57-3/8
60	60-DC5052-02	182	60-DC6052-02	197	71	69	63-3/8

Flat Training Idler

Positive Arm Type — Belt Travel One Direction Only



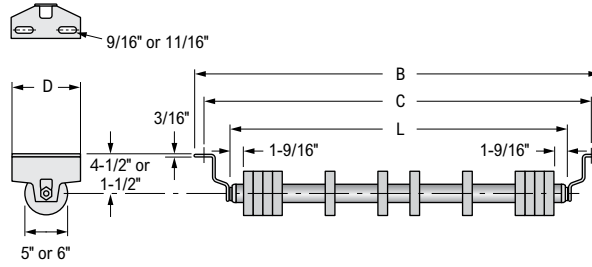
Dimensions (in) — Average Weight (lb)

Belt Width	5" Roll		6" Roll		B	C	L
	Product Number	Idler Weight	Product Number	Idler Weight			
18	18-DC5031-02	83	18-DC6031-02	89	29	27	21-3/8
20	20-DC5031-02	87	20-DC6031-02	93	31	29	23-3/8
24	24-DC5031-02	94	24-DC6031-02	101	35	33	27-3/8
30	30-DC5031-02	104	30-DC6031-02	113	41	39	33-3/8
36	36-DC5031-02	115	36-DC6031-02	125	47	45	39-3/8
42	42-DC5031-02	132	42-DC6031-02	143	53	51	45-3/8
48	48-DC5031-02	143	48-DC6031-02	156	59	57	51-3/8
54	54-DC5031-02	155	54-DC6031-02	169	65	63	57-3/8
60	60-DC5031-02	166	60-DC6031-02	181	71	69	63-3/8

Series C Dimensions

Disc Return Idler

Rex Disc Return Idlers minimize belt misalignment which can cause damage to the belt, resulting from material buildup on the return idler rolls. Available in rubber discs.



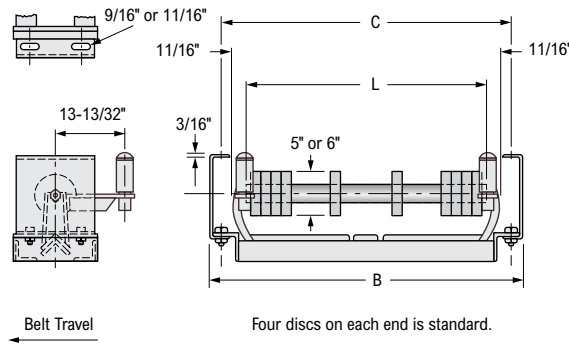
Four discs on each end is standard.

Dimensions (in) — Average Weight (lb)

Belt Width	5" Roll		6" Roll		B	C	1-1/2" Drop		L
	Product Number	Idler Weight	Product Number	Idler Weight			D	D	
18	18-DC5043-02	22	18-DC6043-02	27	29	27	6	8	20-7/8
20	20-DC5043-02	23	20-DC6043-02	27	31	29	6	8	22-7/8
24	24-DC5043-02	26	24-DC6043-02	30	35	33	6	8	26-7/8
30	30-DC5043-02	29	30-DC6043-02	34	41	39	6	8	32-7/8
36	36-DC5043-02	32	36-DC6043-02	38	47	45	6	8	38-7/8
42	42-DC5043-02	36	42-DC6043-02	42	53	51	6	8	44-7/8
48	48-DC5043-02	39	48-DC6043-02	45	59	57	6	8	50-7/8
54	54-DC5043-02	42	54-DC6043-02	49	65	63	6	8	56-7/8
60	60-DC5043-02	46	60-DC6043-02	53	71	69	6	8	62-7/8

Disc Return Training Idler

Positive Arm Type — Belt Travel One Direction Only



Four discs on each end is standard.

Dimensions (in) — Average Weight (lb)

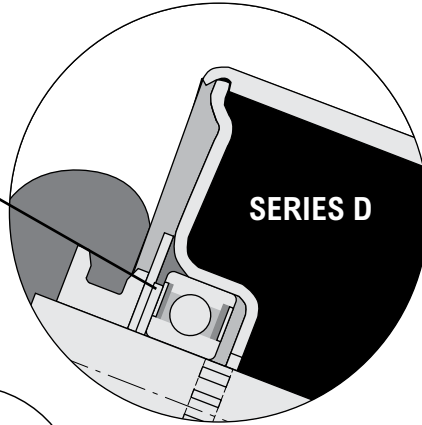
Belt Width	5" Roll		6" Roll		B	C	L
	Product Number	Idler Weight	Product Number	Idler Weight			
18	18-DC5056-02	99	18-DC6056-02	103	29	27	20-7/8
20	20-DC5056-02	102	20-DC6056-02	106	31	29	22-7/8
24	24-DC5056-02	108	24-DC6056-02	113	35	33	26-7/8
30	30-DC5056-02	117	30-DC6056-02	122	41	39	32-7/8
36	36-DC5056-02	127	36-DC6056-02	132	47	45	38-7/8
42	42-DC5056-02	141	42-DC6056-02	148	53	51	44-7/8
48	48-DC5056-02	152	48-DC6056-02	159	59	57	50-7/8
54	54-DC5056-02	162	54-DC6056-02	169	65	63	56-7/8
60	60-DC5056-02	172	60-DC6056-02	179	71	69	62-7/8

Series D RexDura Idlers

Series D — CEMA D Factory-Sealed
 20°, 35° and 45° Trough — 5" and 6" Roll Diameter

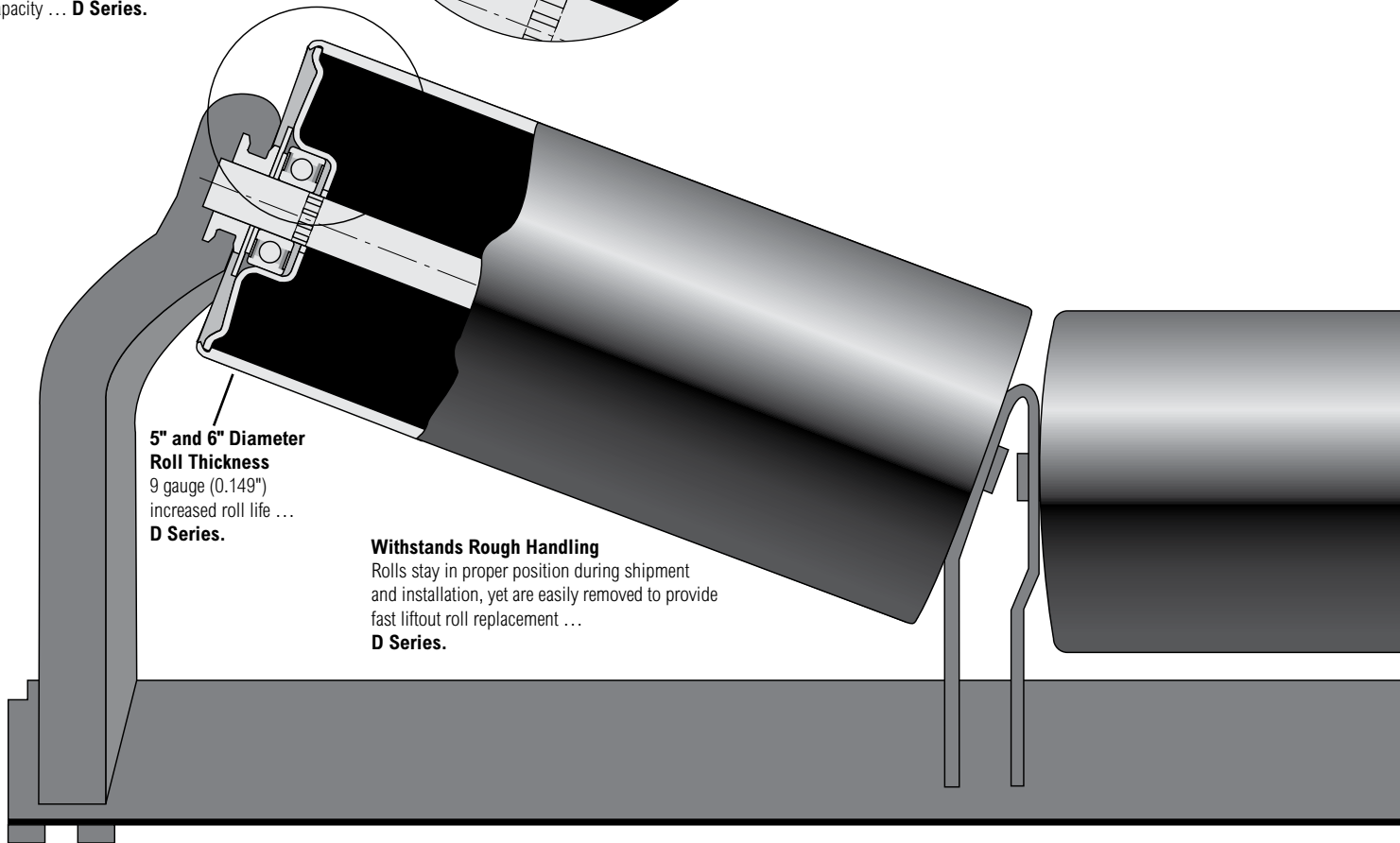
Factory-Sealed Idlers

Sealed-for-life with a rugged seal. Metal and polymeric covers protect the sealed bearing for longer life ... **D Series.**



Longer Idler Life

Rugged ball bearings and shafts provide ample load-carrying capacity ... **D Series.**



5" and 6" Diameter Roll Thickness
 9 gauge (0.149")
 increased roll life ... **D Series.**

Withstands Rough Handling

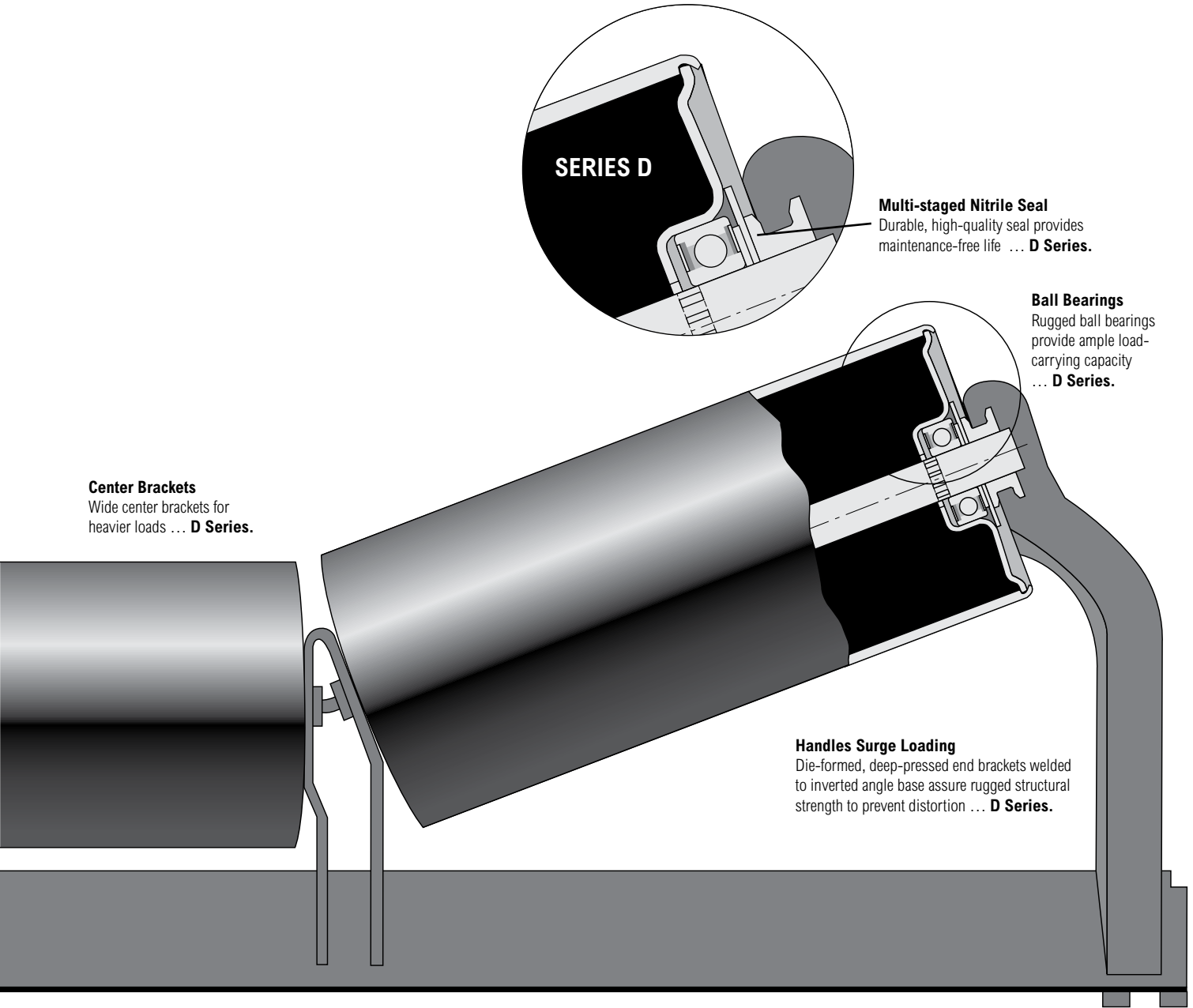
Rolls stay in proper position during shipment and installation, yet are easily removed to provide fast liftout roll replacement ... **D Series.**

Interchangeability

... built to fit existing conveyor frame without cutting or fitting. Conforms to CEMA D dimensions ... **D Series.**

Self-Cleaning Base

Inverted angle base prevents buildup of spillage ... eliminates possible jamming of idler rolls ... **D Series.**



SERIES D

Multi-staged Nitrile Seal
Durable, high-quality seal provides maintenance-free life ... **D Series.**

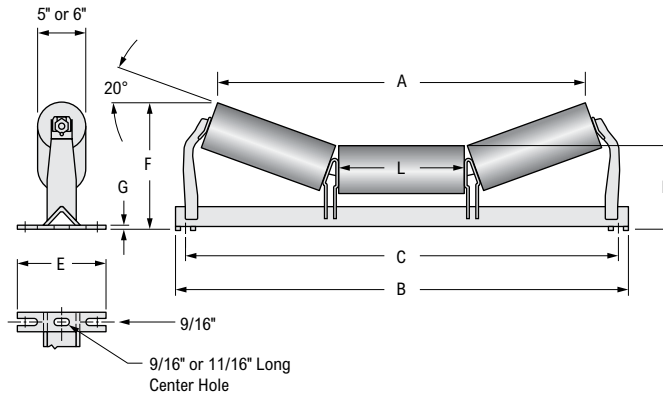
Ball Bearings
Rugged ball bearings provide ample load-carrying capacity ... **D Series.**

Center Brackets
Wide center brackets for heavier loads ... **D Series.**

Handles Surge Loading
Die-formed, deep-pressed end brackets welded to inverted angle base assure rugged structural strength to prevent distortion ... **D Series.**

Series D Dimensions

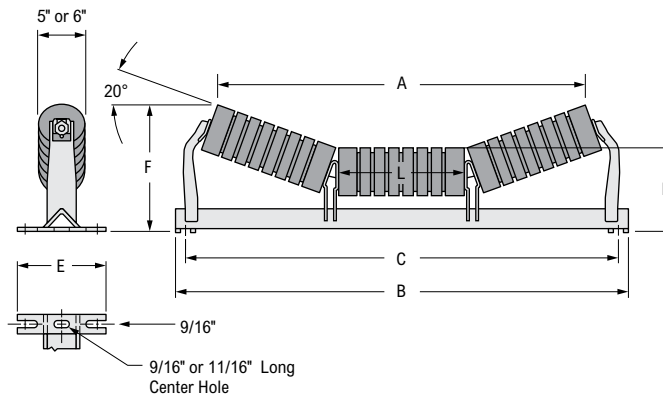
20° Troughing Idler — Equal Length Rolls



Dimensions (in) — Average Weight (lb)

Belt Width	Product Number	5" Roll				6" Roll				B	C	E	L	
		A	F	H	Idler Weight	Product Number	A	F	H					Idler Weight
24	24-DD5200-02	27-1/16	11-11/16	8-1/2	48	24-DD6200-02	26-11/16	12-1/8	9	56	35	33	8	8-15/16
30	30-DD5200-02	33-3/8	12-9/16	8-5/8	58	30-DD6200-02	32-15/16	13-1/16	9-1/8	66	41-1/2	39	9-1/2	11-1/8
36	36-DD5200-02	39-7/16	13-5/16	8-5/8	65	36-DD6200-02	39-1/8	13-3/4	9-1/8	75	47-1/2	45	9-1/2	13-1/4
42	42-DD5200-02	45-3/4	14-7/16	9	82	42-DD6200-02	45-7/16	14-7/8	9-1/2	93	53-1/2	51	9-1/2	15-7/16
48	48-DD5200-02	52-1/16	15-3/16	9	91	48-DD6200-02	51-3/4	15-5/8	9-1/2	103	59-1/2	57	9-1/2	17-5/8
54	54-DD5200-02	58-3/16	16-1/4	9-1/2	105	54-DD6200-02	57-13/16	16-3/4	10	118	65-1/2	63	10-15/16	19-3/4
60	60-DD5200-02	63-7/8	16-7/8	9-1/2	113	60-DD6200-02	63-9/16	17-3/8	10	128	71-1/2	69	10-15/16	21-3/4
72	72-DD5200-02	76-3/16	18-3/8	9-1/2	127	72-DD6200-02	75-13/16	18-7/8	10	147	83-1/2	81	10-15/16	26

20° Troughing Impact Idler — Equal Length Rolls



Dimensions (in) — Average Weight (lb)

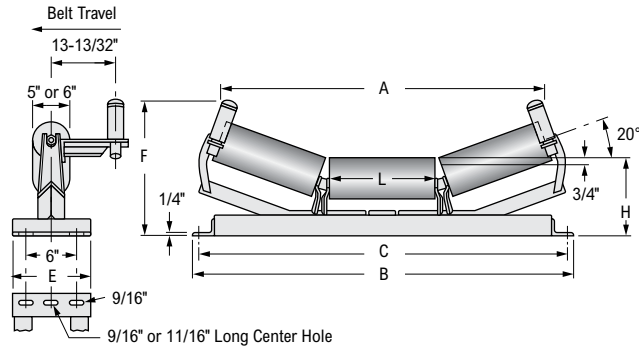
Belt Width	Product Number	5" Roll				6" Roll				B	C	E	L	
		A	F	H	Idler Weight	Product Number	A	F	H					Idler Weight
24	24-DD5202-02	26-5/8	11-7/16	8-1/2	61	24-DD6202-02	26-1/4	11-7/8	9	68	35	33	8	7-7/16
30	30-DD5202-02	32-15/16	12-5/16	8-5/8	75	30-DD6202-02	32-1/2	12-13/16	9-1/8	84	41-1/2	39	9-1/2	9-5/8
36	36-DD5202-02	39	13-1/16	8-5/8	88	36-DD6202-02	38-11/16	13-1/2	9-1/8	99	47-1/2	45	9-1/2	11-3/4
42	42-DD5202-02	45-5/16	14-3/16	9	110	42-DD6202-02	45	14-5/8	9-1/2	124	53-1/2	51	9-1/2	13-15/16
48	48-DD5202-02	51-5/8	14-15/16	9	122	48-DD6202-02	51-1/4	15-3/8	9-1/2	137	59-1/2	57	9-1/2	16-1/8
54	54-DD5202-02	57-11/16	16	9-1/2	140	54-DD6202-02	57-3/8	16-1/2	10	157	65-1/2	63	10-15/16	18-1/4
60	60-DD5202-02	63-7/16	16-5/8	9-1/2	153	60-DD6202-02	63-1/8	17-1/8	10	173	71-1/2	69	10-15/16	20-1/4
72	72-DD5202-02	75-3/4	18-1/8	9-1/2	181	72-DD6202-02	75-3/8	18-5/8	10	199	83-1/2	81	10-15/16	24-1/4

① Use washers on 1/2-inch bolts.

Series D Dimensions

20° Troughing Training Idler — Equal Length Rolls

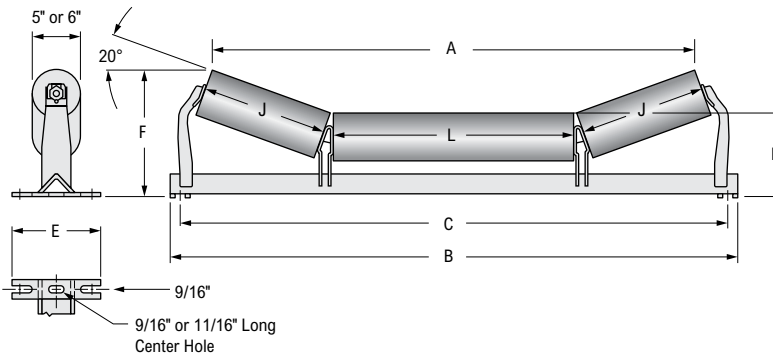
Positive Arm Type — Belt Travel One Direction Only



Dimensions (in) — Average Weight (lb)

Belt Width	5" Roll					6" Roll					B	C	E	L
	Product Number	A	F	H	Idler Weight	Product Number	A	F	H	Idler Weight				
24	24-DD5212-02	26-15/16	12-13/16	9	112	24-DD6212-02	26-11/16	12-5/8	9-1/2	120	35	33	11	8-15/16
30	30-DD5212-02	32-7/8	12-15/16	9	123	30-DD6212-02	32-15/16	13-3/8	9-1/2	133	41	39	11	11-1/8
36	36-DD5212-02	38-7/8	13-11/16	9	135	36-DD6212-02	39-1/8	14-1/8	9-1/2	146	47	45	11	13-1/4
42	42-DD5212-02	44-7/8	14-15/16	9-1/2	164	42-DD6212-02	45-7/16	15-3/8	10	177	53	51	11	15-7/16
48	48-DD5212-02	50-7/8	15-11/16	9-1/2	178	48-DD6212-02	51-3/4	16-1/8	10	192	59	57	11	17-5/8
54	54-DD5212-02	56-7/8	16-3/8	10	221	54-DD6212-02	57-13/16	16-7/8	10-1/2	236	65	63	11	19-3/4
60	60-DD5212-02	62-7/8	17-1/16	10	236	60-DD6212-02	63-9/16	17-1/2	10-1/2	253	71	69	11	21-3/4
72	72-DD5212-02	74-7/8	18-3/8	10	265	72-DD6212-02	75-13/16	18-7/8	10-1/2	284	83	81	11	26

20° Troughing Idler — Unequal Length Rolls

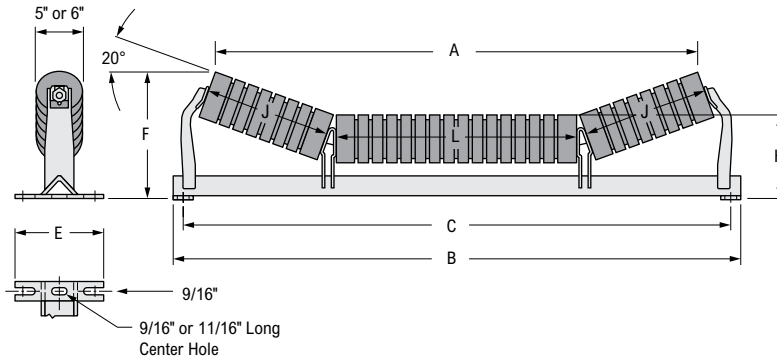


Dimensions (in) — Average Weight (lb)

Belt Width	5" Roll					6" Roll					B	C	E	J	L
	Product Number	A	F	H	Idler Weight	Product Number	A	F	H	Idler Weight					
24	24-DD5201-02	26-15/16	10-5/8	8-5/8	49	24-DD6201-02	26-5/8	11-1/16	9-1/8	57	35-1/2	33	9-1/2	5-7/16	15-7/16
30	30-DD5201-02	32-7/8	10-5/8	8-5/8	56	30-DD6201-02	32-9/16	11-1/16	9-1/8	64	41-1/2	39	9-1/2	5-7/16	21-3/8
36	36-DD5201-02	38-7/8	10-5/8	8-5/8	62	36-DD6201-02	38-9/16	11-1/16	9-1/8	72	47-1/2	45	9-1/2	5-7/16	27-3/8
42	42-DD5201-02	44-7/8	11	9	78	42-DD6201-02	44-9/16	11-1/16	9-1/2	88	53-1/2	51	9-1/2	5-7/16	33-3/8
48	48-DD5201-02	50-7/8	11	9	85	48-DD6201-02	50-9/16	11-1/16	9-1/2	97	59-1/2	57	9-1/2	5-7/16	39-3/8
54	54-DD5201-02	56-7/8	11-3/8	9-1/2	98	54-DD6201-02	56-9/16	11-13/16	10	111	65-1/2	63	10-15/16	5-7/16	45-3/8
60	60-DD5201-02	62-7/8	11-3/8	9-1/2	106	60-DD6201-02	62-9/16	11-13/16	10	120	71-1/2	69	10-15/16	5-7/16	51-3/8
72	72-DD5201-02	74-7/8	11-3/8	9-1/2	122	72-DD6201-02	74-9/16	11-13/16	10	139	83-1/2	81	10-15/16	5-7/16	63-3/8

Series D Dimensions

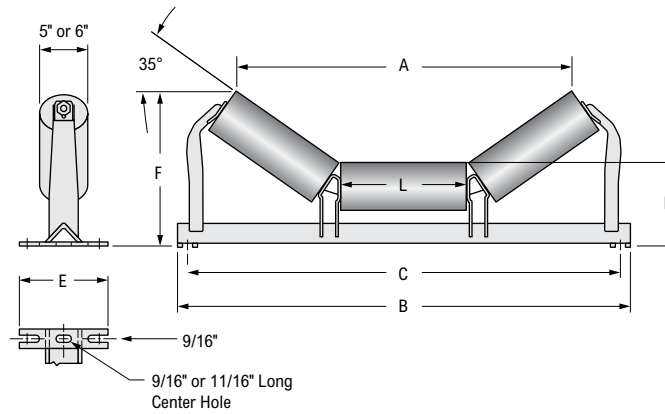
20° Troughing Impact Idler — Unequal Length Rolls



Dimensions (in) — Average Weight (lb)

Belt Width	5" Roll					6" Roll					B	C	E	J	L
	Product Number	A	F	H	Idler Weight	Product Number	A	F	H	Idler Weight					
24	24-DD5203-02	26-1/2	10-3/8	8-5/8	64	24-DD6203-02	26-3/16	10-13/16	9-1/8	71	35-1/2	33	9-1/2	3-15/16	13-15/16
30	30-DD5203-02	32-7/16	10-3/8	8-5/8	73	30-DD6203-02	32-1/8	10-13/16	9-1/8	84	41-1/2	39	9-1/2	3-15/16	19-7/8
36	36-DD5203-02	38-7/16	10-3/8	8-5/8	84	36-DD6203-02	37-1/8	10-13/16	9-1/8	94	47-1/2	45	9-1/2	3-15/16	25-7/8
42	42-DD5203-02	44-7/16	10-3/4	9	103	42-DD6203-02	43-1/8	11-3/16	9-1/2	114	53-1/2	51	9-1/2	3-15/16	31-7/8
48	48-DD5203-02	50-7/16	10-3/4	9	112	48-DD6203-02	49-1/8	11-3/16	9-1/2	124	59-1/2	57	9-1/2	3-15/16	37-7/8
54	54-DD5203-02	56-7/16	11-1/8	9-1/2	130	54-DD6203-02	55-1/8	11-9/16	10	144	65-1/2	63	10-15/16	3-15/16	43-7/8
60	60-DD5203-02	62-7/16	11-1/8	9-1/2	141	60-DD6203-02	61-1/8	11-9/16	10	157	71-1/2	69	10-15/16	3-15/16	49-7/8
72	72-DD5203-02	74-7/16	11-1/8	9-1/2	165	72-DD6203-02	73-1/8	11-9/16	10	186	83-1/2	81	10-15/16	3-15/16	61-7/8

35° Troughing Idler — Equal Length Rolls

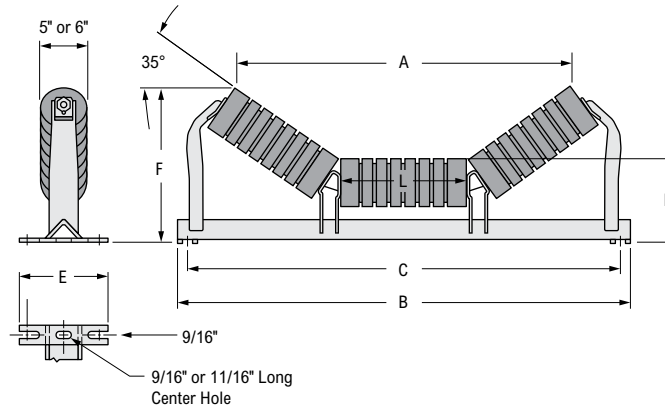


Dimensions (in) — Average Weight (lb)

Belt Width	5" Roll					6" Roll					B	C	E	L
	Product Number	A	F	H	Idler Weight	Product Number	A	F	H	Idler Weight				
24	24-DD5300-02	24-9/16	13-13/16	8-1/2	50	24-DD6300-02	24-1/16	14-1/4	9	57	35	33	8	8-15/16
30	30-DD5300-02	30-3/8	15-3/16	8-5/8	59	30-DD6300-02	29-13/16	15-11/16	9-1/8	68	41-1/2	39	9-1/2	11-1/8
36	36-DD5300-02	35-15/16	16-3/8	8-5/8	67	36-DD6300-02	35-7/16	16-13/16	9-1/8	76	47-1/2	45	9-1/2	13-1/4
42	42-DD5300-02	41-3/4	18-1/16	9	85	42-DD6300-02	41-3/16	18-7/16	9-1/2	96	53-1/2	51	9-1/2	15-7/16
48	48-DD5300-02	47-1/2	19-5/16	9	94	48-DD6300-02	46-15/16	19-11/16	9-1/2	106	59-1/2	57	9-1/2	17-5/8
54	54-DD5300-02	53-1/8	20-7/8	9-1/2	111	54-DD6300-02	52-9/16	21-5/16	10	125	65-1/2	63	10-15/16	19-3/4
60	60-DD5300-02	58-3/8	22-1/16	9-1/2	119	60-DD6300-02	57-7/8	22-7/16	10	134	71-1/2	69	10-15/16	21-3/4
72	72-DD5300-02	69-9/16	24-7/16	9-1/2	136	72-DD6300-02	69-1/16	24-7/8	10	157	83-1/2	81	10-15/16	26

Series D Dimensions

35° Troughing Impact Idler — Equal Length Rolls

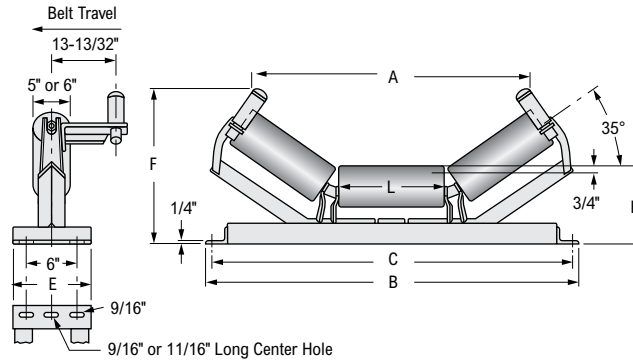


Dimensions (in) — Average Weight (lb)

Belt Width	5" Roll					6" Roll					B	C	E	L
	Product Number	A	F	H	Idler Weight	Product Number	A	F	H	Idler Weight				
24	24-DD5302-02	24-3/16	13-3/8	8-1/2	62	24-DD6302-02	23-5/8	13-13/16	9	69	35	33	8	7-7/16
30	30-DD5302-02	29-15/16	14-3/4	8-5/8	77	30-DD6302-02	29-3/8	15-1/8	9-1/8	86	41-1/2	39	9-1/2	9-5/8
36	36-DD5302-02	35-9/16	15-15/16	8-5/8	90	36-DD6302-02	35	16-3/8	9-1/8	101	47-1/2	45	9-1/2	11-3/4
42	42-DD5302-02	41-3/8	17-5/8	9	113	42-DD6302-02	40-3/4	18	9-1/2	127	53-1/2	51	9-1/2	13-15/16
48	48-DD5302-02	47-1/8	18-7/8	9	125	48-DD6302-02	46-1/2	19-1/4	9-1/2	140	59-1/2	57	9-1/2	16-1/8
54	54-DD5302-02	52-3/4	20-7/16	9-1/2	147	54-DD6302-02	52-1/8	20-7/8	10	164	65-1/2	63	10-15/16	18-1/4
60	60-DD5302-02	58	21-5/8	9-1/2	160	60-DD6302-02	57-3/8	22	10	179	71-1/2	69	10-15/16	20-1/4
72	72-DD5302-02	69-3/16	24	9-1/2	190	72-DD6302-02	68-5/8	24-7/16	10	208	83-1/2	81	10-15/16	24-1/4

35° Troughing Training Idler — Equal Length Rolls

Positive Arm Type — Belt Travel One Direction Only

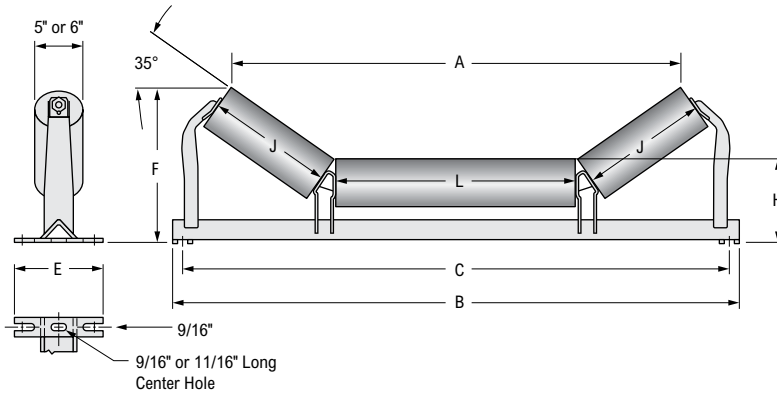


Dimensions (in) — Average Weight (lb)

Belt Width	5" Roll					6" Roll					B	C	E	L
	Product Number	A	F	H	Idler Weight	Product Number	A	F	H	Idler Weight				
24	24-DD5312-02	24-9/16	14-5/16	9	115	24-DD6312-02	24-1/16	14-3/4	9-1/2	124	35	33	11	8-15/16
30	30-DD5312-02	30-3/8	15-9/16	9	127	30-DD6312-02	29-13/16	16-1/16	9-1/2	137	41	39	11	11-1/8
36	36-DD5312-02	35-15/16	16-3/4	9	139	36-DD6312-02	35-7/16	17-3/16	9-1/2	150	47	45	11	13-1/4
42	42-DD5312-02	41-3/4	18-9/16	9-1/2	168	42-DD6312-02	41-3/16	18-15/16	10	181	53	51	11	15-7/16
48	48-DD5312-02	47-1/2	19-13/16	9-1/2	182	48-DD6312-02	46-15/16	20-3/16	10	196	59	57	11	17-5/8
54	54-DD5312-02	53-1/8	21	10	225	54-DD6312-02	52-9/16	21-7/16	10-1/2	241	65	63	11	19-3/4
60	60-DD5312-02	58-3/8	22-3/16	10	241	60-DD6312-02	57-7/8	22-9/16	10-1/2	258	71	69	11	21-3/4
72	72-DD5312-02	69-9/16	24-7/16	10	273	72-DD6312-02	69-1/16	24-7/8	10-1/2	293	83	81	11	26

Series D Dimensions

35° Troughing Idler — Unequal Length Rolls

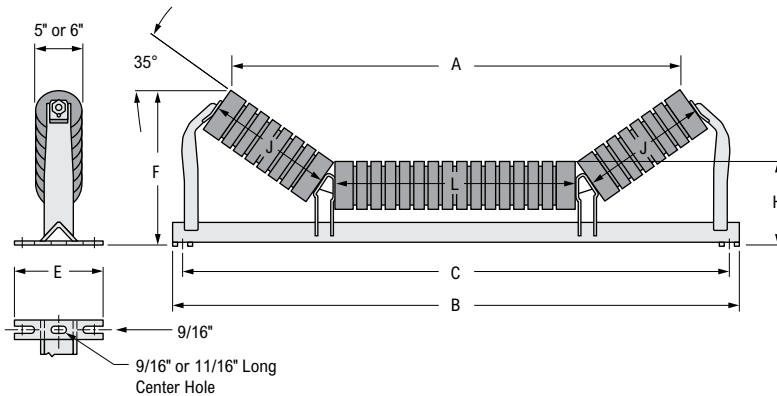


Dimensions (in) — Average Weight (lb)

Belt Width	Product Number	5" Roll				Idler Weight	6" Roll				B	C	E	J	L
		A	F	H	Idler Weight		Product Number	A	F	H					
24	24-DD5301-02	25-5/16	12-3/4	8-5/8	50	24-DD6301-02	24-3/4	12-3/16	9-1/8	59	35-1/2	33	9-1/2	6-3/4	13-1/4
30	30-DD5301-02	31-1/16	13-15/16	8-5/8	57	30-DD6301-02	30-9/16	14-5/16	9-1/8	67	41-1/2	39	9-1/2	8-15/16	15-7/16
36	36-DD5301-02	35-3/8	13-15/16	8-5/8	62	36-DD6301-02	34-7/8	14-5/16	9-1/8	73	47-1/2	45	9-1/2	8-15/16	19-3/4
42	42-DD5301-02	40-5/8	15-9/16	9	77	42-DD6301-02	40-1/16	15-15/16	9-1/2	90	53-1/2	51	9-1/2	11-1/8	21-3/8
48	48-DD5301-02	46-5/8	15-9/16	9	85	48-DD6301-02	46-1/16	15-15/16	9-1/2	99	59-1/2	57	9-1/2	11-1/8	27-3/8
54	54-DD5301-02	52-5/8	15-9/16	9-1/2	98	54-DD6301-02	52-1/16	16-5/16	10	112	65-1/2	63	10-15/16	11-1/8	33-3/8
60	60-DD5301-02	58-5/8	15-9/16	9-1/2	105	60-DD6301-02	58-1/16	16-5/16	10	121	71-1/2	69	10-15/16	11-1/8	39-3/8
72	72-DD5301-02	70-5/8	15-9/16	9-1/2	122	72-DD6301-02	70-1/16	16-5/16	10	140	83-1/2	81	10-15/16	11-1/8	51-3/8

NOTE: Contact Rexnord for load rating.

35° Troughing Impact Idler — Unequal Length Rolls



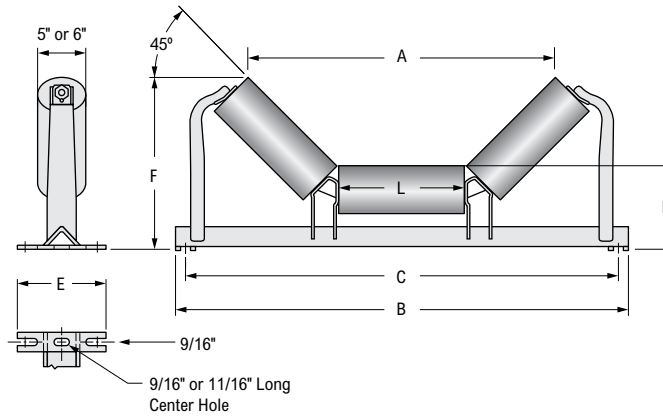
Dimensions (in) — Average Weight (lb)

Belt Width	Product Number	5" Roll				Idler Weight	6" Roll				B	C	E	J	L
		A	F	H	Idler Weight		Product Number	A	F	H					
24	24-DD5303-02	24-7/8	12-5/16	8-5/8	66	24-DD6303-02	24-3/8	11-3/4	9-1/8	73	35-1/2	33	9-1/2	5-1/4	11-3/4
30	30-DD5303-02	30-11/16	13-1/2	8-5/8	77	30-DD6303-02	30-1/8	13-7/8	9-1/8	86	41-1/2	39	9-1/2	7-7/16	13-15/16
36	36-DD5303-02	35	13-1/2	8-5/8	85	36-DD6303-02	34-1/2	13-7/8	9-1/8	95	47-1/2	45	9-1/2	7-7/16	18-1/4
42	42-DD5303-02	40-1/4	15-1/8	9	104	42-DD6303-02	39-11/16	15-1/2	9-1/2	118	53-1/2	51	9-1/2	9-5/8	19-7/8
48	48-DD5303-02	46-1/4	15-1/8	9	115	48-DD6303-02	45-11/16	15-1/2	9-1/2	128	59-1/2	57	9-1/2	9-5/8	25-7/8
54	54-DD5303-02	52-1/4	15-1/2	9-1/2	131	54-DD6303-02	51-11/16	15-7/8	10	146	65-1/2	63	10-15/16	9-5/8	31-7/8
60	60-DD5303-02	58-1/4	15-1/2	9-1/2	142	60-DD6303-02	57-11/16	15-7/8	10	158	71-1/2	69	10-15/16	9-5/8	37-7/8
72	72-DD5303-02	70-1/4	15-1/2	9-1/2	167	72-DD6303-02	69-11/16	15-7/8	10	186	83-1/2	81	10-15/16	9-5/8	49-7/8

NOTE: Contact Rexnord for load rating.

Series D Dimensions

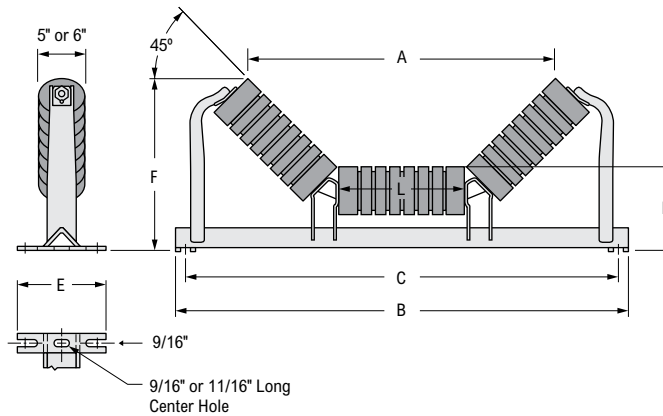
45° Troughing Idler — Equal Length Rolls



Dimensions (in) — Average Weight (lb)

Belt Width	5" Roll					6" Roll					B	C	E	L
	Product Number	A	F	H	Idler Weight	Product Number	A	F	H	Idler Weight				
24	24-DD5400-02	22-3/4	15-1/16	8-1/2	50	24-DD6400-02	22-1/8	15-3/8	9	58	35	33	8	8-15/16
30	30-DD5400-02	28-1/16	16-3/4	8-5/8	60	30-DD6400-02	27-3/8	17-1/8	9-1/8	69	41-1/2	39	9-1/2	11-1/8
36	36-DD5400-02	33-1/8	18-3/16	8-5/8	68	36-DD6400-02	32-5/16	18-9/16	9-1/8	78	47-1/2	45	9-1/2	13-1/4
42	42-DD5400-02	38-7/16	20-3/16	9	85	42-DD6400-02	37-11/16	20-1/2	9-1/2	96	53-1/2	51	9-1/2	15-7/16
48	48-DD5400-02	43-11/16	21-11/16	9	97	48-DD6400-02	43-1/16	22-1/16	9-1/2	109	59-1/2	57	9-1/2	17-5/8
54	54-DD5400-02	48-13/16	23-9/16	9-1/2	113	54-DD6400-02	48-1/16	23-15/16	10	126	65-1/2	63	10-15/16	19-3/4
60	60-DD5400-02	53-11/16	25	9-1/2	120	60-DD6400-02	53	25-5/16	10	135	71-1/2	69	10-15/16	21-3/4
72	72-DD5400-02	63-15/16	28	9-1/2	138	72-DD6400-02	63-1/4	28-5/16	10	159	83-1/2	81	10-15/16	26

45° Troughing Impact Idler — Equal Length Rolls



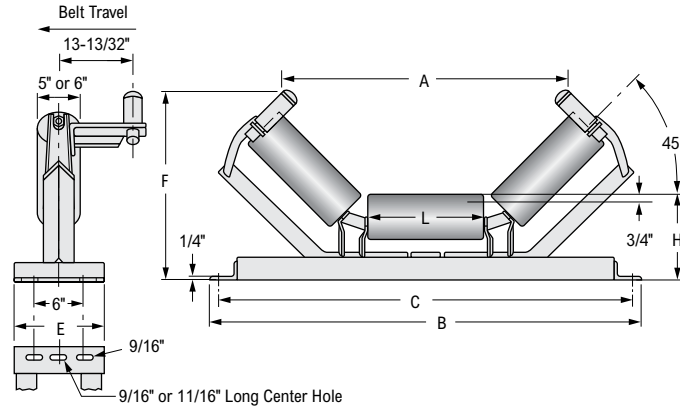
Dimensions (in) — Average Weight (lb)

Belt Width	5" Roll					6" Roll					B	C	E	L
	Product Number	A	F	H	Idler Weight	Product Number	A	F	H	Idler Weight				
24	24-DD5402-02	22-3/8	14-9/16	8-1/2	63	24-DD6402-02	21-11/16	14-7/8	9	70	35	33	8	7-7/16
30	30-DD5402-02	27-5/8	16-1/4	8-5/8	78	30-DD6402-02	26-15/16	16-9/16	9-1/8	87	41-1/2	39	9-1/2	9-5/8
36	36-DD5402-02	32-3/4	17-11/16	8-5/8	91	36-DD6402-02	32-1/16	18-1/16	9-1/8	102	47-1/2	45	9-1/2	11-3/4
42	42-DD5402-02	38-1/16	19-11/16	9	113	42-DD6402-02	37-3/8	20	9-1/2	127	53-1/2	51	9-1/2	13-15/16
48	48-DD5402-02	43-1/3	21-3/16	9	128	48-DD6402-02	42-5/8	21-9/16	9-1/2	143	59-1/2	57	9-1/2	16-1/8
54	54-DD5402-02	48-7/16	23-1/16	9-1/2	148	54-DD6402-02	47-3/4	23-7/16	10	165	65-1/2	63	10-15/16	18-1/4
60	60-DD5402-02	53-1/4	24-1/2	9-1/2	160	60-DD6402-02	52-9/16	24-13/16	10	180	71-1/2	69	10-15/16	20-1/4
72	72-DD5402-02	63-9/16	27-1/2	9-1/2	193	72-DD6402-02	62-13/16	27-13/16	10	210	83-1/2	81	10-15/16	24-1/4

Series D Dimensions

45° Troughing Training Idler — Equal Length Rolls

Positive Arm Type — Belt Travel One Direction Only

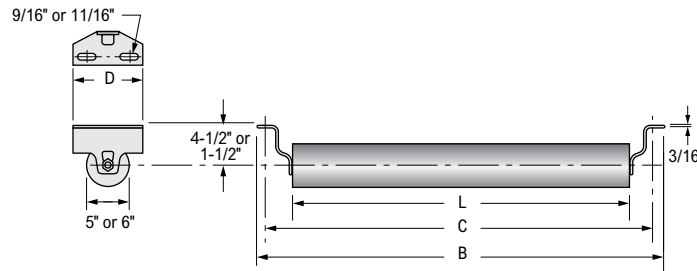


Dimensions (in) — Average Weight (lb)

Belt Width	5" Roll					6" Roll					B	C	E	L
	Product Number	A	F	H	Idler Weight	Product Number	A	F	H	Idler Weight				
24	24-DD5412-02	22-3/4	15-3/8	9	116	24-DD6412-02	22-1/8	15-7/8	9-1/2	124	35	33	11	8-15/16
30	30-DD5412-02	28-1/16	16-15/16	9	128	30-DD6412-02	27-3/8	17-1/2	9-1/2	137	41	39	11	11-1/8
36	36-DD5412-02	33-1/8	18-7/16	9	139	36-DD6412-02	32-5/16	18-15/16	9-1/2	150	47	45	11	13-1/4
42	42-DD5412-02	38-7/16	20-7/16	9-1/2	169	42-DD6412-02	37-11/16	21	10	182	53	51	11	15-7/16
48	48-DD5412-02	43-11/16	22	9-1/2	183	48-DD6412-02	43-1/16	22-9/16	10	197	59	57	11	17-5/8
54	54-DD5412-02	48-13/16	23-11/16	10	227	54-DD6412-02	48-1/16	24-1/16	10-1/2	424	65	63	11	19-3/4
60	60-DD5412-02	53-11/16	25-1/8	10	242	60-DD6412-02	53	25-7/16	10-1/2	259	71	69	11	21-3/4
72	72-DD5412-02	63-15/16	28	10	275	72-DD6412-02	63-1/4	28-5/16	10-1/2	294	83	81	11	26

Series D Dimensions

Return Steel Idler

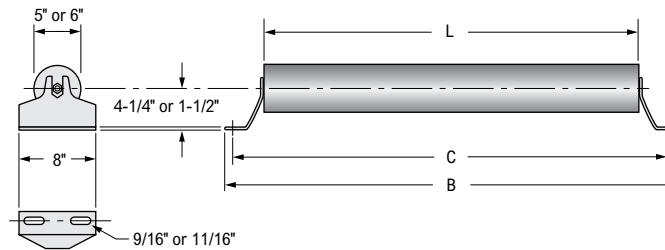


Dimensions (in) — Average Weight (lb)

Belt Width	5" Roll		6" Roll		B	C	1-1/2" Drop	4-1/2" Drop	L
	Product Number	Idler Weight	Product Number	Idler Weight			D	D	
24	24-DD5040-02	28	24-DD6040-02	34	35	33	6	8	27-3/8
30	30-DD5040-02	33	30-DD6040-02	40	41	39	6	8	33-3/8
36	36-DD5040-02	38	36-DD6040-02	46	57	45	6	8	39-3/8
42	42-DD5040-02	43	42-DD6040-02	52	63	51	6	8	45-3/8
48	48-DD5040-02	48	48-DD6040-02	58	59	57	6	8	51-3/8
54	54-DD5040-02	52	54-DD6040-02	64	65	63	6	8	57-3/8
60	60-DD5040-02	57	60-DD6040-02	70	71	69	6	8	63-3/8
72	72-DD5040-02	67	72-DD6040-02	82	83	81	6	8	75-3/8

① Available with 11-3/4 or 16-1/2-inch drop.

Flat Steel Idler

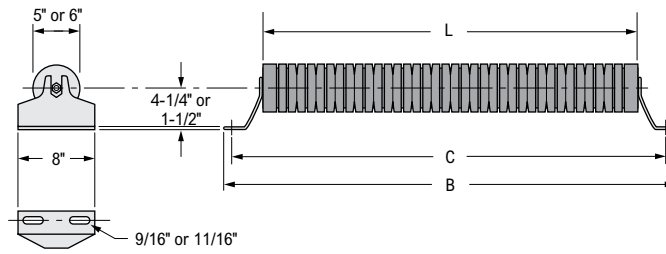


Dimensions (in) — Average Weight (lb)

Belt Width	5" Roll			6" Roll			B	C	L
	Product Number	1-1/2" Drop Idler Weight	4-1/2" Drop Idler Weight	Product Number	1-1/2" Drop Idler Weight	4-1/2" Drop Idler Weight			
24	24-DD5020-02	30	31	24-DD6020-02	36	37	35	33	27-3/8
30	30-DD5020-02	35	36	30-DD6020-02	42	43	41	39	33-3/8
36	36-DD5020-02	40	41	36-DD6020-02	48	49	47	45	39-3/8
42	42-DD5020-02	45	46	42-DD6020-02	54	55	53	51	45-3/8
48	48-DD5020-02	49	50	48-DD6020-02	60	61	59	57	51-3/8
54	54-DD5020-02	54	55	54-DD6020-02	66	67	65	63	57-3/8
60	60-DD5020-02	59	60	60-DD6020-02	71	72	71	69	63-3/8
72	72-DD5020-02	68	69	72-DD6020-02	83	84	83	81	75-3/8

Series D Dimensions

Flat Rubber Idler



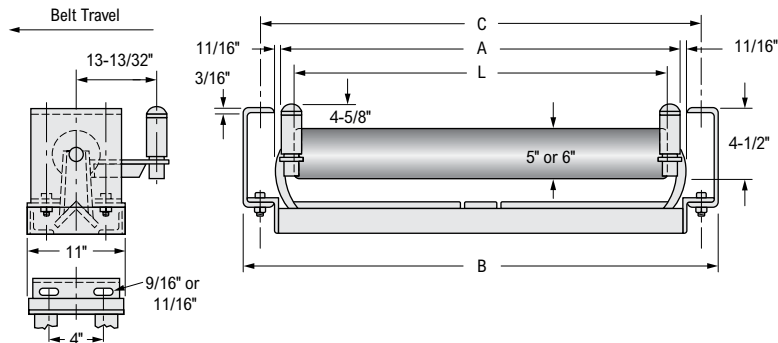
Dimensions (in) — Average Weight (lb)

Belt Width	5" Roll			6" Roll			B	C	L
	Product Number	1-1/2" Drop Idler Weight	4-1/2" Drop Idler Weight	Product Number	1-1/2" Drop Idler Weight	4-1/2" Drop Idler Weight			
24	24-DD5025-02	38	39	24-DD6025-02	45	46	35	33	25-7/8
30	30-DD5025-02	45	46	30-DD6025-02	54	55	41	39	31-7/8
36	36-DD5025-02	52	53	36-DD6025-02	61	62	47	45	37-7/8
42	42-DD5025-02	59	60	42-DD6025-02	71	72	53	51	43-7/8
48	48-DD5025-02	67	68	48-DD6025-02	79	80	59	57	49-7/8
54	54-DD5025-02	73	74	54-DD6025-02	89	90	65	63	55-7/8
60	60-DD5025-02	79	80	60-DD6025-02	98	99	71	69	61-7/8
72	72-DD5025-02	95	96	72-DD6025-02	116	117	83	81	73-7/8

Series D Dimensions

Return Training Idler

Positive Arm Type — Belt Travel One Direction Only



Dimensions (in) — Average Weight (lb)

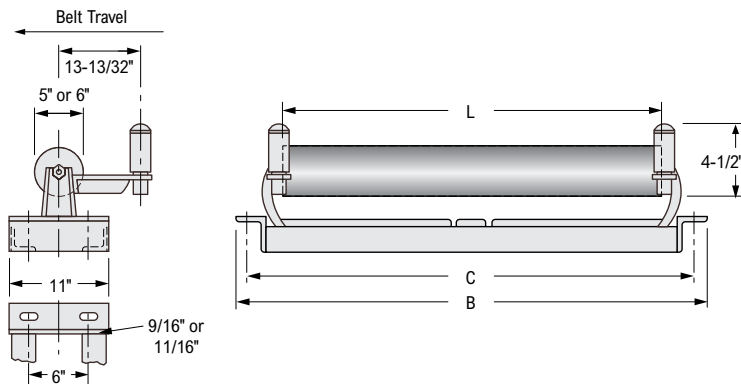
Belt Width	5" Roll		6" Roll		A	B	C	L	
	Product Number	Idler Weight and Thickness 0.149"	Product Number	Idler Weight and Thickness					
				0.165"					0.250"
54	54-DD5052-02	178	54-DD6052-02	192	216	59-5/8	65-1/2	63	57
60	60-DD5052-02	188	60-DD6052-02	200	227	65-5/8	71-1/2	69	63
72	72-DD5052-02	208	72-DD6052-02	214	238	77-5/8	83-1/2	81	75

① Available with 1-1/2- or 11-3/4-inch drop.

② 1/4" to 0.72" belt width.

Flat Training Idler

Positive Arm Type — Belt Travel One Direction Only



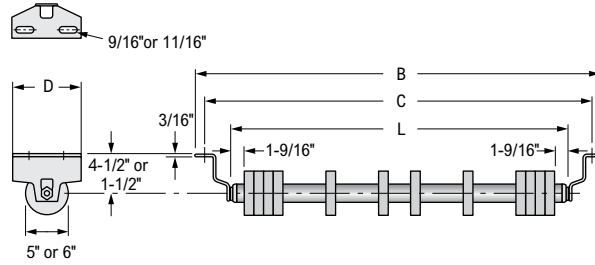
Dimensions (in) — Average Weight (lb)

Belt Width	5" Roll		6" Roll		B	C	L
	Product Number	Idler Weight	Product Number	Idler Weight			
24	24-DD5031-02	98	24-DD6031-02	105	35	33	27-3/8
30	30-DD5031-02	109	30-DD6031-02	117	41	39	33-3/8
36	36-DD5031-02	120	36-DD6031-02	130	47	45	39-3/8
42	42-DD5031-02	147	42-DD6031-02	158	53	51	45-3/8
48	48-DD5031-02	160	48-DD6031-02	172	59	57	51-3/8
54	54-DD5031-02	187	54-DD6031-02	201	65	63	57-3/8
60	60-DD5031-02	202	60-DD6031-02	216	71	69	63-3/8
72	72-DD5031-02	231	72-DD6031-02	248	83	81	75-3/8

Series D Dimensions

Disc Return Idler

Rex Disc Return Idlers minimize belt misalignment which can cause damage to the belt, resulting from material buildup on the return idler rolls. Available in rubber discs.



Four discs on each end is standard.

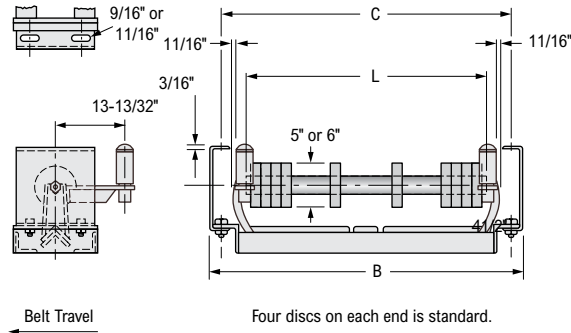
Dimensions (in) — Average Weight (lb)

Belt Width	5" Roll		6" Roll		B	C	1-1/2" Drop	4-1/2" Drop	L
	Product Number	Idler Weight	Product Number	Idler Weight			D	D	
24	24-DD5043-02	31	24-DD6043-02	36	35	33	6	8	26-7/8
30	30-DD5043-02	36	30-DD6043-02	41	41	39	6	8	32-7/8
36	36-DD5043-02	40	36-DD6043-02	46	57	45	6	8	38-7/8
42	42-DD5043-02	45	42-DD6043-02	51	53	51	6	8	44-7/8
48	48-DD5043-02	49	48-DD6043-02	56	59	57	6	8	50-7/8
54	54-DD5043-02	54	54-DD6043-02	61	65	63	6	8	56-7/8
60	60-DD5043-02	58	60-DD6043-02	66	71	69	6	8	62-7/8
72	72-DD5043-02	67	72-DD6043-02	75	83	81	6	8	74-7/8

① Available with 11-3/4- or 16-1/2-inch drop.

Disc Return Training Idler

Positive Arm Type — Belt Travel One Direction Only



Four discs on each end is standard.

Dimensions (in) — Average Weight (lb)

Belt Width	5" Roll			6" Roll			B	C	L
	Product Number	1-1/2" Drop Idler Weight	4-1/2" Drop Idler Weight	Product Number	1-1/2" Drop Idler Weight	4-1/2" Drop Idler Weight			
24	24-DD5056-02	118	121	24-DD6056-02	122	126	35	33	26-7/8
30	30-DD5056-02	130	133	30-DD6056-02	135	138	41	39	32-7/8
36	36-DD5056-02	142	146	36-DD6056-02	147	151	47	45	38-7/8
42	42-DD5056-02	170	173	42-DD6056-02	175	179	53	51	44-7/8
48	48-DD5056-02	184	187	48-DD6056-02	190	193	59	57	50-7/8
54	54-DD5056-02	198	201	54-DD6056-02	204	208	65	63	56-7/8
60	60-DD5056-02	212	215	60-DD6056-02	219	222	71	69	62-7/8
72	72-DD5056-02	259	262	72-DD6056-02	266	269	83	81	74-7/8

① 1/4" to 0.72" belt width.

Intentionally Left Blank

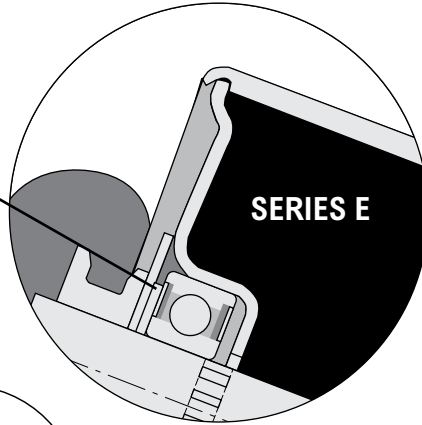
Series E RexDura Idlers

Series E — CEMA E Factory-Sealed

20°, 35° and 45° Trough — 6" and 7" Roll Diameter

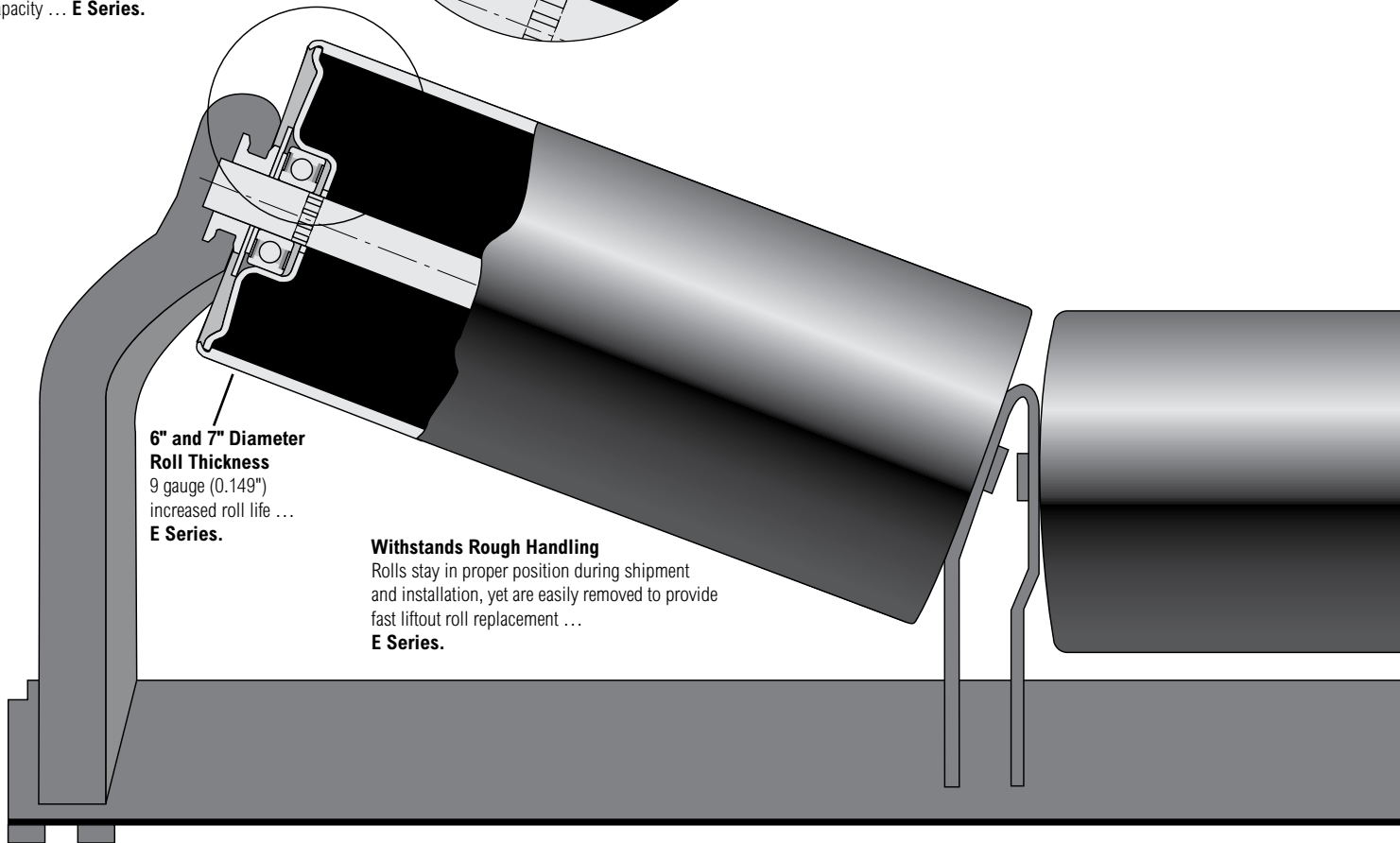
Factory-Sealed Idlers

Sealed-for-life with a rugged seal. Metal and polymeric covers protect the sealed bearing for longer life ... **E Series.**



Longer Idler Life

Rugged ball bearings and shafts provide ample load-carrying capacity ... **E Series.**



6" and 7" Diameter Roll Thickness
9 gauge (0.149")
increased roll life ... **E Series.**

Withstands Rough Handling

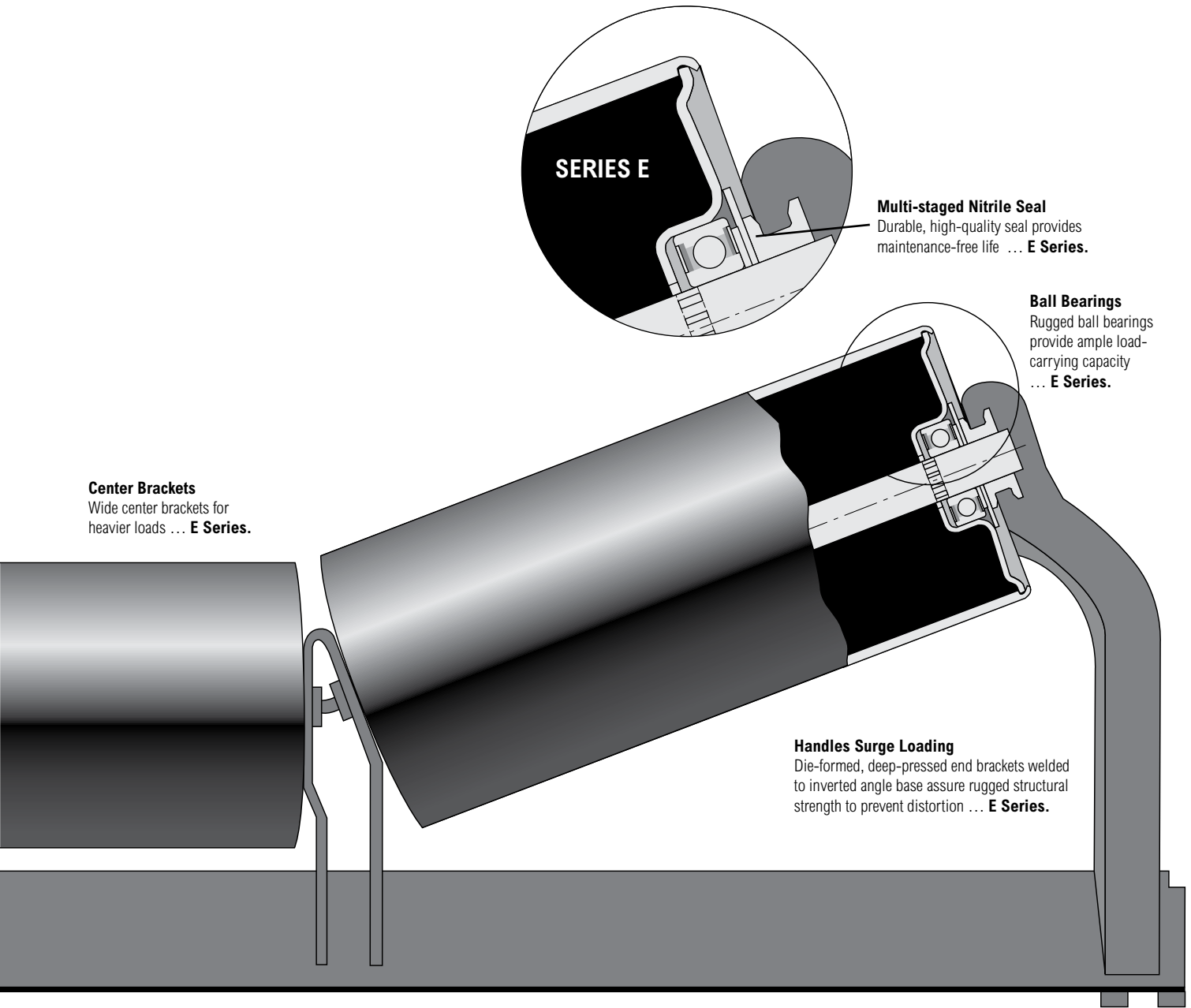
Rolls stay in proper position during shipment and installation, yet are easily removed to provide fast liftout roll replacement ... **E Series.**

Interchangeability

... built to fit existing conveyor frame without cutting or fitting. Conforms to CEMA E dimensions ... **E Series.**

Self-Cleaning Base

Inverted angle base prevents buildup of spillage ... eliminates possible jamming of idler rolls ... **E Series.**



SERIES E

Multi-staged Nitrile Seal
Durable, high-quality seal provides maintenance-free life ... **E Series.**

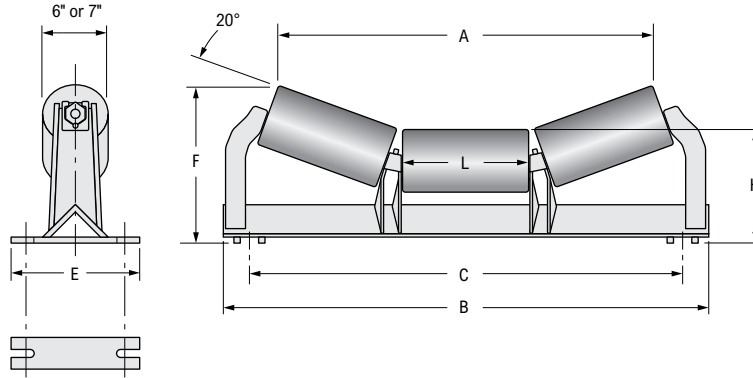
Ball Bearings
Rugged ball bearings provide ample load-carrying capacity ... **E Series.**

Center Brackets
Wide center brackets for heavier loads ... **E Series.**

Handles Surge Loading
Die-formed, deep-pressed end brackets welded to inverted angle base assure rugged structural strength to prevent distortion ... **E Series.**

Series E Dimensions

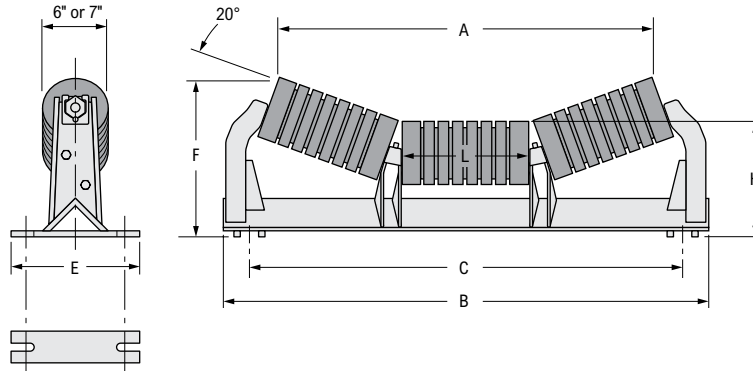
20° Troughing Idler — Equal Length Rolls



Dimensions (in) — Average Weight (lb)

Belt Width	Product Number	6" Roll				Idler Weight	7" Roll				B	C	E	L
		A	F	H			Product Number	A	F	H				
36	36-DE6200-02	39-3/4	15-3/8	10-3/4	129	36-DE7200-02	39-3/8	15-7/8	11-1/4	141	49	45	12	13
42	42-DE6200-02	45-1/2	16-1/16	10-3/4	142	42-DE7200-02	45-1/8	16-9/16	11-1/4	154	54-3/4	51	12	15
48	48-DE6200-02	53-7/16	17	10-3/4	158	48-DE7200-02	53-1/16	17-1/2	11-1/4	168	62-5/8	57	12	17-3/4
54	54-DE6200-02	59-3/16	17-11/16	10-3/4	169	54-DE7200-02	58-7/8	18-3/16	11-1/4	186	68-3/8	63	12	19-3/4
60	60-DE6200-02	64-15/16	18-3/8	10-3/4	182	60-DE7200-02	64-9/16	18-7/8	11-1/4	199	74-1/4	69	12	21-3/4
66	66-DE6200-02	70-11/16	19-13/16	11-1/2	218	66-DE7200-02	70-5/16	20-1/4	12	237	79-7/8	75	12	23-3/4
72	72-DE6200-02	76-7/16	20-1/2	11-1/2	232	72-DE7200-02	76-1/18	20-15/16	12	252	85-7/8	81	12	25-3/4
84	84-DE6200-02	87-15/16	21-15/16	11-5/8	304	84-DE7200-02	87-9/16	22-7/16	12-1/8	326	97-1/4	93	14-1/2	29-3/4
96	96-DE6200-02	99-1/2	23-5/16	11-5/8	337	96-DE7200-02	99-1/8	23-13/16	12-1/8	362	108-3/4	105	14-1/2	33-3/4

20° Troughing Impact Idler — Equal Length Rolls



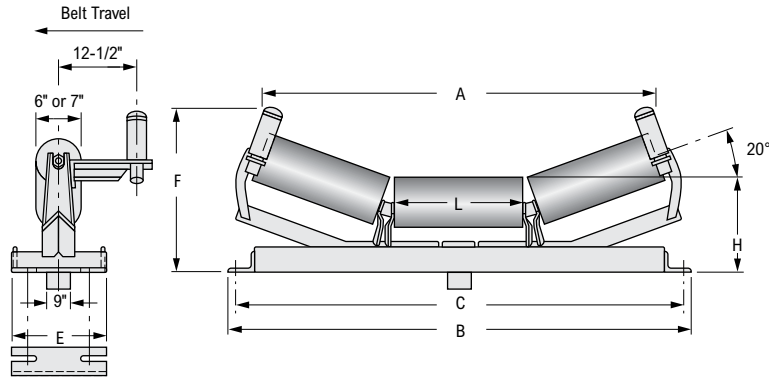
Dimensions (in) — Average Weight (lb)

Belt Width	Product Number	6" Roll				Idler Weight	7" Roll				B	C	E	L
		A	F	H			Product Number	A	F	H				
36	36-DE6202-02	39-3/4	15-3/8	10-3/4	182	36-DE7202-02	39-3/8	15-7/8	11-1/4	186	49	45	12	13
42	42-DE6202-02	45-1/2	16-1/16	10-3/4	206	42-DE7202-02	45-1/8	16-9/16	11-1/4	209	54-3/4	51	12	15
48	48-DE6202-02	53-7/16	17	10-3/4	240	48-DE7202-02	53-1/16	17-1/2	11-1/4	242	62-5/8	57	12	17-3/4
54	54-DE6202-02	59-3/16	17-11/16	10-3/4	263	54-DE7202-02	58-7/8	18-3/16	11-1/4	266	68-3/8	63	12	19-3/4
60	60-DE6202-02	64-15/16	18-3/8	10-3/4	283	60-DE7202-02	64-9/16	18-7/8	11-1/4	286	74-1/4	69	12	21-3/4
66	66-DE6202-02	70-11/16	19-13/16	11-1/2	329	66-DE7202-02	70-5/16	20-1/4	12	333	79-7/8	75	12	23-3/4
72	72-DE6202-02	76-7/16	20-1/2	11-1/2	383	72-DE7202-02	76-1/8	20-15/16	12	385	85-7/8	81	12	25-3/4
84	84-DE6202-02	87-15/16	21-15/16	11-5/8	516	84-DE7202-02	87-9/16	22-7/16	12-1/8	521	97-1/4	93	14-1/2	29-3/4
96	96-DE6202-02	99-1/2	23-5/16	11-5/8	583	96-DE7202-02	99-1/8	23-13/16	12-1/8	590	108-3/4	105	14-1/2	33-3/4

Series E Dimensions

20° Troughing Training Idler — Equal Length Rolls

Positive Arm Type — Belt Travel One Direction Only

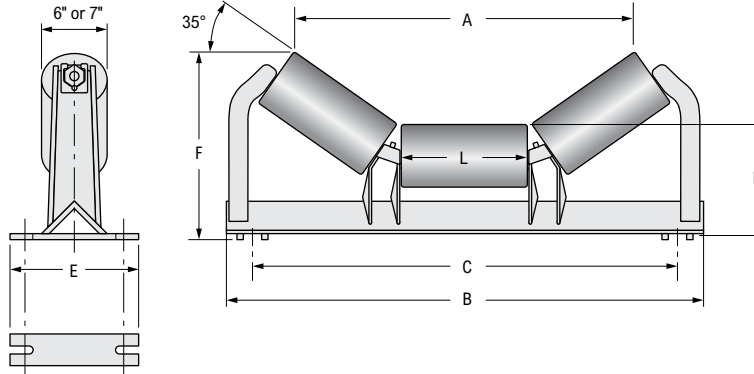


Dimensions (in) — Average Weight (lb)

Belt Width	6" Roll					7" Roll					B	C	E	L
	Product Number	A	F	H	Idler Weight	Product Number	A	F	H	Idler Weight				
36	36-DE6212-02	39-3/4	15-3/4	11-1/8	192	36-DE7212-02	39-3/8	16-1/4	11-5/8	199	47-1/2	45	16	13
42	42-DE6212-02	45-1/2	16-1/2	11-1/8	208	42-DE7212-02	45-1/8	16-7/8	11-5/8	216	53-1/2	51	16	15
48	48-DE6212-02	53-7/16	17-3/8	11-1/8	245	48-DE7212-02	53-1/16	17-13/16	11-5/8	254	59-1/2	57	16	17-3/4
54	54-DE6212-02	59-3/16	18-1/16	11-1/8	264	54-DE7212-02	58-7/8	18-9/16	11-5/8	275	65-1/2	63	16	19-3/4
60	60-DE6212-02	64-15/16	18-3/4	11-1/8	285	60-DE7212-02	64-9/16	19-1/4	11-5/8	296	71-1/2	69	16	21-3/4
66	66-DE6212-02	70-5/8	20-9/16	12-1/4	305	66-DE7212-02	70-1/4	21-1/16	12-3/4	318	77-1/2	75	16	23-3/4
72	72-DE6212-02	76-7/16	21-1/4	12-1/4	336	72-DE7212-02	76-1/8	21-3/4	12-3/4	348	83-1/2	81	16	25-3/4
84	84-DE6212-02	87-15/16	22-5/8	12-1/4	372	84-DE7212-02	87-9/16	23-1/16	12-3/4	386	95-1/2	93	16	29-3/4
96	96-DE6212-02	99-1/2	24	12-1/4	411	96-DE7212-02	99-1/8	24-7/16	12-3/4	428	107-1/2	105	16	33-3/4

Series E Dimensions

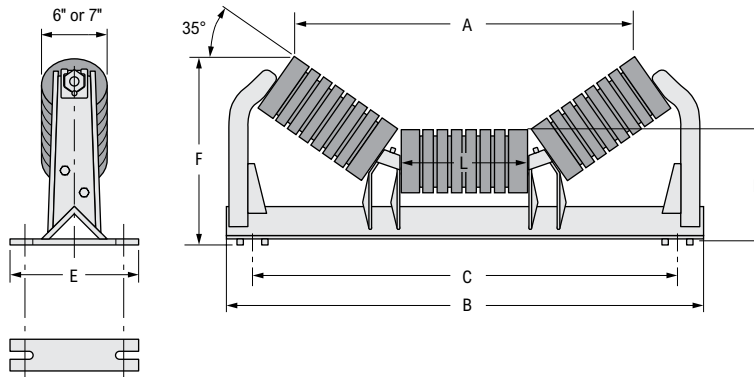
35° Troughing Idler — Equal Length Rolls



Dimensions (in) — Average Weight (lb)

Belt Width	Product Number	6" Roll				Idler Weight	7" Roll				B	C	E	L
		A	F	H	Idler Weight		Product Number	A	F	H				
36	36-DE6300-02	35-3/8	18-5/16	10-3/4	134	36-DE7300-02	34-3/4	18-3/4	11-1/4	142	49	45	12	13
42	42-DE6300-02	40-5/8	19-1/2	10-3/4	147	42-DE7300-02	40-1/16	19-7/8	11-1/4	155	54-3/4	51	12	15
48	48-DE6300-02	47-7/8	21-1/16	10-3/4	163	48-DE7300-02	47-5/16	21-1/2	11-1/4	173	62-5/8	57	12	17-3/4
54	54-DE6300-02	53-3/16	22-1/4	10-3/4	175	54-DE7300-02	52-5/8	22-5/8	11-1/4	186	68-3/8	63	12	19-3/4
60	60-DE6300-02	58-7/16	23-3/8	10-3/4	188	60-DE7300-02	57-7/8	23-3/4	11-1/4	199	74-1/4	69	12	21-3/4
66	66-DE6300-02	63-3/4	25-1/4	11-1/2	224	66-DE7300-02	63-1/8	25-11/16	12	236	79-7/8	75	12	23-3/4
72	72-DE6300-02	69	26-7/16	11-1/2	239	72-DE7300-02	68-7/16	26-13/16	12	251	85-7/8	81	12	25-3/4
84	84-DE6300-02	79-9/16	28-13/16	11-5/8	311	84-DE7300-02	78-15/16	29-3/16	12-1/8	325	97-1/4	93	14-1/2	29-3/4
96	96-DE6300-02	90-1/8	31-1/8	11-5/8	346	96-DE7300-02	89-1/2	31-1/2	12-1/8	362	108-3/4	105	14-1/2	33-3/4

35° Troughing Impact Idler — Equal Length Rolls



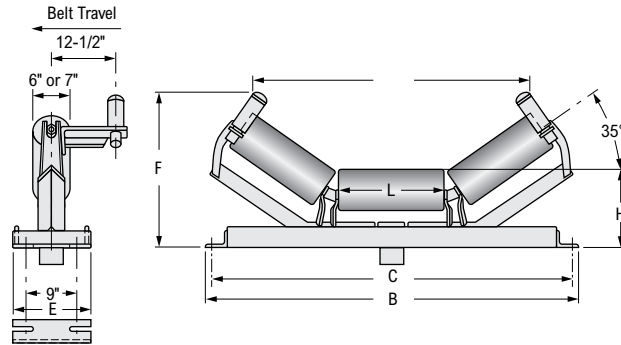
Dimensions (in) — Average Weight (lb)

Belt Width	Product Number	6" Roll				Idler Weight	7" Roll				B	C	E	L
		A	F	H	Idler Weight		Product Number	A	F	H				
36	36-DE6302-02	35-3/8	18-5/16	10-3/4	187	36-DE7302-02	34-3/4	18-3/4	11-1/4	190	49	45	12	13
42	42-DE6302-02	40-5/8	19-1/2	10-3/4	211	42-DE7302-02	40-1/16	19-7/8	11-1/4	214	54-3/4	51	12	15
48	48-DE6302-02	47-7/8	21-1/16	10-3/4	243	48-DE7302-02	47-5/16	21-1/2	11-1/4	247	62-5/8	57	12	17-3/4
54	54-DE6302-02	53-3/16	22-1/4	10-3/4	268	54-DE7302-02	52-5/8	22-5/8	11-1/4	271	68-3/8	63	12	19-3/4
60	60-DE6302-02	58-7/16	23-3/8	10-3/4	289	60-DE7302-02	57-7/8	23-3/4	11-1/4	292	74-1/4	69	12	21-3/4
66	66-DE6302-02	63-3/4	25-1/4	11-1/2	336	66-DE7302-02	63-1/8	25-11/16	12	339	79-7/8	75	12	23-3/4
72	72-DE6302-02	69	26-7/16	11-1/2	389	72-DE7302-02	68-7/16	26-13/16	12	391	85-7/8	81	12	25-3/4
84	84-DE6302-02	79-9/16	28-13/16	11-5/8	523	84-DE7302-02	78-15/16	29-3/16	12-1/8	527	97-1/4	93	14-1/2	29-3/4
96	96-DE6302-02	90-1/8	31-1/8	11-5/8	591	96-DE7302-02	89-1/2	31-1/2	12-1/8	598	108-3/4	105	14-1/2	33-3/4

Series E Dimensions

35° Troughing Training Idler — Equal Length Rolls

Positive Arm Type — Belt Travel One Direction Only

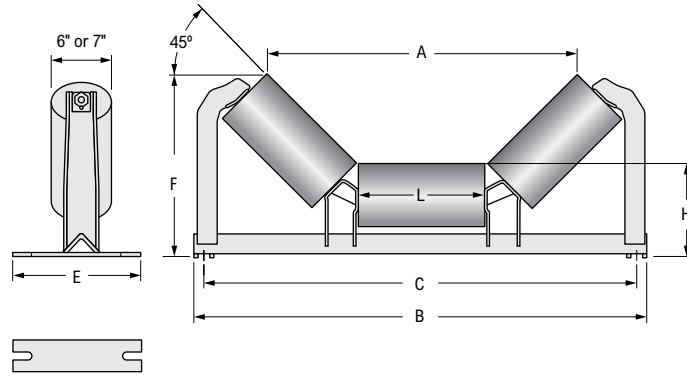


Dimensions (in) — Average Weight (lb)

Belt Width	6" Roll					7" Roll					B	C	E	L
	Product Number	A	F	H	Idler Weight	Product Number	A	F	H	Idler Weight				
36	36-DE6312-02	35-3/8	18-3/4	11-1/8	194	36-DE7312-02	47-5/16	19-1/8	11-5/8	201	47-1/2	45	16	13
42	42-DE6312-02	40-5/8	19-7/8	11-1/8	211	42-DE7312-02	40-1/16	20-1/4	11-5/8	218	53-1/2	51	16	15
48	48-DE6312-02	47-7/8	21-7/16	11-1/8	247	48-DE7312-02	57-5/16	21-7/8	11-5/8	257	59-1/2	57	16	17-3/4
54	54-DE6312-02	53-3/16	22-9/16	11-1/8	267	54-DE7312-02	52-5/8	21-7/8	11-5/8	278	65-1/2	63	16	19-3/4
60	60-DE6312-02	58-7/16	23-3/4	11-1/8	288	60-DE7312-02	57-7/8	24-3/16	11-5/8	299	71-1/2	69	16	21-3/4
66	66-DE6312-02	63-3/4	26-1/16	12-1/4	309	66-DE7312-02	63-3/16	26-1/2	12-3/4	320	77-1/2	75	16	23-3/4
72	72-DE6312-02	69	27-3/16	12-1/4	364	72-DE7312-02	68-7/16	27-9/16	12-3/4	376	83-1/2	81	16	25-3/4
84	84-DE6312-02	79-9/16	29-7/16	12-1/4	406	84-DE7312-02	78-15/16	29-7/8	12-3/4	420	95-1/2	93	16	29-3/4
96	96-DE6312-02	90-1/8	31-3/4	12-1/4	449	96-DE7312-02	89-1/2	32-1/8	12-3/4	465	107-1/2	105	16	33-3/4

Series E Dimensions

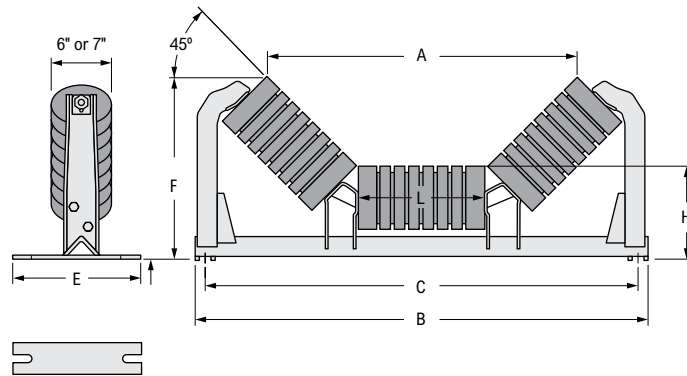
45° Troughing Idler — Equal Length Rolls



Dimensions (in) — Average Weight (lb)

Belt Width	6" Roll					7" Roll					B	C	E	L
	Product Number	A	F	H	Idler Weight	Product Number	A	F	H	Idler Weight				
36	36-DE6400-02	32-9/16	20-1/8	10-3/4	137	36-DE7400-02	31-7/8	20-1/2	11-1/4	146	49	45	12	13
42	42-DE6400-02	37-3/8	21-9/16	10-3/4	151	42-DE7400-02	36-11/16	21-7/8	11-1/4	160	54-3/4	51	12	15
48	48-DE6400-02	44-1/16	23-1/2	10-3/4	167	48-DE7400-02	43-5/16	23-7/8	11-1/4	178	62-5/8	57	12	17-3/4
54	54-DE6400-02	48-7/8	24-15/16	10-3/4	179	54-DE7400-02	48-1/8	25-1/4	11-1/4	191	68-3/8	63	12	19-3/4
60	60-DE6400-02	53-11/16	26-5/16	10-3/4	193	60-DE7400-02	52-15/16	26-11/16	11-1/4	205	74-1/4	69	12	21-3/4
66	66-DE6400-02	58-9/16	28-1/2	11-1/2	229	66-DE7400-02	57-13/16	28-13/16	12	219	79-7/8	78	12	23-3/4
72	72-DE6400-02	63-3/8	29-7/8	11-1/2	245	72-DE7400-02	62-5/8	30-1/4	12	259	85-7/8	81	12	25-3/4
84	84-DE6400-02	73	32-13/16	11-5/8	317	84-DE7400-02	72-5/16	33-3/16	12-1/8	369	97-1/4	93	14-1/2	29-3/4
96	96-DE6400-02	82-5/8	35-11/16	11-5/8	353	96-DE7400-02	81-15/16	36	12-1/8	410	108-3/4	105	14-1/2	33-3/4

45° Troughing Impact Idler — Equal Length Rolls

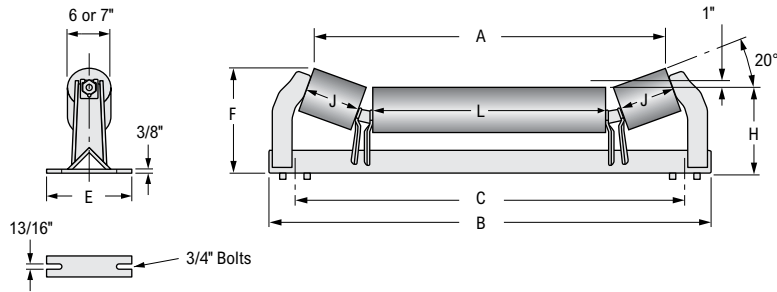


Dimensions (in) — Average Weight (lb)

Belt Width	6" Roll					7" Roll					B	C	E	L
	Product Number	A	F	H	Idler Weight	Product Number	A	F	H	Idler Weight				
36	36-DE6402-02	32-9/16	20-1/8	10-3/4	191	36-DE7402-02	31-7/8	20-1/2	11-1/4	194	49	45	12	13
42	42-DE6402-02	37-3/8	21-9/16	10-3/4	216	42-DE7402-02	36-11/16	21-7/8	11-1/4	218	54-3/4	51	12	15
48	48-DE6402-02	44-1/16	23-1/2	10-3/4	249	48-DE7402-02	43-5/16	23-7/8	11-1/4	251	62-5/8	57	12	17-3/4
54	54-DE6402-02	48-7/8	24-15/16	10-3/4	273	54-DE7402-02	48-1/8	25-1/4	11-1/4	275	68-3/8	63	12	19-3/4
60	60-DE6402-02	53-11/16	26-5/16	10-3/4	293	60-DE7402-02	52-15/16	26-11/16	11-1/4	297	74-1/4	69	12	21-3/4
66	66-DE6402-02	58-9/16	28-1/2	11-1/2	341	66-DE7402-02	57-13/16	28-13/16	12	344	79-7/8	75	12	23-3/4
72	72-DE6402-02	63-3/8	29-7/8	11-1/2	394	72-DE7402-02	62-5/8	30-1/4	12	397	85-7/8	81	12	25-3/4
84	84-DE6402-02	73	32-13/16	11-5/8	528	84-DE7402-02	72-5/16	33-3/16	12-1/8	533	97-1/4	93	14-1/2	29-3/4
96	96-DE6402-02	82-5/8	35-11/16	11-5/8	598	96-DE7402-02	81-15/16	36	12-1/8	604	108-3/4	105	14-1/2	33-3/4

Series E Dimensions

20° Troughing Training Idler — Unequal Length Rolls



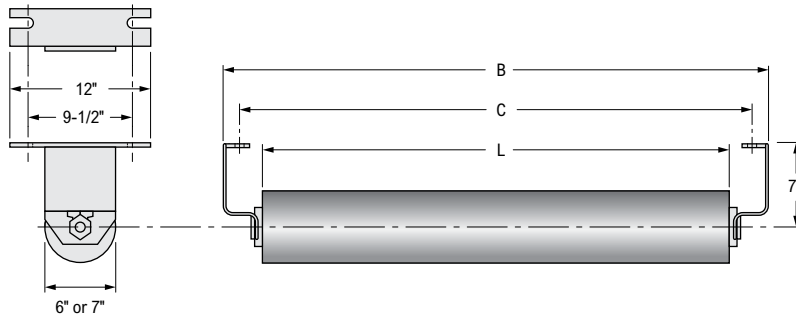
Dimensions (in) — Average Weight (lb)

Belt Width	6" Roll					7" Roll					B	C	E	J	L
	Product Number	A	F	H	Idler Weight	Product Number	A	F	H	Idler Weight					
36	36-DE6201-02	40-3/16	13-1/2	10-3/4	129	36-DE7201-02	39-13/16	13-15/16	11-1/4	134	49-3/8	45	12	7-1/2	23-3/4
42	42-DE6201-02	46-3/16	13-1/2	10-3/4	140	42-DE7201-02	45-13/16	13-15/16	11-1/4	146	55-3/8	51	12	7-1/2	29-3/4
48	48-DE6201-02	52-3/16	13-1/2	10-3/4	151	48-DE7201-02	51-13/16	13-15/16	11-1/4	158	61-3/8	57	12	7-1/2	35-3/4
54	54-DE6201-02	58-3/16	13-1/2	10-3/4	163	54-DE7201-02	57-13/16	13-15/16	11-1/4	171	67-3/8	63	12	7-1/2	41-3/4
60	60-DE6201-02	64-3/16	13-1/2	10-3/4	173	60-DE7201-02	63-13/16	13-15/16	11-1/4	183	73-3/8	69	12	7-1/2	47-3/4
66	66-DE6201-02	70-1/8	14-1/4	11-1/2	210	66-DE7201-02	69-3/4	14-3/4	12	219	79-3/8	75	12	7-1/2	53-3/4
72	72-DE6201-02	76-1/8	14-1/4	11-1/2	223	72-DE7201-02	75-3/4	14-3/4	12	233	85-3/8	81	12	7-1/2	59-3/4
84	84-DE6201-02	88-1/8	14-3/8	11-5/8	297	84-DE7201-02	87-3/4	14-13/16	12-1/8	309	97-3/8	93	14-1/2	7-1/2	71-3/4
96	96-DE6201-02	100-1/8	14-3/8	11-5/8	329	96-DE7201-02	99-3/4	14-13/16	12-1/8	344	109-3/8	105	14-1/2	7-1/2	83-3/4

① Location of head pulley in relation to idler center roll.

Series E Dimensions

Return Idler



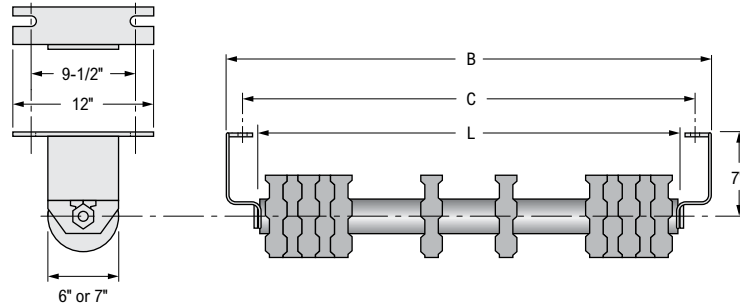
Dimensions (in) — Average Weight (lb)

Belt Width	6" Roll		7" Roll		B	C	L
	Product Number	Idler Weight	Product Number	Idler Weight			
36	36-DE6040-02	77	36-DE7040-02	82	48	45	40
42	42-DE6040-02	84	42-DE7040-02	92	54	51	46
48	48-DE6040-02	92	48-DE7040-02	101	60	57	52
54	54-DE6040-02	100	54-DE7040-02	110	66	63	58
60	60-DE6040-02	108	60-DE7040-02	118	72	69	64
66	66-DE6040-02	116	66-DE7040-02	127	78	75	70
72	72-DE6040-02	124	72-DE7040-02	136	84	81	76
84	84-DE6040-02	140	84-DE7040-02	154	96	93	88
96	96-DE6040-02	155	96-DE7040-02	171	108	105	100
102	102-DE6040-02	164	102-DE7040-02	180	114	111	106

Disc Return Idler

Belt Travel Either Direction

Available in rubber discs.



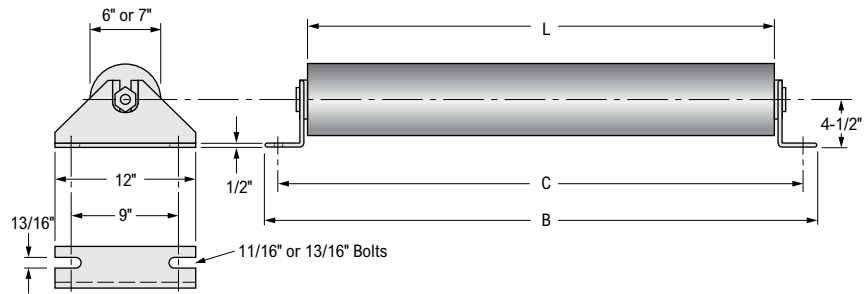
Five discs on each end is standard.

Dimensions (in) — Average Weight (lb)

Belt Width	6" Roll		7" Roll		B	C	L
	Product Number	Idler Weight	Product Number	Idler Weight			
36	36-DE6043-02	110	36-DE7043-02	112	48	45	40
42	42-DE6043-02	123	42-DE7043-02	125	54	51	46
48	48-DE6043-02	135	48-DE7043-02	139	60	57	52
54	54-DE6043-02	148	54-DE7043-02	152	66	63	58
60	60-DE6043-02	161	60-DE7043-02	165	72	69	64
66	66-DE6043-02	174	66-DE7043-02	178	78	75	70
72	72-DE6043-02	186	72-DE7043-02	191	84	81	76
84	84-DE6043-02	212	84-DE7043-02	217	96	93	88
96	96-DE6043-02	238	96-DE7043-02	244	108	105	100
102	102-DE6043-02	251	102-DE7043-02	257	114	111	106

Series E Dimensions

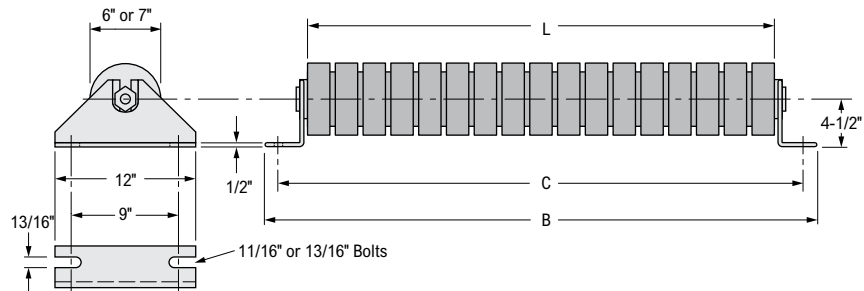
Flat Steel Idler



Dimensions (in) — Average Weight (lb)

Belt Width	6" Roll		7" Roll		B	C	L
	Product Number	Idler Weight	Product Number	Idler Weight			
36	36-DE6020-02	72	36-DE7020-02	78	47	45	40
42	42-DE6020-02	80	42-DE7020-02	88	53	51	46
48	48-DE6020-02	87	48-DE7020-02	96	59	57	52
54	54-DE6020-02	96	54-DE7020-02	105	65	63	58
60	60-DE6020-02	103	60-DE7020-02	114	71	69	64
66	66-DE6020-02	112	66-DE7020-02	122	77	75	70
72	72-DE6020-02	119	72-DE7020-02	132	83	81	76
84	84-DE6020-02	135	84-DE7020-02	149	95	93	88
96	96-DE6020-02	151	96-DE7020-02	167	107	105	100
102	102-DE6020-02	160	102-DE7020-02	176	113	111	106

Flat Rubber Idler



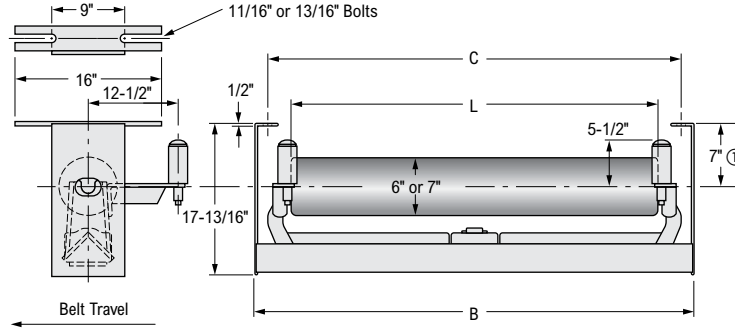
Dimensions (in) — Average Weight (lb)

Belt Width	6" Roll		7" Roll		B	C	L
	Product Number	Idler Weight	Product Number	Idler Weight			
36	36-DE6025-02	122	36-DE7025-02	111	47	45	40
42	42-DE6025-02	136	42-DE7025-02	125	53	51	46
48	48-DE6025-02	150	48-DE7025-02	139	59	57	52
54	54-DE6025-02	163	54-DE7025-02	153	65	63	58
60	60-DE6025-02	177	60-DE7025-02	167	71	69	64
66	66-DE6025-02	191	66-DE7025-02	181	77	75	70
72	72-DE6025-02	195	72-DE7025-02	195	83	81	76
84	84-DE6025-02	219	84-DE7025-02	224	95	93	88
96	96-DE6025-02	245	96-DE7025-02	251	107	105	100
102	102-DE6025-02	259	102-DE7025-02	266	113	111	106

Series E Dimensions

Return Training Idler

Positive Arm Type — Belt Travel One Direction Only



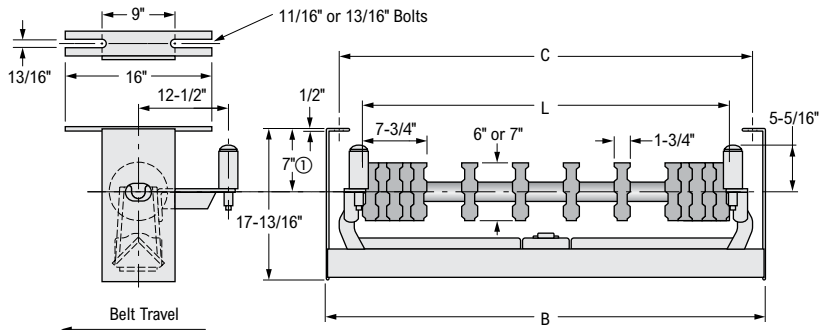
Dimensions (in) — Average Weight (lb)

Belt Width	6" Roll		7" Roll		B	C	L
	Product Number	Idler Weight	Product Number	Idler Weight			
36	36-DE6052-02	238	36-DE7052-02	244	50-1/2	45	40
42	42-DE6052-02	253	42-DE7052-02	260	56-1/2	51	46
48	48-DE6052-02	270	48-DE7052-02	279	62-1/2	57	52
54	54-DE6052-02	285	54-DE7052-02	294	68-1/2	63	58
60	60-DE6052-02	302	60-DE7052-02	313	74-1/2	69	64
66	66-DE6052-02	323	66-DE7052-02	333	80-1/2	75	70
72	72-DE6052-02	329	72-DE7052-02	342	86-1/2	81	76
84	84-DE6052-02	361	84-DE7052-02	375	98-1/2	93	88
96	96-DE6052-02	388	96-DE7052-02	404	110-1/2	105	100

① 1-3/4" or 4-1/4" can be furnished for wide base idlers.

Disc Return Training Idler

Positive Arm Type — Belt Travel One Direction Only



Five discs on each end is standard.

Dimensions (in) — Average Weight (lb)

Belt Width	6" Roll		7" Roll		B	C	L
	Product Number	Idler Weight	Product Number	Idler Weight			
36	36-DE6056-02	271	36-DE7056-02	274	50-1/2	45	40
42	42-DE6056-02	292	42-DE7056-02	293	56-1/2	51	46
48	48-DE6056-02	313	48-DE7056-02	318	62-1/2	57	52
54	54-DE6056-02	333	54-DE7056-02	349	68-1/2	63	58
60	60-DE6056-02	355	60-DE7056-02	370	74-1/2	69	64
66	66-DE6056-02	380	66-DE7056-02	393	80-1/2	75	70
72	72-DE6056-02	391	72-DE7056-02	397	86-1/2	81	76
84	84-DE6056-02	433	84-DE7056-02	438	98-1/2	93	88
96	96-DE6056-02	471	96-DE7056-02	477	110-1/2	105	100

① 1-3/4" or 4-1/4" can be furnished for wide base idlers.

Rex Classic Idlers Complete Roll Assemblies

To order complete roll assemblies, specify:

Steel Roll Assembly

Idler Model Number

Regreasable or Factory-Sealed

(If Model Number is not known, specify idler series, belt width, roll diameter and length)



Steel Roll

Impact Roll Assembly

Idler Model Number

Regreasable or Factory-Sealed

(If Model Number is not known, specify idler series, belt width, roll diameter and length)



Impact Roll

Spiral Roll Assembly

Idler Model Number

Regreasable or Factory-Sealed

(If Model Number is not known, specify idler series, belt width and roll diameter)

Spiral Clincher Strip Only

Idler Series

(Available in 50-foot coils only)



Spiral Return Roll

Disc Roll Assembly

Idler Model Number

Regreasable or Factory Sealed

(If Model Number is not known, specify idler series, belt width and roll diameter)

Discs Only

Idler Series and Roll Diameter

Rubber



Disc Roll

Urethane-Covered Roll Assembly

Idler Model Number

Regreasable or Factory-Sealed

(If Model Number is not known, specify idler series, belt width, roll diameter and length)

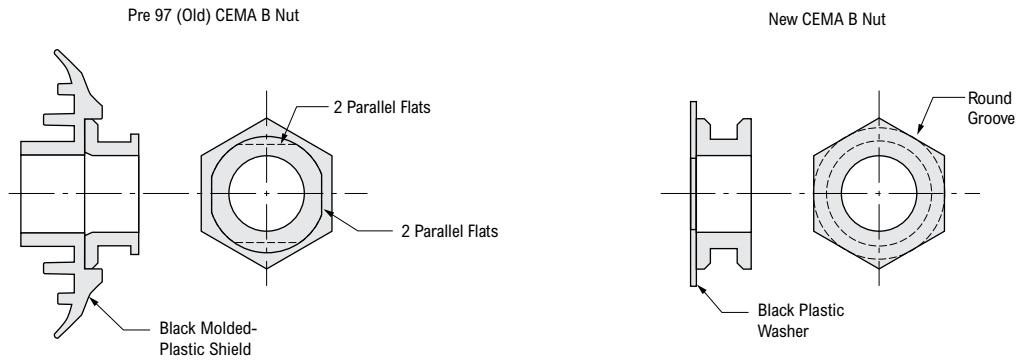


Urethane-Covered Roll

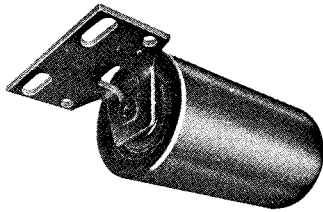
Rex Classic Brackets

Series B (Old Pre 97)

Idler Identification Brackets

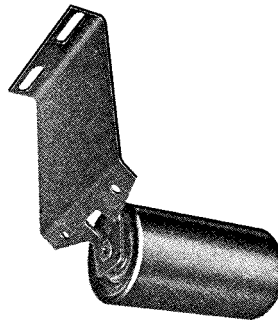


(Old Style) Drop Brackets Series B



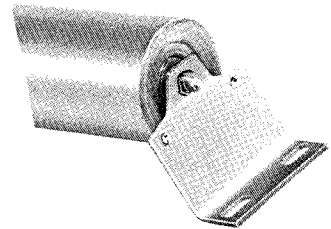
Standard 1-1/2" Drop (shown)

Part No. 111-20130-01
Optional 3" Drop
Part No. 111-20083-01



Optional 11-3/4" Drop (shown)

Part No. 111-20132-01
Optional 4-1/4" Drop
Part No. 111-20131-01



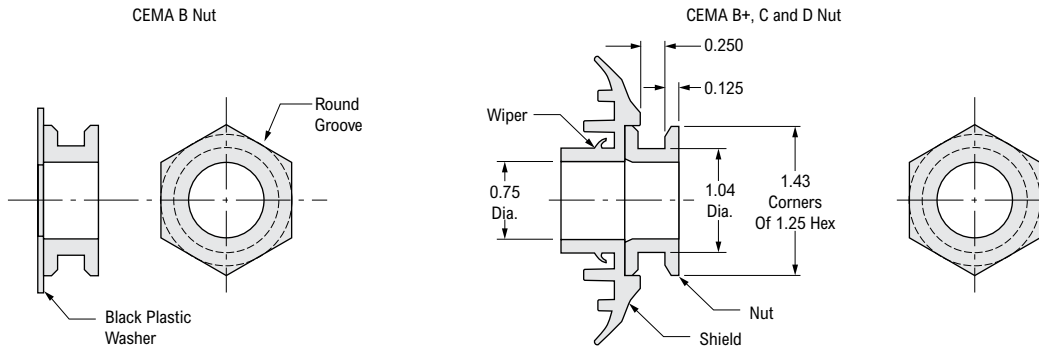
Standard 4-1/4" Rise/Drop Combination

Part No. 111-20084-01
Optional 1-1/2" Rise Part No. 111-20082-01
Optional 3" Rise Part No. 111-20083-01

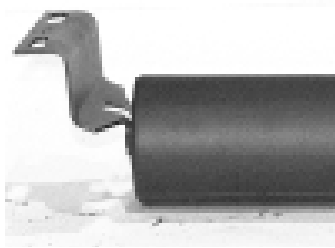
Rex Classic Brackets

Series B+, C and D

Idler Identification, Brackets and Seal Kits



Drop Brackets Series B+, C and D

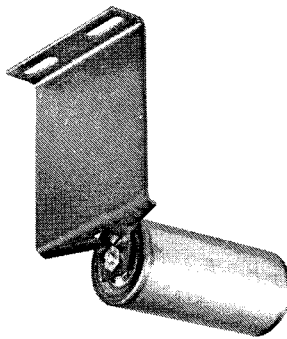


Standard C and D 4-1/2" Drop (shown)

Part No. 101-60672-1

Standard B+ 1-1/2" Drop

Part No. 101-60671-1



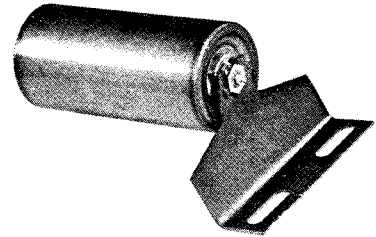
Optional 11-3/4" Drop (shown)

Part No. 101-60672-2

Optional 16-1/2" Drop

Part No. 101-60672-9

Rise Brackets Series B+, C and D



Standard 4-1/4" Rise

Part No. 101-60676-1

Reverse Drop Bracket Series B+, C and D



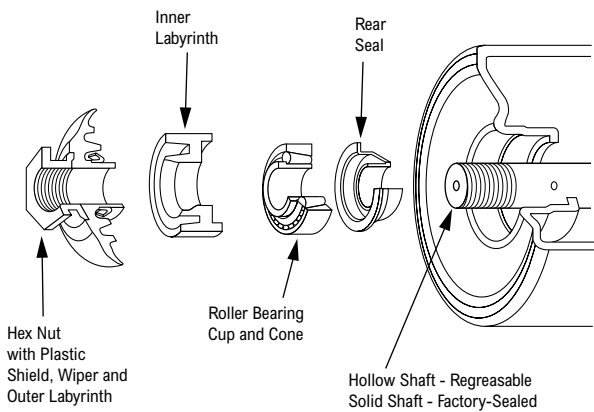
4-1/2" Drop Only

These brackets are used to allow more belt fleet.

Part No. 101-60673-5

To order, specify

Part #611-21084-01



For spiral and disc rolls – order kit 611-21084-02

Rex Idlers Weights

Weight of Rotating Parts for Steel Rolls

The weights of rotating parts of the idler rolls are used in determining the additional forces required to overcome roller friction. For convenience, the following tabulation of average weights of rotating parts may be used in these calculations. The weights listed include only the rotating parts of the carrying and return rolls.

Series No.	Roll Diameter	Belt Width (in)	Troughing Idlers (lb)	Flat or Return Idlers (lb)
B	4-inch	18	13.42	11.58
		20	14.43	12.59
		24	16.46	14.62
		30	19.50	17.66
		36	22.55	20.71
		42	25.59	23.75
		48	28.64	26.80
B	5-inch	18	16.18	14.70
		20	17.46	15.98
		24	20.02	18.54
		30	23.85	22.37
		36	27.69	26.21
		42	31.52	30.04
		48	35.36	33.88
B+, C and D	5-inch	18	18.61	15.21
		20	19.90	16.50
		24	22.47	19.07
		30	26.33	22.93
		36	30.19	26.79
		42	34.05	30.65
		48	37.91	34.51
		54	41.77	38.37
		60	45.63	42.23
C and D	6-inch	18	23.10	20.26
		20	24.81	21.97
		24	28.24	25.40
		30	33.38	30.54
		36	38.52	35.68
		42	43.66	40.82
		48	48.81	45.97
		54	53.95	51.11
		60	59.09	56.25
E	6-inch	36	62.6	54.8
		42	70.3	62.5
		48	78.0	70.1
		54	85.7	77.8
		60	93.4	85.5
		72	108.7	100.8
		84	124.0	116.2
		96	139.4	131.5
F	7-inch	36	60.8	60.1
		42	69.8	69.1
		48	78.9	78.1
		54	87.9	87.1
		60	96.9	96.1
		72	114.9	114.2
		84	132.9	132.2
		96	150.9	150.2

Determination of Belt Width and Speed

Selection of Belt Conveyor Idlers

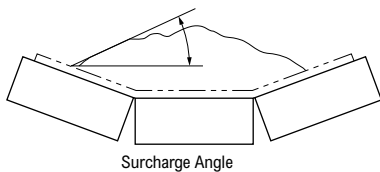
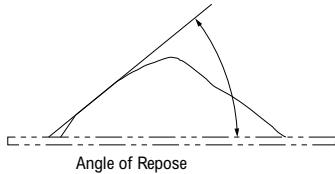
Belt width and belt speed can be determined by using the material characteristics and required conveyor capacity.

Basis for Selection

Required Conveyor Capacity — Amount of material to be handled (tons per hour). This figure should reflect peak or surge volume rather than average volume.

Material Characteristics — A precise description of the material to be handled. The description should include the following:

1. Material Weight — In pounds per cubic foot. (Table 1, pages 120-122)
2. Maximum Lump Size — (largest measurement) and percentage of lumps and fines.
3. Flowability of the Material — Free-flowing, average or sluggish.
4. Abrasiveness of Material — Non-abrasive, mildly abrasive or very abrasive. (Table 1, pages 120-122).
5. Corrosiveness of Material — Non-corrosive, mildly corrosive or very corrosive. (Table 1, pages 120-122).
6. Surcharge Angle — This is the angle from the horizontal assumed by the conveyed material as it is carried on a belt passing over idlers. The surcharge angle is normally 5° to 15° less than the angle of repose.
7. Angle of Repose — This is the angle from the horizontal assumed by the material in a freely formed pile on a horizontal surface.



Selection Procedure

1. From Table 2, Table 3 or Table 4 (pages 123-125) — Determine the **minimum belt width** based on lump size, surcharge angle and percentage of lumps and fines. (The minimum belt width is the same for any troughing angle.) Read down the appropriate right-hand column until the required lump size is reached — then read across to the left-hand column for minimum belt width.
2. From Table 2, Table 3 or Table 4 (pages 123-125) — Refer to the footnotes and select the symbol which most closely represents the material to be conveyed, based on flowability and abrasiveness.

Next, determine the design capacity. The capacities shown in the tables are based on material weight of 100 pounds per cubic foot. For other materials, use the following formula to convert required capacity to design capacity:

$$\frac{100 \times \text{Required Capacity (TPH)}}{\text{Actual Material Wgt. (lbs/cu.ft.)}} = \frac{\text{Design Capacity}}{\text{(TPH)}}$$

To find **maximum belt speed**, enter the table at the belt width from paragraph 1 and read to the right until the selected symbol is reached. Then read down — following the selected symbol across columns if necessary — to the required design capacity at the proper surcharge angle. Normal belt speed is usually 100–200 fpm less than the maximum.

3. To determine **optimum** belt width and speed, deduct at least 100 fpm and increase belt width as required.

NOTES: Do not select any belt width narrower than minimum belt width determined in Step 1. Do not select any belt speed faster than maximum belt speed determined in Step 2. A minimum belt speed of 300 fpm is recommended for proper discharge from 35° and 45° troughed belts.

Rex Idlers Materials

Weights and Conveying Characteristics of Materials

Table 1A lists CEMA material class descriptions and corresponding codes referred to in **Table 1**. **Table 1** lists typical values. Some materials, particularly ores, vary widely. Weight and angle of repose depend largely on the size distribution in a given material. Degree of aeration may be an important factor in density of very fine material. Angle of repose may increase with the percentage of fines as well as the angularity of the particles. Fines carry most of the moisture content, which is often the controlling factor. For these reasons, the values given can only be approximate.

Table 1A

CEMA Material Class Description

	Material Characteristics	Code
Size	Very fine – 100 mesh and under	A
	Fine – 1/8 inch and under	B
	Granular – under 1/2 inch	C
	Lumpy – containing over 1/2 inch	D
	Irregular – stringy, interlocking, mats together	E
Flowability – Angle of Repose	Very free flowing – angle of repose less than 20°	1
	Free flowing – angle of repose 20° to 30°	2
	Average flowing – angle of repose 30° to 45°	3
	Sluggish – angle of repose 45° and over	4
Abrasiveness	Non-abrasive	5
	Abrasive	6
	Very abrasive	7
	Very sharp – cuts or gouges belt covers	8
Miscellaneous Characteristics (Sometimes more than one of these characteristics may apply.)	Very dusty	L
	Aerates and develops fluid characteristics	M
	Contains explosive dust	N
	Contaminable, affecting use of saleability	P
	Degradable, affecting use of saleability	Q
	Gives off harmful fumes or dust	R
	Highly corrosive	S
	Mildly corrosive	T
	Hygroscopic	U
	Interlocks of mats	V
	Oils or chemicals present – may affect rubber products	W
	Packs under pressure	X
	Very light and fluffy – may be wind swept	Y
Elevated temperature	Z	

Rex Idlers Materials

Table 1

Conveying Properties of Materials
(For Additional Information See CEMA Handbook)

Material	lbs/cu.ft.	Angle of Repose	Recom'd Max. Incln.	Code
Alfalfa meal	17	45°	—	B46Y
Alum, fine	45-50	30-44°	—	B35
Alum, lumpy	50-60	30-44°	—	D35
Alumina	50-65	22°	10-12°	B27M
① Aluminum chips	7-15	45°	—	E46Y
Aluminum hydrate	18	34°	20-24°	C35
Aluminum oxide	70-120	29°	—	A27M
Aluminum silicate	49	30-44°	—	B35S
Aluminum sulphate	54	32°	17°	D35
Ammonium chloride, crystalline	45-52	30-44°	—	B36S
Ammonium nitrate	45	30-44°	—	① C36NUS
Ammonium sulphate, granular	45-58	44°	—	① C35TU
Asbestos, ore or rock	81	30-44°	—	D37R
Asbestos, shred	20-25	45°	—	E46XY
Ashes, coal, dry, 3" and under	35-40	45°	—	D46T
Ashes, coal, wet, 3" and under	45-50	45°	—	D46T
Ashes, fly	40-45	42°	20-25°	A37
Ashes, gas-producer, wet	78	—	—	D47T
Asphalt, binder for paving	80-85	—	—	C45
Asphalt, crushed, 1/2" and under	45	30-44°	—	C35
Bagasse	7-10	45°	—	E45Y
Bakelite and similar plastics, powdered	35-45	45°	—	B45
Barite	180	30-44°	—	B36
Barium carbonate	72	45°	—	A45
Barium oxide	150-200	—	—	A46
① Bark, wood, refuse	10-20	45°	27°	E45VY
Basalt	80-103	20-28°	—	B26
Bauxite, ground, dry	68	20-29°	20°	B26
Bauxite, mine run	80-90	31°	17°	E37
Bauxite, crushed, 3" and under	75-85	30-44°	20°	D37
① Bentonite, crude	35-40	42-44°	—	D36X
Bentonite, 100 mesh and under	50-60	42°	20°	A36XY
Boneblack, 100 mesh and under	20-25	20-29°	—	A25Y
Bonechar	27-40	30-44°	—	B36
Bonemeal	50-60	30-44°	—	B36
Borate of lime	60	30-44°	—	A35
Borax, 1/2" screenings	55-60	30-44°	—	C36
Borax, 3" and under	60-70	30-44°	—	D35
Boric acid, fine	55	20-29°	—	B26T
Brewer's grain, spent, dry	25-30	45°	—	C45
Brewer's grain, spent, wet	55-60	45°	—	C45T
Calcium carbide, crushed	70-80	30-44°	—	D36N
Carbon, activated, dry, fine	8-20	20-29°	—	B26Y
Carbon black, pelletized	20-25	25°	—	B25Q
Carbon black, powder	4-7	30-44°	—	① A35Y
Carborundum, 3" and under	100	20-29°	—	D27
Casein	36	30-44°	—	B35
Cast iron chips	90-120	45°	—	C46
Cement, Portland	72-99	30-44°	20-23°	A36M
Cement, Portland, aerated	60-75	—	—	A16M
Cement, rock (see limestone)	100-110	—	—	D36
Cement clinker	75-95	30-40°	18-20°	D37
Chalk, lumpy	75-85	45°	—	D46
① Charcoal	18-25	35°	20-25°	D36Q
Chrome ore (chromite)	125-140	30-44°	—	D37
Cinders, blast furnace	57	35°	18-20°	① D37T
Cinders, coal	40	35°	20°	① D37T
Clay, calcined	80-100	—	—	B37
Clay, dry, fines	100-120	35°	20-22°	C37
Clay, dry, lumpy	60-75	35°	18-20°	D36
Coal, anthracite, sized	55-60	27°	16°	C26

Material	lbs/cu.ft.	Angle of Repose	Recom'd Max. Incln.	Code
Coal, bituminous, mined 50 mesh and less	50-54	45°	24°	B45T
Coal, bituminous, mined and sized	45-55	35°	16°	D35T
Coal, bituminous, mined, run of mine	45-55	38°	18°	D35T
Coal, bituminous, stripping, not cleaned	50-60	—	—	D36T
Coal, lignite	40-45	38°	22°	D36T
Coke, loose	23-35	30-44°	18°	B37QVT
Coke, petroleum calcined	35-45	30-44°	20°	D36Y
Coke breeze, 1/4" and under	25-35	30-44°	20-22°	C37Y
Compost	30-50	—	—	E45ST
Concrete, cinder	90-100	—	12-30°	D46
Copper ore	120-150	30-44°	20°	① D37
Copper sulfate	75-85	31°	17°	D36
Cork, granulated	12-15	—	—	C45
Corn, shelled	45	21°	10°	C25NW
Cottonseed cake, crushed	40-45	30-44°	—	B35
Cottonseed cake, lumpy	40-45	30-44°	—	D35W
Cottonseed meal	35-40	35°	22°	B35W
Cottonseed meats	40	30-44°	—	B35W
Cryolite, dust	75-90	30-44°	—	A36
Cryolite, lumpy	90-100	30-44°	—	D36
Cullet	80-120	30-44°	20°	D37Z
Diatomaceous earth	11-14	30-44°	—	A36MY
Dicalcium phosphate	40-50	45°	—	A45
Disodium phosphate	25-31	30-44°	—	B36QT
Dolomite, lumpy	80-100	30-44°	22°	D36
Earth, as excavated — dry	70-80	35°	20°	B36
Earth, wet, containing clay	100-110	45°	23°	B46
Ebonite, crushed 1/2" and under	65-70	30-44°	—	C35
Emery	230	20-29°	—	A27
Epson salts	40-50	30-44°	—	B35
Feldspar, 1/2" screenings	70-85	38°	18°	B36
Feldspar, 1-1/2" to 3" lumps	90-110	34°	17°	D36
Ferrous sulfate	50-75	—	—	C36
Filter press mud, sugar factory	70	—	—	A15
Flue dust, boiler house, dry	35-40	20°	—	A17MTY
Fluorspar, 1/2" screenings	85-105	45°	—	C46
Fluorspar, 1-1/2" to 3" lumps	110-120	45°	—	D46
Foundry refuse, old sand cores, etc.	70-100	30-44°	—	D37Z
Fuller's earth, dry	30-35	23°	—	B26
Fuller's earth, oily	60-65	20-29°	—	B26
Fuller's earth, oil filter, burned	40	20-29	—	B26
Fuller's earth, oil filter, raw	35-40	35°	20°	① B26
Glass batch, wool and container	80-100	30-44°	20-22°	D38Z
Glue, pearl	40	25°	11°	C25
Grain, distillery, spent, dry	30	30-44°	—	E35VY
Grain, distillery, spent, wet	40-60	45°	—	C45V
Granite, 1/2" screenings	80-90	20-29°	—	C27
Granite, 1-1/2" to 2" lumps	85-90	20-29°	—	D27
Granite, broken	95-100	30-44°	—	D37
Graphite, flake	40	30-44°	—	C35
Gravel, bank run	90-100	38°	20°	—
Gypsum, 1/2" screenings	70-80	40°	21°	C36
Gypsum, 1-1/2" to 3" lumps	70-80	30°	15°	D36
Guano, dry	70	20-29°	—	B26
Hops, spent, wet	50-55	45°	—	E45T
Ice, crushed	35-45	19°	—	D16
Ilmenite ore	140-160	30-44°	—	B37
Iron ore	100-200	35°	18-20°	① D36
Iron ore pellets	116-130	30-44°	13-15°	D37Q

Rex Idlers Selection

Material	lbs/cu.ft.	Angle of Repose	Recom'd Max. Incln.	Code
Iron sulfide	120-135	30-44°	—	D36
Kaolin clay, 3" and under	63	35°	19°	D36
Lactose	32	30-44°	—	A35PX
Lead arsenate	72	45°	—	B45R
Lead ores	200-270	30°	15°	① B36RT
Lead oxides	60-150	45°	—	B45
Lead oxides, pulverized	200-250	30-44°	—	A36
Lead sulfide	240-260	30-44°	—	A36
Lignite, air-dried	45-55	30-44°	—	① D35
Lime, ground, 1/8" and under	60-65	43°	23°	B35X
① Lime, hydrated, 1/8" and under	40	40°	21°	B35MX
Lime, hydrated, pulverized	32-40	42°	22°	A35MXY
Lime, pebble	53-56	30°	17°	D35
Limestone, agricultural, 1/8" and less	68	30-44°	20°	B36
Limestone, crushed	85-90	38°	18°	C36X
Magnesium chloride	33	40°	—	C45
Magnesium sulfate	40-50	30-44°	—	—
Malt, dry, whole	27-30	20-29°	—	C25N
Malt, wet or green	60-65	45°	—	C45
Manganese dioxide	80	—	—	①
Manganese ore	125-140	39°	20°	① D37
Manganese sulfate	70	30-44°	—	C37
Marble, crushed 1/2" and under	80-95	30-44°	—	D37
Marl	80	30-44°	—	C37
Mica, flakes	17-22	19°	—	B16MY
Mica, ground	13-15	34°	23°	① B36
Milk, malted	30-35	45°	—	A45PX
① Molybdenite, powdered	107	40°	25°	B35
Molybdenum ore	107	40°	—	B36
Nickel-cobalt, sulfate ore	80-150	30-44°	—	① D37T
Oil cake	48-50	45°	—	D45W
Oxalic acid crystals	60	30-44°	—	B35SU
Oyster shells, ground, under 1/2"	50-60	30-44°	—	C36T
Oyster shells, whole	80	30-44°	—	D36TV
Paper pulp stock	40-60	19°	—	① E15MV
Peanuts, in shells	15-24	30-44°	—	D35Q
Peanuts, shelled	35-45	30-44°	—	C35Q
Phosphate, acid, fertilizer	60	26°	13°	B25T
Phosphate, triple super, ground fertilizer	50-55	45°	30°	B45T
Phosphate rock, broken, dry	75-85	25-29°	12-15°	D26
Phosphate rock, pulverized	60	40°	25°	B36
Polystyrene pellets	35	23°	—	B25PQ
Potash salts, sylvite, etc.	80	20-29°	—	B25T
Potassium carbonate	51	20-29°	—	B26
Potassium chloride, pellets	120-130	30-44°	—	C36T
Potassium nitrate	76-80	20-29°	—	C26T
Potassium sulfate	42-48	45°	—	B36X
Pumice, 1/8" and under	40-45	45°	—	B47
Pyrites, iron, 2" to 3" lumps	135-145	20-29°	—	D26T
Pyrites, pellets	120-130	30-44°	—	C36T
Quartz, 1/2" screenings	80-90	20-29°	—	C27Z
Quartz, 1-1/2" to 3" lumps	85-95	20-29°	—	D27Z
Rock, crushed	125-145	20-29°	—	D26
Rock, soft, excavated with shovel	100-110	30-44°	22°	D36
Rubber, pelletized	50-55	35°	22°	D35
Rubber, reclaim	25-30	32°	18°	D35
Salicylic acid	29	—	—	B25U
Salt, common dry, coarse	40-55	—	18-22°	C36TU
Salt, common dry, fine	70-80	25°	11°	D26TUW
Salt cake, dry, coarse	85	36°	21°	B36TW
Salt cake, dry, pulverized	60-85	20-29°	—	B26NT
Sand, bank, damp	105-130	45°	20-22°	B47
Sand, bank, dry	90-110	35°	16-18°	B37
Sand, core	65	41°	26°	B35X
Sand, foundry, prepared	80-90	30-44°	24°	B37
Sand, foundry, shakeout	90-100	39°	22°	D37
Sand, silica, dry	90-100	20-29°	10-15°	B27

Material	lbs/cu.ft.	Angle of Repose	Recom'd Max. Incln.	Code
Sandstone, broken	85-90	30-44°	—	D37
Sawdust	10-13	36°	22°	① B35
Sewage sludge, moist	55	30-44°	—	B36
Shale, broken	90-100	20-29°	—	D26QZ
Shale, crushed	85-90	39°	22°	C36
Shellac	80	45°	—	C45
Shellac, powdered or granulated	31	—	—	B35PY
Sinter	100-135	35°	—	① D37
Slag, blast furnace, crushed	80-90	25°	10°	A27
Slag, furnace, granular, dry	60-65	25°	13-16°	C27
Slag, furnace, granular, wet	90-100	45°	20-22°	B47
Slate, crushed, 1/2" and under	80-90	28°	15°	C36
Slate, 1-1/2" to 3" lumps	85-95	—	—	D26
Soap beads or granules	15-25	30-44°	—	C35Q
Soda ash, briquettes	50	22°	7°	C26
Soda ash, heavy	55-65	32°	19°	B36
Soda ash, light	20-35	37°	22°	A36Y
Sodium aluminate, ground	72	30-44°	—	B36
Sodium aluminum sulfate	75	30-44°	—	A36
Sodium antimonate, crushed	49	31°	—	C36
Sodium nitrate	70-80	24°	11°	① D25
Sodium phosphate	50-65	37°	—	B36
Soybeans, whole	45-50	21-28°	12-16°	C27NW
Starch	25-50	24°	12°	① B25
Steel chips, crushed	100-150	30-44°	—	D37WZ
Steel trimmings	75-150	35°	18°	E37V
Sugar, raw, cane	55-65	45°	—	B46TX
Sugar, refined, granulated, dry	50-55	30-44°	—	B35PU
Sugar, refined, granulated, wet	55-65	30-44°	—	C35X
Sugar, beet pulp, dry	12-15	20-29°	—	C26
Sugar, beet pulp, wet	25-45	20-29°	—	C26X
Sugar cane, knifed	15-18	45°	—	E45V
Sulfate, crushed, 1/2" and under	50-60	30-44°	20°	C35NS
Sulfate, 3" and under	80-85	30-44°	18°	D35NS
Taconite, pellets	116-130	30-44°	13-15°	D37Q
Talc, 1/2" screenings	80-90	20-29°	—	C25
Talc, 1-1/2" to 3" lumps	85-95	20-29°	—	D25
Titanium dioxide	140	30-44°	—	B36
Titanium sponge	60-70	45°	—	E47
Tobacco scraps	15-25	45°	—	D45Y
Tobacco stems	15	45°	—	E45Y
Traprock, 1/2" screenings	90-100	30-44°	—	C37
Traprock, 2" to 3" lumps	100-110	30-44°	—	D37
Trisodium phosphate, granular	60	30-44°	11°	B35
Trisodium phosphate, pulverized	50	40°	25°	B35
Vermiculite, expanded	16	45°	—	C45Y
Vermiculite ore	70-80	—	20°	D36Y
Walnut shells, crushed	35-45	30-44°	—	B37
Wood chips	10-30	45°	27°	E45WY
Wood chips, hogged, fuel	15-25	45°	—	D45
Zinc concentrates	75-80	—	—	B26
Zinc ore, crushed	160	38°	22°	①
Zinc ore, roasted	110	38°	—	C36
Zinc oxide, heavy	30-35	45-55°	—	A45X
Zinc oxide, light	10-15	45°	—	A45XY

① May vary considerably — consult a CEMA member.

Rex Idlers Selection

Table 2
Belt Capacity — 20° Troughing Idlers — Equal Length Rolls

Belt Width (in)	Surcharge Angle Degrees	Cross Sectional Area Square Feet	Design Capacity — Short Tons (2000 lbs) per Hour — 100 Pounds per Cubic Foot Material												Max. Lump Size Largest Dimensions (in)			
			Belt Speed — Feet per Minute (Suggested Speeds — See Footnotes)												10% Lumps 90% Fines		All Lumps No Fines	
			50	100	150	200	250	300	350	400	500	600	700	800	20°	30°	20°	30°
18	0	0.090	14	27	41	54	68	81	95③	108②	135①	162	189	216	6	3	4	2
	5	0.109	16	33	49	65	82	98	114③	131②	164①	196	229	262				
	10	0.128	19	38	58	77	96	115	134③	154②	192①	230	269	307				
	20	0.168	25	50	76	101	126	151	176③	202②	252①	302	353	403				
	25	0.188	28	56	85	113	141	169	197③	226②	282①	338	395	451				
20	0	0.115	17	35	52	69	86	104	121③	138②	173①	207	242	276	6	3-1/2	4	2
	5	0.139	21	42	63	83	104	125	146③	167②	209①	250	292	334				
	10	0.163	24	49	73	98	122	147	171③	196②	245①	293	342	391				
	20	0.213	32	64	96	128	160	192	224③	256②	320①	383	447	511				
	25	0.239	36	72	108	143	179	215	251③	287②	359①	430	502	574				
24	0	0.266	40	80	120	160	200	239	279③	319②	399①	479	559	638	8	4	5	2-1/2
	5	0.209	31	63	94	125	157	188	219	251	314③	376②	439①	502				
	10	0.246	37	74	111	148	185	221	258	295	369③	443②	517①	590				
	20	0.321	48	96	144	193	241	289	337	385	482③	578②	674①	770				
	25	0.360	54	108	162	216	270	324	378	432	540③	648②	756①	864				
30	0	0.285	43	86	128	171	214	257	299	342	428③	513②	599①	684	10	5	6	3
	5	0.342	51	103	154	205	257	308	359	410	513③	616②	718①	821				
	10	0.402	60	121	181	241	302	361	422	482	603③	724②	844①	965				
	20	0.523	78	157	235	314	392	471	549	628	785③	941②	1098①	1125				
	25	0.586	88	176	264	352	440	527	615	703	879③	1055②	1231①	1406				
36	0	0.649	97	195	292	389	487	584	681	779	974③	1168②	1363①	1558	12	6	7	3-1/2
	5	0.423	63	127	190	254	317	381	444	508	635③	761②	888①	1015				
	10	0.508	76	152	229	305	381	457	533	610	762③	914②	1067①	1219				
	20	0.596	89	179	268	358	447	536	626	715	894③	1073②	1252①	1430				
	25	0.774	116	232	348	464	581	697	813	929	1161③	1393②	1625①	1858				
42	0	0.867	130	260	390	520	650	780	910	1040	1301③	1561②	1821①	2081	14	7	8	4
	5	0.961	144	288	432	577	721	865	1009	1153	1442③	1730②	2018①	2306				
	10	0.829	124	249	373	497	622	746	870	995	1244	1492③	1741②	1990①				
	20	1.074	161	322	483	644	806	967	1128	1289	1611	1933③	2255②	2578①				
	25	1.201	180	361	540	721	901	1082	1262	1442	1802	2163③	2523②	2884①				
48	0	1.333	200	400	600	800	1000	1200	1400	1600	2000	2399③	2799②	3199①	16	8	10	5
	5	0.782	117	235	352	469	587	704	821	938	1173	1408③	1642②	1877①				
	10	0.939	140	282	422	564	705	845	987	1128	1409	1681③	1973②	2255①				
	20	1.099	165	330	495	659	824	989	1154	1319	1649	1978③	2308②	2638①				
	25	1.424	214	427	641	854	1068	1282	1495	1709	2136	2563③	2990②	3418①				
54	0	1.592	238	476	714	952	1190	1428	1666	1904	2380	2857③	3332②	3808①	18	9	11	5-1/2
	5	1.765	265	530	794	1059	1324	1589	1853	2118	2648	3177③	3707②	4236①				
	10	1.002	150	301	451	601	752	902	1052	1202	1503	1804③	2104②	2405①				
	20	1.204	180	360	542	722	903	1084	1264	1445	1806	2167③	2529②	2890①				
	25	1.407	211	422	633	844	1055	1266	1477	1688	2111	2533③	2955②	3377①				
60	0	1.823	273	547	820	1094	1367	1641	1914	2188	2735	3281③	3828②	4375①	20	10	12	6
	5	2.037	306	612	916	1222	1528	1833	2139	2444	3056	3667③	4278②	4889①				
	10	2.259	339	678	1017	1355	1694	2033	2372	2711	3389	4066③	4744②	5422①				
	20	1.250	188	375	563	750	938	1125	1313	1500	1875	2250③	2625②	3000①				
	25	2.537	380	761	1142	1522	1903	2283	2664	3045	3806	4567③	5328②	6090①				
72	0	2.813	422	844	1266	1688	2110	2532	2954	3376	4220	5063③	5907②	6751①	24	12	14	7
	5	1.826	274	548	822	1096	1370	1643	1917	2191	2739	3287③	3835②	4382①				
	10	2.192	328	656	986	1315	1644	1973	2302	2631	3289	3941③	4604②	5262①				
	20	2.560	384	768	1152	1536	1920	2304	2688	3072	3840	4608③	5376②	6144①				
	25	3.313	497	994	1491	1988	2485	2982	3479	3976	4970	5963③	6957②	7951①				
84	0	3.702	555	1110	1665	2221	2776	3332	3887	4442	5552	6663③	7773②	8884①	26	13	15	7-1/2
	5	4.103	615	1231	1846	2462	3077	3693	4308	4924	6155	7385③	8616②	9847①				
	10	2.513	377	754	1131	1508	1885	2262	2639	3016	3770	4523③	5277②	6031①				
	20	3.014	452	904	1356	1808	2260	2713	3165	3617	4521	5425③	6329②	7234①				
	25	3.519	528	1056	1584	2112	2639	3167	3695	4223	5278	6334③	7390②	8446①				
96	0	4.551	683	1365	2048	2731	3413	4096	4779	5461	6827	8192③	9557②	10922①	28	14	16	8
	5	5.085	763	1525	2288	3051	3814	4576	5339	6102	7627	9153③	10678②	12204①				
	10	5.685	845	1690	2536	3381	4226	5071	5917	6762	8452	10143③	11833②	13524①				
	20	3.308	496	992	1489	1985	2481	2977	3473	3970	4962	5954③	6947②	7939①				
	25	3.967	595	1190	1785	2380	2975	3570	4165	4760	5950	7141③	8331②	9521①				
30	4.631	695	1389	2084	2779	3473	4168	4863	5557	6946	8336③	9725②	11114①					
35	5.986	898	1796	2694	3692	4690	5387	6285	7183	8979	10775③	12571②	14366①					
40	6.687	1003	2006	3009	4012	5015	6018	7021	8024	10030	12037③	14043②	16049①					
45	7.411	1112	2223	3335	4447	5558	6670	7782	8893	11117	13340③	15563②	17786①					

Material Flowability and Abrasiveness.

- ① Grain or other Free Flowing, Non-Abrasive Materials.
- ② Coal, Damp Clay, Soft Ores, Overburden and Earth, Fine Crushed Stone.
- ③ Heavy, Hard, Sharp-Edged Ore, Coarse Crushed Stone.

NOTE: A Minimum Speed of 300 FPM is recommended for proper discharge.

Suggested Belt Speeds for Other Conditions:

- Fine, Dry, Dusty or Fluffy Material 100-200 FPM Maximum.
- Fragile Materials where degradation is harmful 150-250 FPM Maximum.
- Wet Materials or materials which tend to cling to belt 300 FPM Min.

Rex Idlers Selection

Table 3
Belt Capacity — 35° Troughing Idlers — Equal Length Rolls

Belt Width (in)	Surcharge Angle Degrees	Cross Sectional Area Square Feet	Design Capacity — Short Tons (2000 lbs) per Hour — 100 Pounds per Cubic Foot Material												Max. Lump Size Largest Dimensions (in)			
			Belt Speed — Feet per Minute (Suggested Speeds — See Footnotes)												10% Lumps 90% Fines		All Lumps No Fines	
			50	100	150	200	250	300	350	400	500	600	700	800	20°	30°	20°	30°
18	0	0.144	22	43	65	86	108	130	151 ^③	173 ^②	216 ^①	259	302	346	6	3	4	2
	5	0.161	24	48	72	97	121	145	169 ^③	193 ^②	242 ^①	290	338	386				
	10	0.178	27	53	80	107	134	160	187 ^③	214 ^②	267 ^①	320	374	427				
	20	0.212	32	64	95	127	159	191	223 ^③	254 ^②	318 ^①	382	445	509				
	25	0.231	35	69	104	139	173	208	243 ^③	277 ^②	347 ^①	416	485	554				
20	0	0.249	37	75	112	149	187	224	261 ^③	299 ^②	374 ^①	448	523	598	6	3-1/2	4	2
	5	0.184	28	55	83	110	138	166	193 ^③	221 ^②	276 ^①	331	386	442				
	10	0.226	34	68	102	136	170	203	237 ^③	271 ^②	339 ^①	407	475	542				
	20	0.270	41	81	122	162	203	242	284 ^③	324 ^②	405 ^①	486	567	648				
	25	0.293	44	88	132	176	220	264	308 ^③	352 ^②	440 ^①	527	615	703				
24	0	0.316	47	95	142	190	237	284	332 ^③	379 ^②	474 ^①	569	664	758	8	4	5	2-1/2
	5	0.278	42	83	125	167	209	250	292	334	417 ^③	500 ^②	584 ^①	667				
	10	0.309	46	93	139	185	232	278	324	371	464 ^③	556 ^②	649 ^①	742				
	20	0.341	51	102	153	205	256	307	358	409	512 ^③	614 ^②	716 ^①	818				
	25	0.406	61	122	183	244	305	365	426	487	609 ^③	731 ^②	853 ^①	974				
30	0	0.441	66	132	198	265	331	397	463	529	662 ^③	794 ^②	926 ^①	1058	10	5	6	3
	5	0.475	71	143	214	285	356	428	499	570	713 ^③	855 ^②	998 ^①	1140				
	10	0.558	84	167	251	335	419	502	586	670	837 ^③	1004 ^②	1172 ^①	1339				
	20	0.663	99	199	298	398	497	597	696	796	995 ^③	1193 ^②	1392 ^①	1591				
	25	0.718	108	215	323	431	539	646	754	862	1077 ^③	1291 ^②	1508 ^①	1723				
36	0	0.773	116	232	348	464	580	696	812	928	1160 ^③	1391 ^②	1623 ^①	1855	12	6	7	3-1/2
	5	0.676	101	203	304	406	507	608	710	811	1014 ^③	1217 ^②	1420 ^①	1622				
	10	0.750	113	225	338	450	563	675	788	900	1125 ^③	1350 ^②	1575 ^①	1800				
	20	0.827	124	248	372	496	620	744	868	992	1241 ^③	1489 ^②	1737 ^①	1985				
	25	0.981	147	294	441	589	736	883	1030	1177	1472 ^③	1766 ^②	2060 ^①	2354				
42	0	1.062	159	319	478	637	797	956	1115	1274	1593 ^③	1912 ^②	2230 ^①	2549	14	7	8	4
	5	1.143	171	343	514	686	857	1029	1200	1372	1715 ^③	2057 ^②	2400 ^①	2743				
	10	0.940	141	282	423	564	705	846	987	1128	1410	1692 ^③	1974 ^②	2256 ^①				
	20	1.043	156	313	469	626	782	939	1095	1252	1565	1877 ^③	2190 ^②	2503 ^①				
	25	1.148	172	344	517	689	861	1033	1205	1378	1722	2066 ^③	2411 ^②	2755 ^①				
48	0	1.361	204	408	612	817	1021	1225	1429	1633	2042	2450 ^③	2858 ^②	3266 ^①	16	8	10	5
	5	1.473	221	442	663	884	1105	1325	1547	1768	2210	2651 ^③	3093 ^②	3535 ^①				
	10	1.585	238	476	713	951	1189	1427	1664	1902	2378	2853 ^③	3329 ^②	3804 ^①				
	20	1.249	187	375	562	749	937	1124	1311	1499	1874	2248 ^③	2623 ^②	2998 ^①				
	25	1.383	207	415	622	830	1037	1245	1452	1660	2075	2489 ^③	2904 ^②	3319 ^①				
54	0	1.523	228	457	685	914	1142	1371	1599	1828	2285	2741 ^③	3198 ^②	3655 ^①	18	9	11	5-1/2
	5	1.804	271	541	812	1082	1353	1624	1894	2165	2706	3247 ^③	3788 ^②	4330 ^①				
	10	1.949	292	585	877	1170	1462	1755	2047	2340	2925	3509 ^③	4094 ^②	4680 ^①				
	20	2.100	315	630	945	1260	1575	1890	2205	2520	3150	3780 ^③	4410 ^②	5040 ^①				
	25	1.600	240	480	720	960	1200	1440	1680	1920	2400	2880 ^③	3360 ^②	3840 ^①				
60	0	1.774	266	532	798	1065	1330	1597	1863	2129	2661	3194 ^③	3726 ^②	4258 ^①	20	10	12	6
	5	1.950	293	585	878	1170	1463	1755	2048	2340	2925	3510 ^③	4095 ^②	4680 ^①				
	10	2.309	346	693	1039	1385	1732	2078	2424	2771	3464	4165 ^③	4849 ^②	5542 ^①				
	20	2.494	375	748	1122	1497	1871	2245	2620	2994	3742	4490 ^③	5239 ^②	5988 ^①				
	25	2.686	403	806	1209	1612	2015	2417	2820	3223	4029	4835 ^③	5641 ^②	6446 ^①				
72	0	1.992	299	598	896	1195	1494	1793	2092	2390	2988	3586 ^③	4183 ^②	4781 ^①	24	12	14	7
	5	2.211	331	662	995	1327	1658	1990	2322	2654	3317	3980 ^③	4644 ^②	5308 ^①				
	10	2.430	365	729	1094	1458	1823	2187	2552	2916	3645	4374 ^③	5103 ^②	5832 ^①				
	20	2.876	431	863	1294	1726	2157	2588	3020	3451	4314	5177 ^③	6040 ^②	6902 ^①				
	25	3.107	466	932	1498	1864	2330	2896	3262	3728	4660	5592 ^③	6525 ^②	7456 ^①				
84	0	3.345	502	1004	1505	2007	2509	3011	3512	4014	5018	6021 ^③	7025 ^②	8028 ^①	26	13	15	7-1/2
	5	2.913	437	874	1311	1748	2185	2622	3060	3496	4380	5245 ^③	6119 ^②	6993 ^①				
	10	3.220	484	968	1453	1937	2422	2907	3391	3875	4845	5813 ^③	6782 ^②	7751 ^①				
	20	3.547	532	1064	1596	2128	2660	3192	3724	4256	5321	6385 ^③	7449 ^②	8513 ^①				
	25	4.197	630	1259	1889	2518	3148	3777	4407	5036	6296	7555 ^③	8814 ^②	10073 ^①				
96	0	4.532	680	1360	2040	2720	3400	4080	4758	5439	6800	8158 ^③	9518 ^②	10878 ^①	28	14	16	8
	5	4.879	732	1464	2196	2927	3659	4391	5123	5855	7319	8782 ^③	10246 ^②	11710 ^①				
	10	4.007	601	1202	1803	2404	3005	3606	4207	4808	6010	7213 ^③	8415 ^②	9617 ^①				
	20	4.440	666	1332	1998	2664	3330	3996	4662	5328	6660	7992 ^③	9324 ^②	10656 ^①				
	25	4.776	731	1463	2194	2926	3657	4388	5120	5851	7314	8777 ^③	10240 ^②	11702 ^①				

Material Flowability and Abrasiveness.

- ① Grain or other Free Flowing, Non-Abrasive Materials.
- ② Coal, Damp Clay, Soft Ores, Overburden and Earth, Fine Crushed Stone.
- ③ Heavy, Hard, Sharp-Edged Ore, Coarse Crushed Stone.

NOTE: A Minimum Speed of 300 FPM is recommended for proper discharge.

Suggested Belt Speeds for Other Conditions:

- Fine, Dry, Dusty or Fluffy Material 100-200 FPM Maximum.
- Fragile Materials where degradation is harmful 150-250 FPM Maximum.
- Wet Materials or materials which tend to cling to belt 300 FPM Min.

Rex Idlers Selection

Table 4
Belt Capacity — 45° Troughing Idlers — Equal Length Rolls

Belt Width (in)	Surcharge Angle Degrees	Cross Sectional Area Square Feet	Design Capacity — Short Tons (2000 lbs) per Hour — 100 Pounds per Cubic Foot Material												Max. Lump Size Largest Dimensions (in)			
			Belt Speed — Feet per Minute (Suggested Speeds — See Footnotes)												10% Lumps 90% Fines		All Lumps No Fines	
			50	100	150	200	250	300	350	400	500	600	700	800	20°	30°	20°	30°
18	0	0.170	26	51	77	102	128	153	179 ^③	204 ^②	255 ^①	306	357	408	6	3	4	2
	5	0.185	28	56	83	111	139	167	194 ^③	222 ^②	278 ^①	333	389	444				
	10	0.200	30	60	90	120	150	180	210 ^③	240 ^②	300 ^①	360	420	480				
	20	0.230	35	69	104	138	173	207	242 ^③	276 ^②	345 ^①	414	483	552				
	25	0.246	37	74	111	148	185	221	258 ^③	295 ^②	369 ^①	443	517	590				
20	0	0.217	33	65	98	130	163	195	228 ^③	260 ^②	326 ^①	391	456	521	6	3-1/2	4	2
	5	0.236	35	71	106	142	177	212	246 ^③	283 ^②	354 ^①	425	496	566				
	10	0.254	38	76	114	152	191	229	267 ^③	305 ^②	381 ^①	457	533	610				
	20	0.293	44	88	132	176	220	264	308 ^③	352 ^②	440 ^①	527	615	703				
	25	0.313	47	94	141	188	235	282	329 ^③	376 ^②	470 ^①	563	657	751				
24	0	0.327	49	98	147	196	245	294	343	392	491 ^③	589 ^②	687 ^①	785	8	4	5	2-1/2
	5	0.355	53	107	160	213	266	320	373	426	533 ^③	639 ^②	746 ^①	852				
	10	0.383	57	115	172	230	287	345	402	460	575 ^③	689 ^②	804 ^①	919				
	20	0.440	66	132	198	264	330	396	462	528	660 ^③	792 ^②	924 ^①	1056				
	25	0.470	71	141	212	282	353	423	494	564	705 ^③	846 ^②	987 ^①	1128				
30	0	0.499	75	150	225	299	374	449	524	599	749 ^③	898 ^②	1048 ^①	1198	10	5	6	3
	5	0.536	80	161	241	322	402	482	563	643	804 ^③	965 ^②	1126 ^①	1286				
	10	0.580	87	174	261	348	435	522	609	696	870 ^③	1044 ^②	1218 ^①	1392				
	20	0.625	94	188	281	375	469	563	656	750	938 ^③	1125 ^②	1313 ^①	1500				
	25	0.716	107	215	322	430	537	644	752	859	1074 ^③	1289 ^②	1504 ^①	1718				
36	0	0.764	115	229	344	458	573	688	802	917	1146 ^③	1375 ^②	1604 ^①	1834	12	6	7	3-1/2
	5	0.812	122	244	365	487	609	731	853	974	1218 ^③	1462 ^②	1705 ^①	1949				
	10	0.795	119	239	358	477	596	716	835	954	1193 ^③	1431 ^②	1670 ^①	1908				
	20	0.926	139	278	417	556	695	833	972	1111	1389 ^③	1667 ^②	1945 ^①	2222				
	25	1.060	159	318	477	636	795	954	1113	1272	1590 ^③	1908 ^②	2226 ^①	2544				
42	0	1.131	170	339	509	679	848	1018	1188	1357	1697 ^③	2036 ^②	2375 ^①	2714	14	7	8	4
	5	1.201	180	360	540	721	901	1081	1261	1441	1802 ^③	2162 ^②	2522 ^①	2882				
	10	1.106	166	332	498	664	830	995	1161	1327	1659	1991 ^③	2323 ^②	2654 ^①				
	20	1.286	193	386	579	772	965	1157	1350	1543	1929	2315 ^③	2701 ^②	3086 ^①				
	25	1.471	221	441	662	883	1103	1324	1545	1765	2207	2648 ^③	3089 ^②	3530 ^①				
48	0	1.568	235	470	706	941	1176	1411	1646	1882	2352	2822 ^③	3293 ^②	3763 ^①	16	8	10	5
	5	1.665	250	500	749	999	1249	1499	1748	1998	2498	2997 ^③	3497 ^②	3996 ^①				
	10	1.467	220	440	660	880	1100	1320	1540	1760	2201	2641 ^③	3081 ^②	3521 ^①				
	20	1.584	238	475	713	950	1188	1426	1663	1901	2376	2851 ^③	3326 ^②	3802 ^①				
	25	1.705	256	512	767	1023	1279	1535	1790	2046	2558	3069 ^③	3581 ^②	4092 ^①				
54	0	1.948	292	585	877	1169	1461	1753	2045	2338	2922	3507 ^③	4091 ^②	4676 ^①	18	9	11	5-1/2
	5	2.076	311	623	934	1246	1557	1868	2180	2491	3114	3737 ^③	4360 ^②	4982 ^①				
	10	2.204	331	661	992	1322	1653	1984	2314	2645	3306	3967 ^③	4628 ^②	5290 ^①				
	20	1.879	282	563	845	1128	1410	1691	1973	2255	2819	3383 ^③	3947 ^②	4510 ^①				
	25	2.030	304	609	914	1218	1523	1827	2132	2436	3046	3655 ^③	4264 ^②	4873 ^①				
60	0	2.182	327	655	982	1309	1637	1964	2291	2618	3273	3928 ^③	4582 ^②	5237 ^①	20	10	12	6
	5	2.493	374	748	1122	1496	1870	2244	2618	2992	3740	4487 ^③	5235 ^②	5983 ^①				
	10	2.656	398	796	1194	1592	1990	2388	2786	3184	3980	4776 ^③	5572 ^②	6368 ^①				
	20	2.819	423	846	1269	1691	2114	2537	2960	3383	4229	5074 ^③	5920 ^②	6766 ^①				
	25	3.342	351	702	1054	1405	1757	2108	2459	2810	3513	4215 ^③	4919 ^②	5621 ^①				
72	0	2.529	379	758	1138	1518	1897	2277	2656	3036	3796	4554 ^③	5313 ^②	6072 ^①	24	12	14	7
	5	2.718	408	815	1223	1631	2039	2446	2854	3262	4077	4892 ^③	5708 ^②	6523 ^①				
	10	3.104	466	931	1397	1862	2328	2794	3259	3725	4656	5587 ^③	6518 ^②	7450 ^①				
	20	3.303	496	991	1487	1982	2478	2973	3469	3965	4956	5947 ^③	6938 ^②	7929 ^①				
	25	3.510	527	1053	1580	2106	2633	3159	3686	4212	5265	6318 ^③	7371 ^②	8424 ^①				
84	0	3.420	513	1026	1539	2052	2565	3078	3591	4104	5130	6156 ^③	7182 ^②	8208 ^①	26	13	15	7-1/2
	5	3.693	554	1108	1662	2216	2770	3324	3878	4432	5540	6648 ^③	7756 ^②	8864 ^①				
	10	3.967	595	1190	1785	2380	2975	3570	4165	4760	5951	7141 ^③	8331 ^②	9521 ^①				
	20	4.528	679	1358	2038	2717	3396	4075	4754	5434	6792	8150 ^③	9509 ^②	10867 ^①				
	25	4.818	722	1445	2168	2891	3614	4336	5059	5782	7228	8673 ^③	10118 ^②	11564 ^①				
96	0	5.118	768	1535	2303	3071	3839	4606	5374	6142	7677	9212 ^③	10748 ^②	12283 ^①	28	14	16	8
	5	4.702	705	1411	2116	2821	3527	4232	4937	5642	7053	8464 ^③	9874 ^②	11285 ^①				
	10	5.076	761	1523	2284	3045	3807	4568	5330	6091	7614	9137 ^③	10660 ^②	12182 ^①				
	20	5.452	818	1635	2453	3211	4089	4907	5725	6542	8178	9813 ^③	11449 ^②	13085 ^①				
	25	6.220	933	1866	2799	3732	4665	5598	6531	7464	9330	11196 ^③	13062 ^②	14928 ^①				

Material Flowability and Abrasiveness.

- ① Grain or other Free Flowing, Non-Abrasive Materials.
 - ② Coal, Damp Clay, Soft Ores, Overburden and Earth, Fine Crushed Stone.
 - ③ Heavy, Hard, Sharp-Edged Ore, Coarse Crushed Stone.
- NOTE:** A Minimum Speed of 300 FPM is recommended for proper discharge.

Suggested Belt Speeds for Other Conditions:

- Fine, Dry, Dusty or Fluffy Material 100-200 FPM Maximum.
- Fragile Materials where degradation is harmful 150-250 FPM Maximum.
- Wet Materials or materials which tend to cling to belt 300 FPM Min.

Rex Idlers Selection

Selection Procedure — from CEMA Standard 502-1998

Rexnord is a member of CEMA — Conveyor Equipment Manufacturers Association. The following procedure is part of the CEMA standard for belt conveyor idlers. For more information, contact Rexnord.

Selection of the Rex idler series is based on the following factors: belt speed, belt weight, belt width, idler capacity, idler spacing, material lump size, type of service and environmental conditions.

Initial Selection: Steps 1 and 2

Select idler class by comparing calculated idler load (CIL and CILr) with idler load ratings from **Table 14 (page 129)**.

NOTE: When material to be conveyed is of an unusually abrasive, corrosive or sticky nature, refer to **Table 15 (page 130)** for idler roll recommendations.

Bearing L₁₀ Life Correction: Steps 3, 4 and 5

Factors K2 (figure 8) and K3A (figure 9) are multiplying factors used to adjust basic L₁₀ life rating of idler class selected. Factor K2 is based on percent of idler load and K3A is a factor for actual roll speed (rpm). Step 5, factor K3B, is an optional step showing the advantage of using larger diameter rolls. It can be used as a multiplier to save repeating Step 4 if a larger diameter roll is used.

Determine Potential Idler Life: Step 6

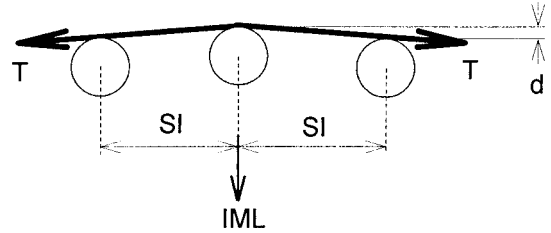
Factors K4A (figure 11), K4B (figure 12), and K4C (figure 13) show conditions which will affect idler life, but are independent of bearing L₁₀ life, idler load and idler class. Use these figures to evaluate the potential expected idler life. Contact Rexnord for recommendations.

Step 1. Troughing Idler Series Selection

$$CIL = ((Wb + (Wm \times K1)) \times SI) + IML$$

Where:

- CIL = calculated idler load, in pounds
- Wb = belt weight, in pounds per foot (**Table 5**)
- Wm = weight of material, in pounds per foot
= TPH x 33.34 FPM
- K1 = lump adjustment factor (see **Table 6, page 127**)
- SI = idler spacing, in feet (see **Table 7, page 127**)
- TPH = capacity, in short tons per hour
- FPM = belt speed, in feet per minute (selected from paragraph 3, **page 119**)
- IML = idler misalignment load, in pounds — caused by deviation in idler height and belt tension (see the following diagram and formula)



$$IML = (d \times T) \div (6 \times SI)$$

d = idler misalignment, in inches

T = belt tension, in pounds

SI = idler spacing, in feet

When an idler is higher than adjacent idlers, a component of belt tension will add load to that idler. The amount of height deviation can vary with the installation and type of idler. CEMA publications on conveyor installation standards list recommendations on structure misalignment.

NOTE: Use CIL and select proper series of idlers from **Table 14**. CIL value should be equal to or less than the idler load rating.

This troughing idler selection procedure for calculated idler load does not include the following:

1. Impact force on idler at conveyor loading points.
2. Effect of belt transitions (head and tail pulley) on idler load.

Table 5

Wb — Estimated Average Belt Weights (lb/ft.)
Multiple Ply & Reduced Ply Belts

Width Inches	Material Carried lb/cu.ft.		
	30-74	75-129	130-200
18	3.5	4	4.5
20	4	4.5	5
24	4.5	5.5	6
30	6	7	8
36	9	10	12
42	11	12	14
48	14	15	17
54	16	17	19
60	18	20	22
72	21	24	26
84	25	30	33
96	30	35	38

NOTES:

1. Steel Cable Belts — Increase above values by 50%.
2. Actual belt weights vary widely with different constructions, manufacturers, cover gauges, etc. Use the above values for estimating only and obtain actual values from the belt manufacturer whenever possible.

Rex Idlers Selection

Selection Procedure from CEMA Standard 502-1998

Table 6

K1 — Lump Adjustment Factor ①

Maximum Lump Size (in)	Material Weight lb/cu. ft.						
	50	75	100	125	150	175	200
4	1.00	1.00	1.00	1.00	1.10	1.10	1.10
6	1.00	1.00	1.00	1.10	1.10	1.10	1.10
8	1.00	1.00	1.10	1.10	1.10	1.20	1.20
10	1.00	1.10	1.10	1.10	1.20	1.20	1.20
12	1.00	1.10	1.10	1.20	1.20	1.20	1.30
14	1.10	1.10	1.10	1.20	1.20	1.30	1.30
16	1.10	1.10	1.20	1.20	1.30	1.30	1.40
18	1.10	1.10	1.20	1.20	1.30	1.30	1.40

① These factors are for average conditions. If lump percent, speed and/or sag are high consult Rexnord.

Table 7

SI — Recommended Average Spacing of Idlers (in feet)

Belt Width	Carrying Idlers						Return Idlers
	Weight of Material Conveyed lb/cu. ft.						
	30	50	75	100	150	200	
18	5-1/2	5	5	5	4-1/2	4-1/2	10
20	5-1/2	5	4-1/2	4-1/2	4	4	10
24	5	4-1/2	4-1/2	4	4	4	10
30	5	4-1/2	4-1/2	4	4	4	10
36	5	4-1/2	4	4	3-1/2	3-1/2	10
42	4-1/2	4-1/2	4	3-1/2	3	3	10
48	4-1/2	4	4	3-1/2	3	3	10
54	4-1/2	4	3-1/2	3-1/2	3	3	10
60	4	4	3-1/2	3	3	3	10
72	4	3-1/2	3-1/2	3	2-1/2	2-1/2	8
84	3-1/2	3-1/2	3	2-1/2	2-1/2	2	8
96	3-1/2	3-1/2	3	2-1/2	2	2	8

NOTES:

1. Loading Point (Impact Idlers) — Normally, one-half the carrying idler spacing is recommended. To ensure maximum belt protection for optimum life and to reduce skirtboard leakage, the impact idlers should be at least six-inch diameter and spaced at one-foot intervals.
2. Convex Vertical Curves — One-half of normal spacing unless radius is small, then space closer.

Step 2. Return Idler Series Selection

$$CILr = (SI \times Wb) + IML$$

Where:

CILr = calculated idler load for the return idlers, in pounds

SI = idler spacing, in feet (see **Table 7**)

Wb = belt weight, in pounds per foot (**Table 5, page 126**)

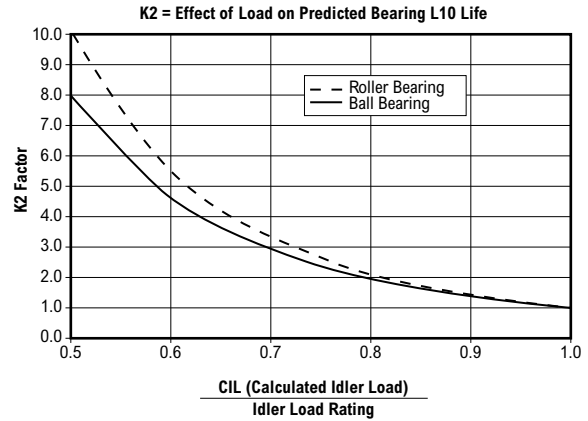
IML = idler misalignment load, in pounds — caused by deviation in idler height and belt tension. (calculate using the IML formula in Step 1)

Use CILr and select the proper series from **Table 14**. CILr should be equal to or less than the return idler load rating.

Step 3. K2 = Effect of load on predicted bearing life

When calculated idler load (CIL) is less than the load rating of the idler selected, the bearing L₁₀ life will increase.

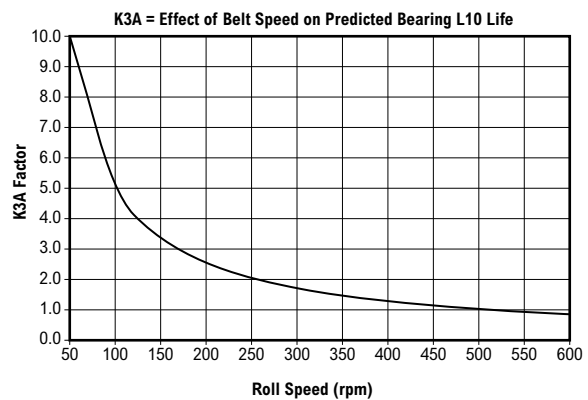
Figure 8



Step 4. 3A = Effect of belt speed on predicted bearing life

CEMA L₁₀ life ratings are based on 500 rpm. Slower speeds increase life and faster speeds decrease life. **Figure 9** shows this relationship.

Figure 9



$$RPM = \frac{\text{Belt Speed (fpm)} \times 12}{\text{Roll Dia. (in)} \times \pi}$$

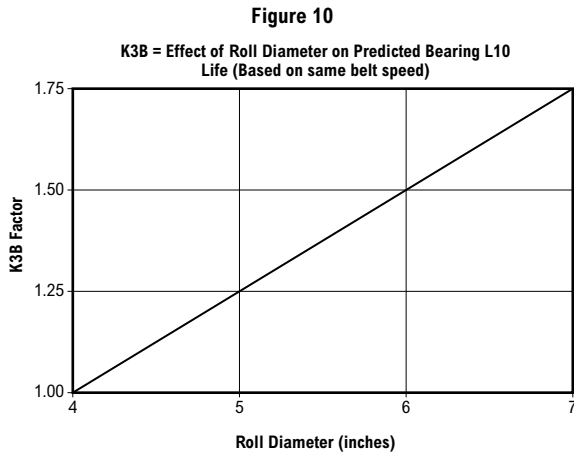
Rex Idlers Selection

Selection Procedure — from CEMA Standard 502-1998

Step 5. K3B = Effect of roll diameter on predicted bearing life

For a given belt speed, using larger diameter rolls will increase idler L₁₀ life. **Figure 10** depicts L₁₀ life adjustment for various roll diameters using a 4" diameter as a value of 1.0. Percent life increase can be calculated for each roll diameter increase.

Example: $\frac{1.5 \text{ for } 6" \text{ dia.}}{1.25 \text{ for } 5" \text{ dia.}} = 1.20$ for 20% increase in L₁₀ life.



Step 6. K4 = Environmental, maintenance and other conditions

Figure 11 K4A - Effect of maintenance on potential idler life

Figure 12 K4B - Effect of environment on potential idler life

Figure 13 K4C - Effect of operating temperature on potential idler life

Based on collective application experience by CEMA idler manufacturers, these conditions are very important in determining potential idler life. However, exact mathematical basis is very subjective, so contact Rexnord for assistance, or for any unusual conditions not listed.

Figure 11

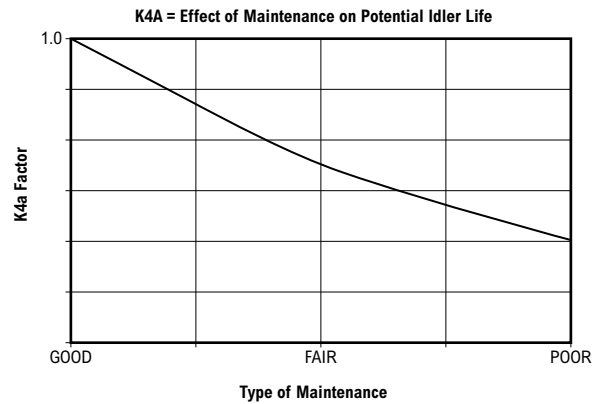


Figure 12

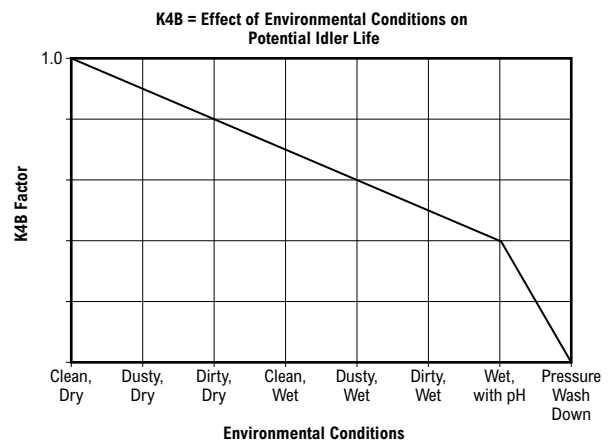
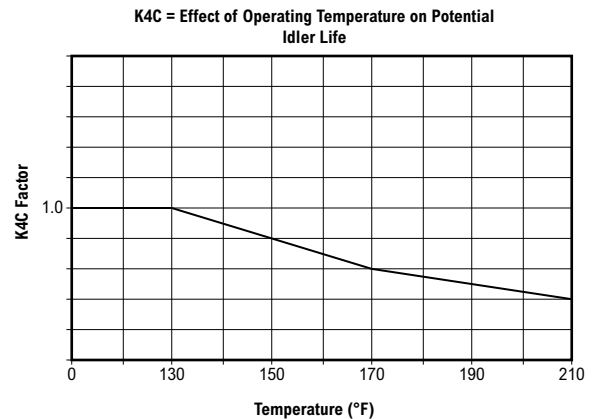


Figure 13



Rex Idlers Selection

Selection Procedure — from CEMA Standard 502-1998

Table 14

Idler Load Ratings (in pounds)

Belt Width	Trough Angle			Return	2 Roll V-Return
	20°	35°	45°		
Series B and B+ ①					
18	410	410	410	220	N/A
20	410	410	410	210	N/A
24	410	410	410	190	N/A
30	410	410	410	165	N/A
36	410	410	396	155	N/A
42	390	363	351	150 ②	N/A
48	380	353	342	125 ②	N/A
Series C					
18	900	900	900	475	500
20	900	900	900	400	500
24	900	900	900	325	500
30	900	900	900	250	500
36	900	837	810	200	500
42	850	791	765	150	500
48	800	744	720	125	500
54	750	698	675	375 ③	500
60	700	650	630	280 ③	500
Series D					
24	1200	1200	1200	600	850
30	1200	1200	1200	600	850
36	1200	1200	1200	600	850
42	1200	1200	1200	500	850
48	1200	1200	1200	425	850
54	1200	1116	1080	375	850
60	1150	1070	1035	280	850
72	1050	977	945	155	850
Series E					
36	1800	1800	1800	1000	N/A
42	1800	1800	1800	1000	N/A
48	1800	1800	1800	1000	N/A
54	1800	1800	1800	920	N/A
60	1800	1800	1800	850	N/A
72	1800	1800	1800	700	N/A
84	1800	1674	1620	550	N/A
96	1750	1628	1575	400	N/A

NOTES: Troughing idler load ratings are based on equal length roll idlers and are based on 70% of the load on the center roll.

CEMA Standard 502 specifies that the load ratings for B and C Series idlers shall be based on a minimum L₁₀ life of 30,000 hours; and the load ratings for D and E Series idlers shall be based on a minimum L₁₀ life of 60,000 hours. For all idlers, the L₁₀ life calculations are to be done at 500 rpm. B+ is a Rexnord exclusive, not a CEMA standard.

- ① Recommended maximum belt speed:
4" diam. roll — 500 fpm
5" diam. roll — 600 fpm
- ② These return idlers are series C.
- ③ These return idlers are series D.

Rex Idlers Selection

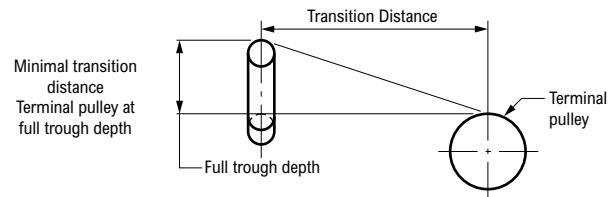
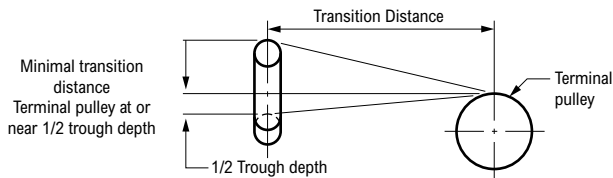
Table 15
Idler Roll Recommendations

Material Characteristics	Idler Roll Recommendations	
	Troughing or Flat	Return
NA — Non-Abrasive MA — Mildly Abrasive NC — Non-Corrosive MC — Mildly Corrosive	Standard — Steel	Standard — Steel
VA — Very Abrasive	Larger roll diameter Thicker roll shell — steel Coated roll Urethane cover	Rubber, Urethane, Rubber Spiral hicker roll shell — steel Larger roll diameter Coated roll (Ceramic) Urethane cover
VC — Very Corrosive	Thicker roll shell — steel Coated roll Urethane cover	Thicker roll shell — steel Coated roll (Ceramic) Urethane cover Rubber, Urethane, Rubber Spiral
Materials which adhere to belt and idlers.	Rubber Disc or Urethane disc Urethane cover	Rubber Disc or Rubber Spiral

Table 16
Terminals — Distance between nearest standard carrying idler and pulley

Carrying Idler Spacing at Terminals		
Troughing Angle	Distance in Inches Pulley to closest standard idler	Transition Idlers — If distance to the closest standard idler is greater than the recommended spacing in Table 17 below, the use of the following transition idlers are recommended.
20°	1.0 x belt width	—
35°	1.5 x belt width	20° idler
45°	2.0 x belt width	20° idler and 20° idler

Table 17
Recommended Minimum Transition Distance



Idler Angle	% Rated Tension	Fabric Belts	Steel Cable Belts
20°	Over 90	0.9b	2.0b
	60 to 90	0.8b	1.6b
	Less than 60	0.6b	1.0b
35°	Over 90	1.6b	3.4b
	60 to 90	1.3b	2.6b
	Less than 60	1.0b	1.8b
45°	Over 90	2.0b	4.0b
	60 to 90	1.6b	3.2b
	Less than 60	1.3b	2.3b

Idler Angle	% Rated Tension	Fabric Belts	Steel Cable Belts
20°	Over 90	1.8b	4.0b
	60 to 90	1.6b	3.2b
	Less than 60	1.2b	2.8b
35°	Over 90	3.2b	6.8b
	60 to 90	2.4b	5.2b
	Less than 60	1.8b	3.6b
45°	Over 90	4.0b	8.0b
	60 to 90	3.2b	6.4b
	Less than 60	2.4b	4.4b

b Belt width

Rex Idlers Specifications

Regreasable Idlers

Regreasable idlers are designed to provide positive through-lubrication to all bearings from a single fitting and are recommended for those installations where a regular re-lubrication program is scheduled.

Series B+

Idlers are Rexnord light-duty type conforming to the dimension requirements for CEMA B. The idlers exceed CEMA B load ratings by utilizing a CEMA C roll.

4" and 5" diameter rolls are manufactured from #9 gauge (0.149") welded steel tubing, counter-bored for deep drawn steel end discs which are welded in place assuring concentricity and balance. Total indicated runout to be 0.030" or less. Rolls shall have 3/4" hollow shafts to permit through-greasing and 3/4" tapered roller bearings designed to operate at 100% of the CEMA C rated idler load. Seals shall be of the five-passage horizontal labyrinth with wiper type. The combination outer seal and shield and inner seal are close tolerance injection-molded nonmetallic components.

The idler frame shall consist of an inverted angle, formed end and center brackets with slotted mounting pads. Frame strength shall be equal or greater than the CEMA B idler load ratings.

Gap between the center and end roll shall not exceed the following:

Roll Diameter (in)	Trough Angle	
	20°	30°
4	1/2"	17/32"
5	9/32"	5/16"

Positive roll retention locks are provided for end and center rolls. Roll locks are easily removeable for roll replacement. Both ends of the idler are equipped with a ball-check type grease fitting to allow lubrication from either side of the idler.

Series C and D Troughing Idler

Idlers are Rexnord medium-duty type conforming to the requirements for CEMA C in dimension. Rex Idlers meet or exceed CEMA load rating requirements. Available with 5" and 6" diameter rolls with single point through-greasing.

Rolls shall be manufactured from welded steel tubing. The 5" diameter roll shall have a wall thickness of #9 gauge (0.149") and the 6" diameter roll shall have a wall thickness of #8 gauge (0.165"). The roll shell shall be counter-bored for deep drawn steel end discs, which will be welded in place assuring concentricity and balance. T.I.R. to be 0.030" or less. Rolls shall have 3/4" diameter hollow shafts (1" diameter for Series D); to permit through-greasing and 3/4" tapered roller bearings designed to operate at 100% of the rated idler load. Seals shall be of the five-passage horizontal labyrinth with wiper type. The combination outer seal and shield and inner seal are close tolerance injection-molded nonmetallic components.

The idler frame shall consist of an inverted steel angle, end and center brackets and slotted mounting pads. Frame strength shall be equal to or greater than the CEMA D idler load ratings.

Gap between the center and end roll shall not exceed the following:

Roll Diameter (in)	Trough Angle		
	20°	20°	30°
5	5/16"	9/32"	5/16"
6	3/8"	7/32"	3/16"

Positive retention heavy-duty roll locks are to be provided for end and center rolls and are to be easily removable for roll replacement. Center roll locks are to provide support and protection for the through-grease connector tube.

Both ends of the idler are equipped with a ball-check type grease fitting to allow lubrication from either side of the idler.

Rex Idlers Specifications

Factory-Sealed Idlers — Rex Classic

Factory-sealed idlers are designed to provide longer roll life for those installations where a regular re-lubrication program will not be maintained.

Series B Troughing Idler

Idlers are Rexnord light-duty type conforming to the dimensional requirements for CEMA B. These idlers exceed CEMA B load ratings. Available in 4" and 5" diameter rolls.

Rolls are manufactured from #9 gauge (0.149") welded steel tubing, counter-bored for steel end discs. The end discs are pressed into the roll shell at which time the roll ends are formed to lock the disc securely, assuring concentricity and balance. The 17 mm solid shaft with ball bearings has dual shields and seals. An outer shield protects the bearing from larger contaminants.

The idler frame shall consist of an inverted steel angle, formed end and center brackets and slotted mounting pads. Frame strength shall be equal to or greater than the idler load ratings.

Gap between the center and end roll shall not exceed the following:

Roll Diameter (in)	Trough Angle	
	20°	30°
4	1/2"	17/32"
5	9/32"	5/16"

Positive roll retention is to be provided for end and center rolls, to be easily removable for roll replacement.

Series C and D Troughing Idler

Idlers are Rexnord medium-duty type conforming to the requirements for CEMA Series C in dimension. Available with 5" and 6" diameter rolls. Rex idlers meet or exceed CEMA load rating requirements.

Rolls shall be manufactured from welded steel tubing. The 5" diameter roll shall have a wall thickness of #9 Gauge (0.149") and the 6" diameter roll shall have a wall thickness of #8 Gauge (0.165"). The roll shell shall be counter-bored for deep drawn steel end discs, which will be welded in place assuring concentricity and balance. T.I.R. to be 0.030" or less. Rolls shall have 3/4" diameter solid shafts (1" diameter for Series D); and 3/4" tapered roller bearings designed to operate at 100% of the rated idler load. Seals shall be of the five-passage horizontal labyrinth with wiper type. The combination outer seal and shield and inner seal are close tolerance injection-molded nonmetallic components.

The idler frame shall consist of an inverted steel angle, end and center brackets and slotted mounting pads. Frame strength shall be equal to or greater than the CEMA D idler load ratings.

Gap between the center and end roll shall not exceed the following:

Roll Diameter (in)	Trough Angle		
	20°	20°	30°
5	5/16"	9/32"	5/16"
6	3/8"	7/32"	3/16"

Positive retention heavy-duty roll locks are to be provided for end and center rolls and are to be easily removable for roll replacement.

Specific Function Idlers

Return and Flat Idlers — Return and Flat idlers are to have the same specifications for roll construction as the troughing idlers. Hanger or support brackets shall have a strength equal to or greater than the idler load rating.

Impact Idlers — Troughing — To be used where the impact force exceeds 40 foot pounds. Impact idler rolls shall be of molded rubber specifically selected for shock absorbing characteristics, with alternate deep and shallow grooving for impact absorption, and press fit onto a steel inner tube.

Impact Idlers — Flat — Flat impact idler rolls are to have the same specifications as the troughing impact rolls, except they are to be mounted on a solid steel shaft with outboard roller bearing pillow blocks.

Spiral Return Idlers — Spiral return idlers shall consist of an extruded rubber, formed to fit over a heavy steel spiral which is welded to a steel inner tube. These idlers are to be used on unidirectional conveyors only.

Rubber Disc Return Idlers — Rubber disc return idlers shall have square-corner, abrasion-resistant rubber discs with an encapsulated steel ring to maintain a compression fit between the disc and inner tube.

Training Idlers (Positive Type) — Training idlers shall be provided with ball bearing activating rollers mounted on both ends of the idler frame. The idler frame shall be free to swivel within controlled limits about a pivot housing on tapered roller bearings. Belt travel one direction only.

Training Idlers (Actuating Shoe) — Training idlers shall be provided with actuating shoes mounted on both ends of the idler frame. The idler shall be free to swivel within controlled limits about a pivot housing on tapered roller bearings. Belt travel either direction.

Urethane-Covered Rolls — Rolls shall be standard steel idler rolls with a 1/8" or 1/4" thick bonded urethane covering for increased roll shell wear life. Rolls are interchangeable with standard roll assemblies of the same series.

Installation, Care and Maintenance

A belt conveyor is one of the most economical means of transporting bulk material. It can operate in almost any weather condition, and it can traverse terrain which would severely limit other means of transport. A belt conveyor system represents a substantial capital investment ... and it must be kept running to obtain full value.

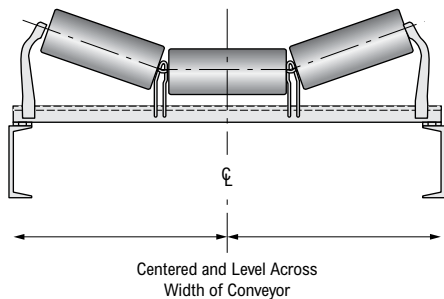
In a system, the belt can easily represent half the total conveyor cost ... and is the most fragile part of the conveyor. The structure and various mechanical components of a system serve primarily to drive, guide and protect the belt.

IMPORTANT — Safety Instructions

Compliance with safety standards, including OSHA and other Federal, State, local codes or regulations is the responsibility of the user of the conveyor installation. Placement of guards and other safety equipment in accordance with safety standards is dependent upon the area and use to which the system is put. A safety study should be made of the conveyor application and guards should be installed wherever appropriate. "Safety Standards For Conveyors And Related Equipment" ANSI B20.1 is a guide for safe construction, installation, operation and maintenance of conveyors and related equipment.

General Recommendations

1. Alignment of the structure is critical if the belt is to train properly on the idlers. Idler and pulley supports must be equidistant from the conveyor centerline and level across the conveyor width.



2. Pulley shaft assemblies must be square to centerline of conveyor, level and in-line.
3. Belt must be properly spliced so it runs straight and true.

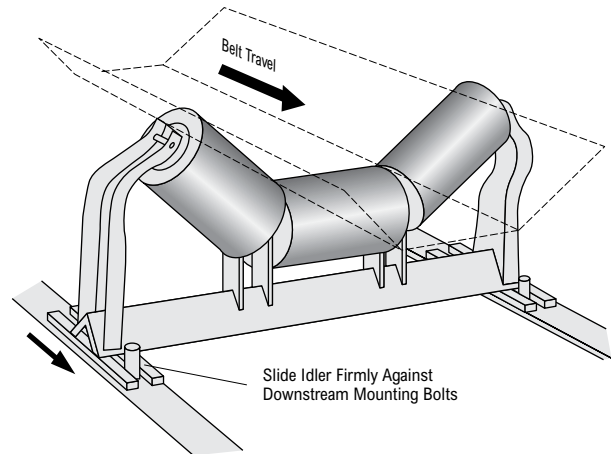
Storage and Preparation

Belt conveyor idlers are usually shipped to the job site mounted on skids and shrink-wrapped. As idlers often arrive well in advance of their installation, they should be stored under cover to protect them from exposure to the weather and other adverse conditions.

Prior to installation, check all idlers for evidence of damage to the rolls or frame due to mishandling. Check all rolls to make sure that they turn freely.

Installation

Place idlers in position by sliding them downstream, firmly against the mounting bolts and lightly tighten. Final alignment requires that the centerline of all idlers is in a straight line, perpendicular to the line of belt travel, properly spaced and level. When alignment is complete, bolt idlers securely in place.



Idler Alignment

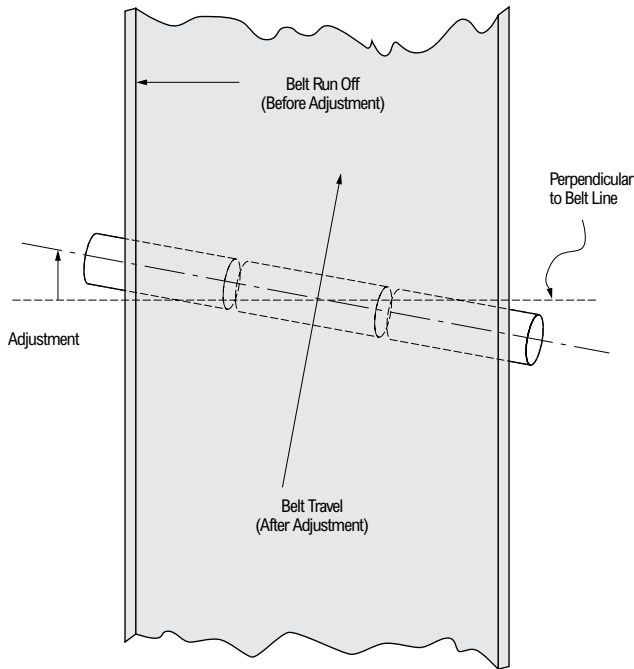
When the idlers and belt have been installed, the system should be started while empty and checked for alignment. A properly aligned conveyor has the belt running evenly in the center of the idlers and, therefore, prevents damage to the belt edges from contact with supporting structures or other objects. If a misalignment problem exists, it is not advisable to attempt to correct it by readjusting the head or tail pulley, as this will cause undue strains on the pulley bearings, belt, belt splice or joint, and on the conveyor frames. Pulleys should be carefully aligned when installed and should not be moved for purposes of belt training. (Continued)

Installation, Care and Maintenance

Idler Alignment — Cont'd

If one section of a belt runs true and another section runs out of line, either the belt is bowed from improper storage or handling or the belt is not properly spliced. If the belt runs out of line consistently at one point in the conveyor, the condition can be attributed to misaligned idlers. Usually the idlers that require adjustment will be located upstream of the point at which the belt runs out of line.

Proper alignment is achieved by loosening the mounting bolts on several idlers on the upstream side and skewing them slightly. When one side of an idler is shifted ahead of the other, the belt shifts to the side which is behind. Retighten the mounting bolts before restarting the conveyor.



Do not shift idlers on a reversing belt as this will detrain the belt when it travels in the opposite direction.

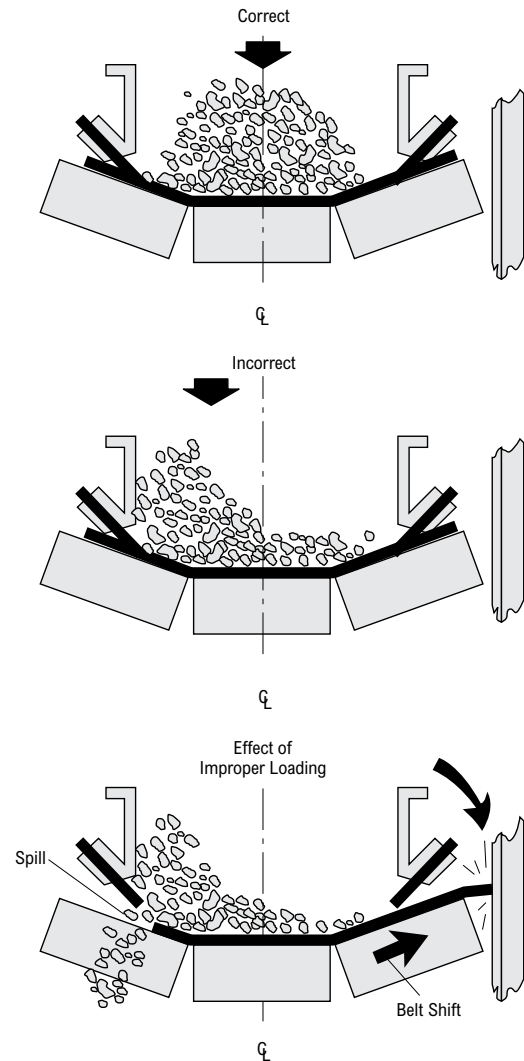
Once constant central alignment has been achieved on the return and carrying run with an empty belt, the conveyor should be checked while carrying a full load.

Loading

Start with a light load and gradually work up to the load that the conveyor was designed to handle. Check chutes to see that the material is being directed onto the center of the belt. Off-center loading is harmful to belt, idlers and shafting. An off-center load will affect belt alignment in that the belt will run off center. An on-center load will maintain belt alignment.

To ensure maximum belt protection for optimum life and to reduce skirtboard leakage, the impact idlers should be at least six-inch diameter and spaced at one-foot intervals.

Loading Of Material At Skirt Area



The loading area of a belt conveyor is the critical point. Here the conveyor receives its major abrasion and practically all of its impact. The ideal condition is to have the material pass from chute to belt at the same speed and direction of travel as the belt, with a minimum amount of impact, and to load the belt on center.

The skirts must be adjusted to prevent side spillage of material and to keep the load central on the belt. The maximum distance between skirtboards customarily is two-thirds the width of a troughed belt. It is desirable, when possible, to reduce this spacing to one-half the width of the troughed belt, especially for free-flowing materials.

The skirt lengths are designed to stop side spillage. The material should also be at rest on the belt before it reaches the end of the skirt. If the material is still tumbling as it passes the skirt end, the skirts should be lengthened.

Training Idlers

A properly aligned and centrally loaded belt will track in the center of the idlers without using training idlers. Training idlers are used to compensate for occasional irregular loading, the effects of wind and other varying conditions.

Installation, Care and Maintenance

Troughing Training Idlers

Troughing training idlers are installed along the conveyor length, as required, but not closer than 50 feet from a pulley. Positive arm types are used on belts traveling in one direction only. Actuating shoe types are used on reversing belts and on belts with traveling trippers or stackers.

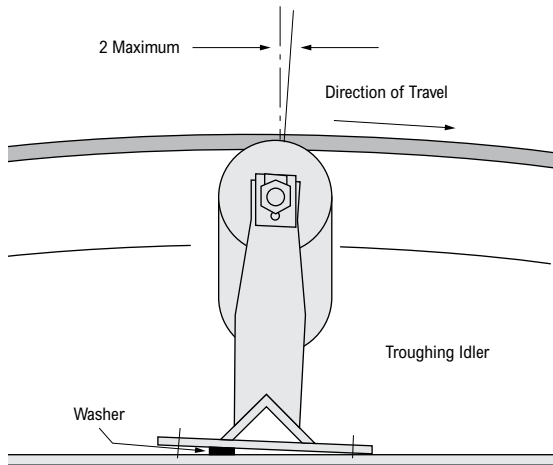
Return Training Idlers

Return training idlers are installed along the conveyor length, as required, but not closer than 50 feet from a pulley. Positive arm and inclined pivot types are used on belts traveling in one direction only; actuating shoe types are used on reversing belts.

Tilting Idlers

Tilting the troughing idlers forward (not over 2 degrees) in the direction of belt travel produces an aligning effect. This may be accomplished by placing a tilting block or steel washer under the rear of the idler stand. If the angle of tilt exceeds 2 degrees, excessive wear may occur on the belt and on the idler rolls, since the rolls are rotating on an axis which is not at right angles to the path of belt travel. This method has the advantage over shifting idlers in that it will correct movement on the belt before and after the idler, hence, it is useful for training erratic belts.

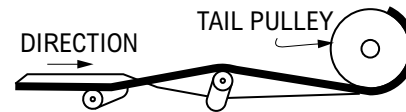
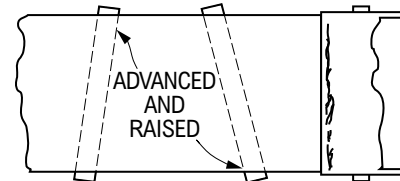
Both shifting and tilting idlers are unidirectional adjustments. They are obviously not effective for a reversing belt.



Return idlers cannot be tilted. However, by shifting their axis, they can be used to provide a corrective effect.

This can be done by slightly advancing and raising the alternate ends of the return rolls nearest the tail pulley. This can be done for expediency on a temporary basis. If this area is a training problem, a self-aligning return idler should be installed about the 2nd or 3rd idler from the tail pulley.

NOTE: Shifting or tilting of idlers for belt training can only be used for belts traveling in one direction only. This remedy cannot be used for reversing belt conveyors.



Installation, Care and Maintenance

Lubrication

All Rex idlers are prelubricated at the factory and are ready for operation. All external lubrication lines (if added by the customer) should be filled with grease when installed to ensure that the idlers will get grease when the lubrication cycle is started.

Under normal conditions, relubrication should be every 4000 to 6000 hours until a clean bead of grease appears around the final opening of each seal.

The lubrication cycle can be lengthened in applications where operating conditions are clean, dry, of moderate temperature and slow speed. The cycle should be shortened in applications where severe dirt, high humidity, elevated temperatures, high speeds, free water, prolonged shutdown, or other extreme conditions are encountered. Periodic inspection during the first few years of operation will provide the best determination of required relubrication frequency.

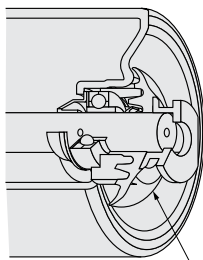
Rex idlers are greased at the factory with Lithium EP grease with a NLGI #2 consistency having the following characteristics:

1. Lithium soap base
2. Mineral oil
3. Worked penetration 265-295' 77°F
4. Operating range of +225°F to -10°F
5. Bleed rate 3% maximum

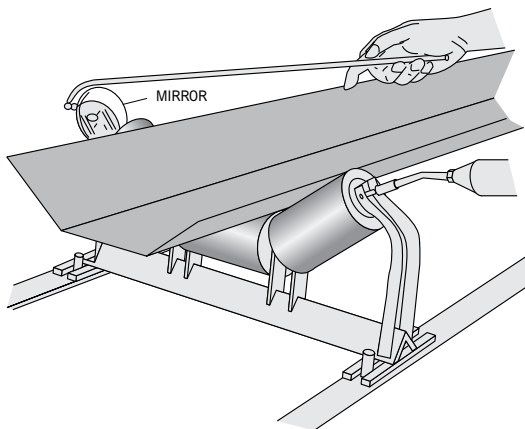
It is recommended that an equivalent grease be used. When using any other type of grease, it is imperative that it be compatible with the original grease.

When lubricating idlers, the use of high pressure equipment is not only unnecessary, but is actually undesirable unless used with great care. High pressure may cause damage to bearings and seals. It is recommended that a **VOLUME TYPE GREASE GUN BE USED:** one that delivers an ounce of grease per seven to ten strokes of the lever.

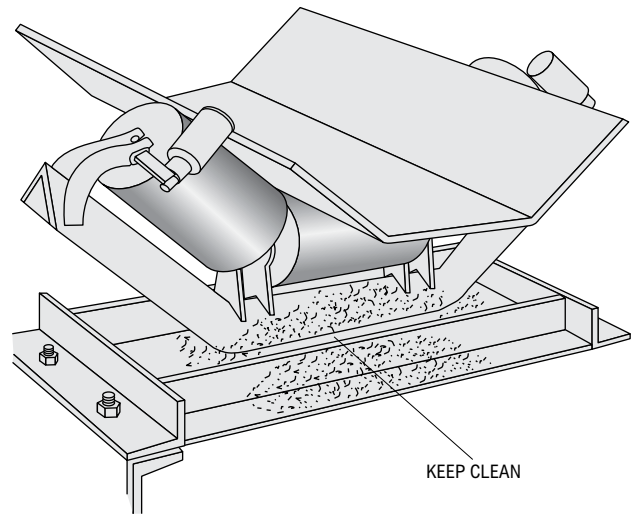
All fittings should be wiped clean before lubricating so as not to introduce dirt into the system.



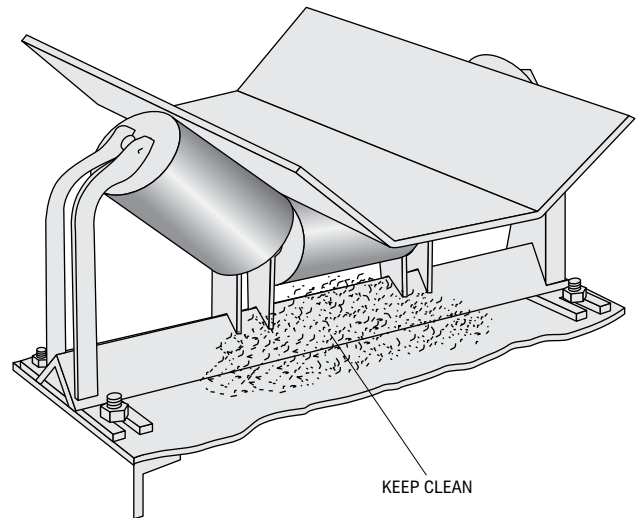
BEAD OF CLEAN GREASE



MIRROR



TROUGHING TRAINING IDLER



TROUGHING IDLER

Inspection and Maintenance

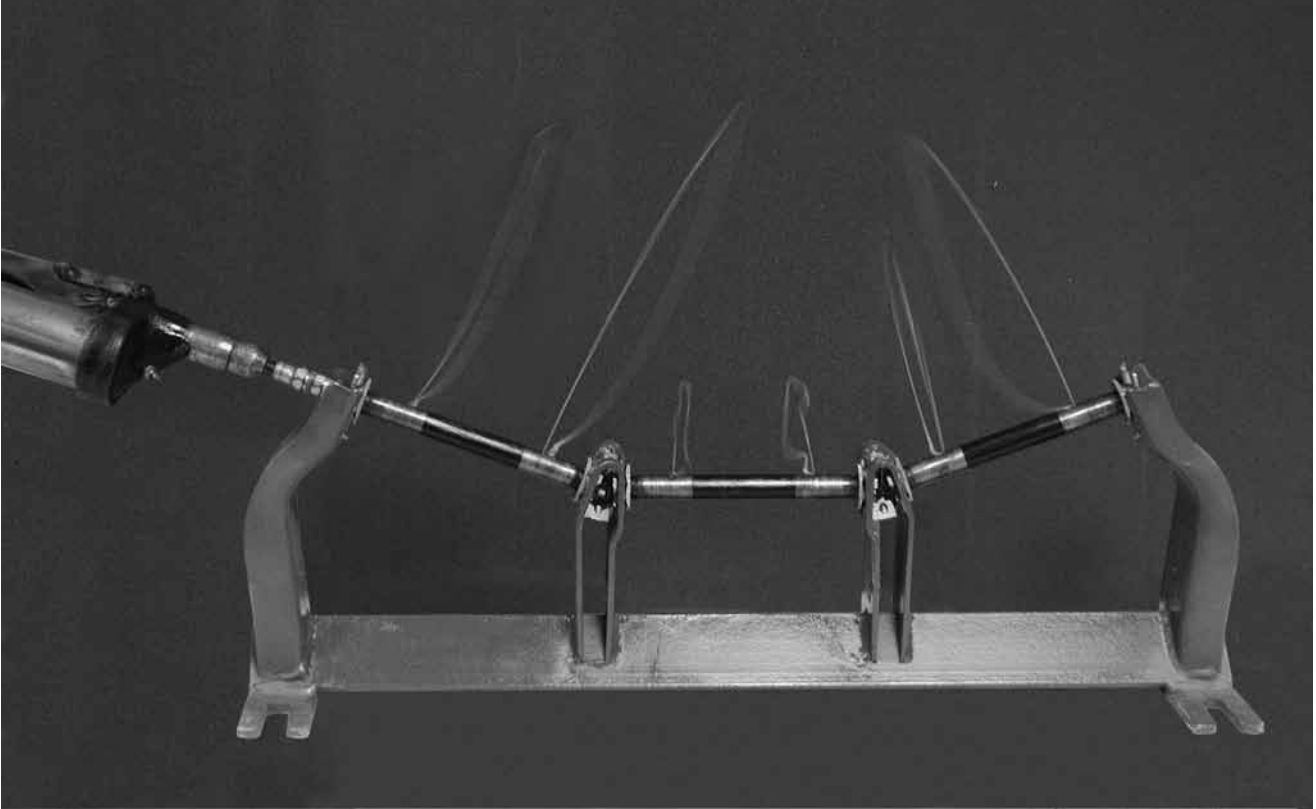
A scheduled maintenance program, followed faithfully by trained people, can usually help avoid costly interruptions in production and repairs to equipment. Many operators make a cursory check at least once a day to find obvious problems. A more comprehensive inspection is made at periodic intervals.

Inspection should entail the following:

1. Inspect belt for breaks and cuts or for indications that the belt edge is rubbing.
2. The belt should be centered on the idlers.
3. Check loading areas — material should be loaded evenly, and on the center of the belt.
4. Rubber skirts on chutes and skirt plates are adjusted to prevent spillage.
5. Belt cleaners are properly adjusted and working.
6. Rex Idlers are designed to be self cleaning. Accumulation of material must not be allowed to prevent idler rolls from rotating or training idlers from pivoting.
7. All idler rolls should be rotating. A stalled roll will cause excessive roll shell and belt wear and should be replaced.

Installation, Care and Maintenance

Effective Through-Greasing System

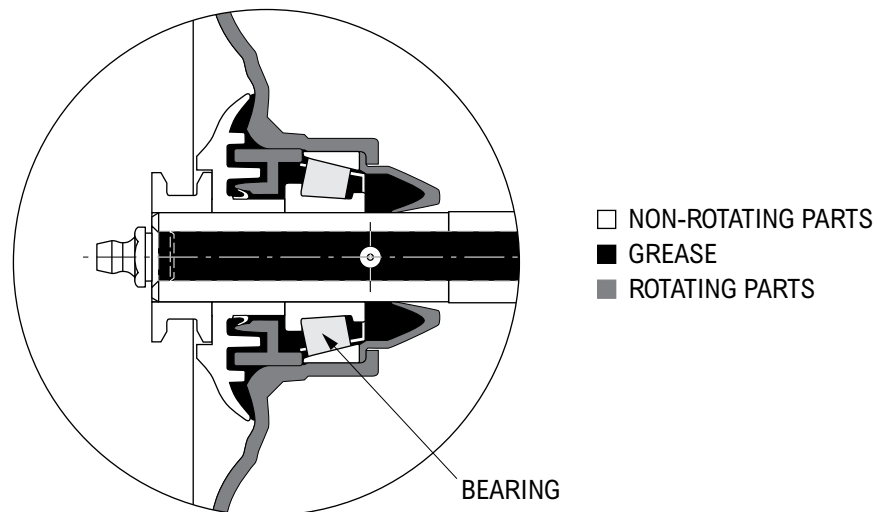


Effective Through-Greasing System

Rex patented metered greasing system makes use of an engineered grease restrictor in the shafts at each bearing. This develops equalized pressures throughout all roll shafts to provide grease to each bearing cavity without depending on the seals to pressurize the system.

This pressurized system within the shafts allows grease to flow to all bearings without high pressure buildup in the bearing cavities.

This system allows the grease to flow outward through the bearings and seals, purging them of detrimental contaminants that could stop bearing rotation.



Installation, Care and Maintenance

Belt Conveyor Troubleshooting

Any belt conveyor installation can be subject to a wide variety of problems which may become costly in terms of replacement and plant downtime unless quickly diagnosed and corrected. This guide is intended to point out the majority of belt conveyor problems and to set forth their probable causes and solutions.

Locate the specific problem in the "Problem" column below and note the numbers to the right. They represent the most likely causes for the problem, in order of probable occurrence, and how to correct them. The list following the table details the causes and solutions by number.

Common Belt Conveyor Problems

Problem	Cause and Solution In Order of Probable Occurrence					
	7	15	14	17	21	—
Belt runs off at tail pulley.	7	15	14	17	21	—
Entire belt runs off at all points of the conveyor.	26	17	15	21	4	16
One belt section runs off at all points of the conveyor.	2	11	1	—	—	—
Belt runs off at head pulley.	15	22	21	16	—	—
Belt runs to one side throughout entire length at specified idlers.	15	16	21	—	—	—
Belt slip.	19	7	21	14	22	—
Belt slip on start-up.	19	7	22	10	—	—
Excessive belt stretch.	13	10	21	6	9	8
Belt breaks at or behind fasteners; fasteners tear loose.	2	23	13	22	20	10
Vulcanized splice separation.	13	23	10	20	2	9
Excessive wear, including rips, gouges, ruptures and tears.	12	25	17	21	8	5
Excessive bottom cover wear.	21	14	5	19	20	22
Excessive edge wear, broken edges.	26	4	17	8	1	21
Cover swells in spots or streaks.	8	—	—	—	—	—
Belt hardens or cracks.	8	23	22	18	—	—
Covers become checked or brittle.	8	18	—	—	—	—
Longitudinal grooving or cracking of top cover.	27	14	21	12	—	—
Longitudinal grooving or cracking of bottom cover.	14	21	22	—	—	—
Fabric decay, carcass cracks, ruptures, gouges (soft spots in belt).	12	20	5	10	8	24
Ply separation.	13	23	11	8	3	—

Probable Causes and Solutions

- Belt bowed** — Avoid telescoping belt rolls or storing them in damp locations. A new belt should straighten out when "broken in" or it must be replaced.
- Belt improperly spliced or wrong fasteners** — Use correct fasteners. Retighten after running for a short while. If improperly spliced, remove belt splice and make new splice. Set up regular inspection schedule.
- Belt speed too fast** — Reduce belt speed.
- Belt strained on one side** — Allow time for new belt to "break in." If belt does not break in properly or is not new, remove strained section and splice in a new piece.
- Breaker strip missing or inadequate** — When service is lost, install belt with proper breaker strip.
- Counterweight too heavy** — Recalculate weight and adjust counterweight accordingly. (If using screw takeups, reduce takeup tension to point of slip, then tighten slightly.)
- Counterweight too light** — Recalculate weight required and adjust counterweight accordingly. (If using screw takeups, increase tension.)
- Damage by abrasives, acid, chemicals, heat, mildew, oil** — Use belt designed for specific condition. For abrasive materials working into cuts and between plies, make spot repairs with cold patch or with Permanent Repair Patch. Seal metal fasteners or replace with vulcanized step splice. Enclose conveyor for protection against rain, snow and sun. Don't over-lubricate idlers.
- Differential speed wrong on dual pulleys** — Make necessary adjustment.
- Drive underbeltd** — Recalculate maximum belt tensions and select correct belt. If conveyor is over-extended, consider using two-flight system with transfer point. If carcass is not rigid enough for load, install belt with proper flexibility when service is lost.

- Edge worn or broken** — Repair belt edge. Remove badly worn or out-of-square section and splice in a new piece.
- Excessive impact of material on belt or fasteners** — Use correctly designed chutes and baffles. Make vulcanized splices. Install impact idlers. Where possible, load fines first. Where material is trapped under skirts, adjust skirtboards to minimum clearance.
- Excessive tension** — Recalculate and adjust tension. Use vulcanized splice within recommended limits.
- Idler rolls not turning** — Correct or replace stalled rolls. Lubricate. Improve maintenance. (Don't over-lubricate.)
- Idlers or pulleys out-of-square with center line of conveyor** — Realign. Install limit switches for greater safety.
- Idlers improperly placed** — Relocate idlers or insert additional idlers spaced to support belt.
- Improper loading, spillage** — Feed should be in direction of belt travel and at belt speed, centered on the belt. Control flow with feeders, chutes and skirtboards.
- Improper storage or handling** — Refer to your belt supplier for storage and handling tips.
- Insufficient traction between belt and pulley** — Increase wrap with snub pulleys. Lag drive pulley. In wet conditions, use grooved lagging. Install correct cleaning devices on belt. Install centrifugal switch for safety.
- Material between belt and pulley** — Use skirtboards properly. Remove accumulation. Improve maintenance.
- Material build-up** — Remove accumulation. Install cleaning devices, scrapers, and inverted "V" decking. Improve housekeeping.
- Pulley lagging worn** — Replace worn pulley lagging. Use grooved lagging for wet conditions.
- Pulleys too small** — Use larger-diameter pulleys.
- Radius of convex vertical curve too small** — Increase radius by vertical realignment of idlers to prevent excessive edge tension.
- Relative loading velocity too high or too low** — Adjust chutes or correct belt speed. Consider use of impact idlers.
- Side loading** — Load in direction of belt travel, in center of conveyor.
- Skirts improperly placed** — Install skirtboards so that they do not rub against belt.



866-REXNORD/866-739-6673 (Within the U.S.)
414-643-2366 (Outside the U.S.)
www.rexnord.com

Why Choose Rexnord?

When it comes to providing highly engineered products that improve productivity and efficiency for industrial applications worldwide, Rexnord is the most reliable in the industry. Commitment to customer satisfaction and superior value extend across every business function.

Delivering Lowest Total Cost of Ownership

The highest quality products are designed to help prevent equipment downtime and increase productivity and dependable operation.

Valuable Expertise

An extensive product offering is accompanied by global sales specialists, customer service and maintenance support teams, available anytime.

Solutions to Enhance Ease of Doing Business

Commitment to operational excellence ensures the right products at the right place at the right time.

REXNORD

Rexnord Company Overview

Rexnord is a growth-oriented, multi-platform industrial company with leading market shares and highly trusted brands that serve a diverse array of global end markets.

Process & Motion Control

The Rexnord Process & Motion Control platform designs, manufactures, markets and services specified, highly engineered mechanical components used within complex systems where our customers' reliability requirements and the cost of failure or downtime are extremely high.

Water Management

The Rexnord Water Management platform designs, procures, manufactures and markets products that provide and enhance water quality, safety, flow control and conservation.